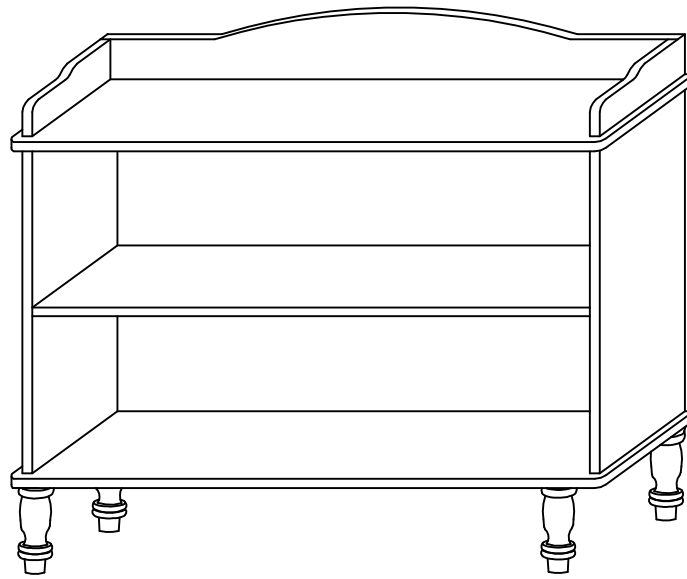


ASSEMBLY INSTRUCTIONS

Style # R1015&R1115 2 Tier Bookcase



NOTE TO CUSTOMERS:

- For ease and speed of assembly we recommend that before you commence each step of the assembly that you identify all the parts required to complete that step.
- We recommend that where possible you allow sufficient space to assemble the item as close as possible to the place where it will be once assembled.
- For the protection of your furniture we recommend that the product is placed on protected surfaces during assembly to prevent any damage.
- During assembly do not over tighten, as this may damage the product.
- Please ensure you retain all the product packaging until the item completely assembled.
- Please periodically check all fittings and re-tighten as necessary.
- Please never allow any liquids to remain on your furniture as absorption can cause the wood to warp or finish to de-laminate.
- It is recommended that this item should be assembled by two adults.

To insert a cam lock: (Please read below instructions before assembling)

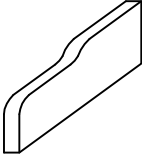

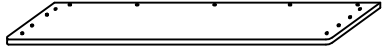
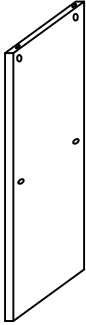
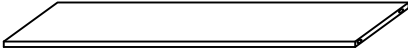
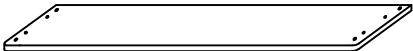

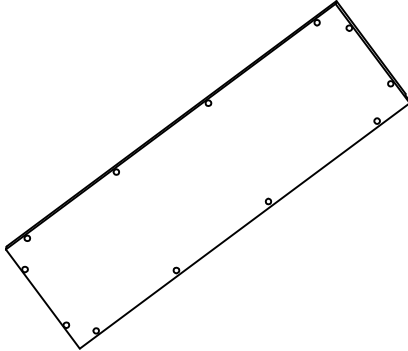
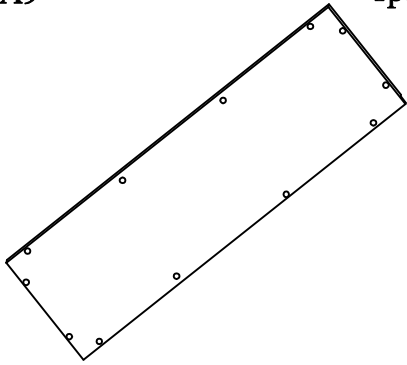
	<p style="text-align: center;">Diagram A</p>	<p>1. Insert cam screw into hole as shown in diagram A .</p>
	<p style="text-align: center;">Diagram B</p>	<p>Make sure not to insert the cam screw: Too deep as shown in figure B as this will cause the cam screw to be misaligned and unable to interlock properly.</p>
	<p style="text-align: center;">Diagram C</p>	<p>Also avoid inserting the cam screw too close to the surface of the hole as shown in figure C, as this will cause the cam lock to be too loose, and not interlock properly.</p>

	<p>2. Connect the panels together.</p>
<p style="text-align: center;">ARROW SIGN</p>	<p>3. When inserting the cam lock make sure the arrow of the cam lock faces the cam screw.</p>
	<p>4. To tighten the cam lock turn the cam lock clockwise 90-180 degree or until the arrow is facing opposite the place cam lock was inserted.</p>
<p>NOTE: DO NOT USE AN AUTOMATIC SCREWDRIVER TO TIGHTEN CAM LOCKS.</p>	


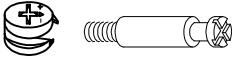
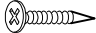

Note:

- Read these instructions carefully before assembling.
- Tools required : Phillips screwdriver, flat screwdriver.
- Find a clean, smooth area on which to work , such as a carpet, in order to avoid scratching the wood surfaces.
- Wait to dispose of the packing material until assembly is complete and all parts and hardware are accounted for.
- Two or more people might be required for assembly.


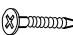
Part List:

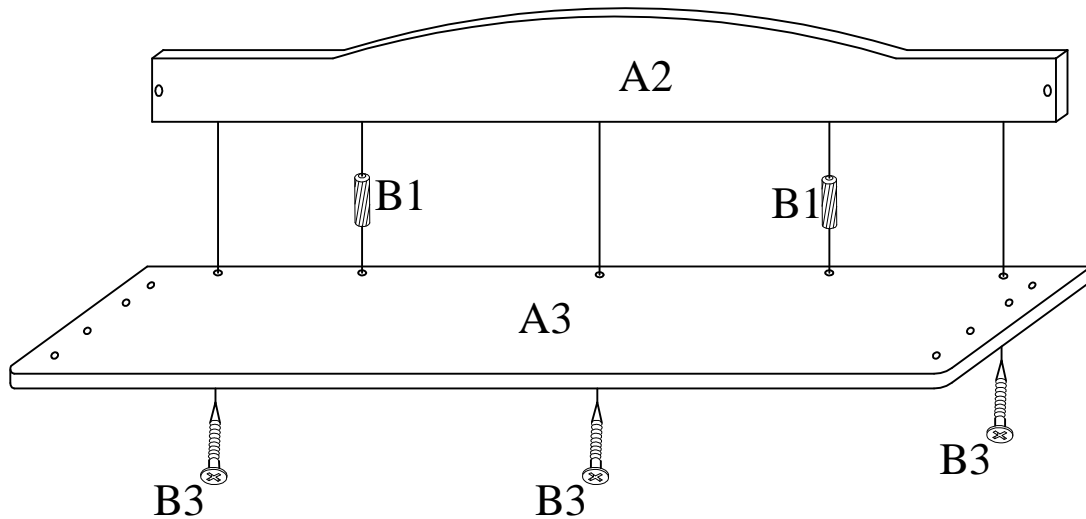
<p>A1</p> <p>2pcs</p>  <p>Side Apron</p>	<p>A2</p> <p>1pc</p>  <p>Back Apron</p>	<p>A3</p> <p>1pc</p>  <p>Top Panel</p>
<p>A4(L&R)</p> <p>2pcs</p>  <p>Side Panel</p>	<p>A5</p> <p>1pc</p>  <p>Middle Panel</p>	<p>A6</p> <p>1pc</p>  <p>Bottom Panel</p>
<p>A7</p> <p>4pcs</p>  <p>Leg</p>	<p>A8</p> <p>1pc</p>  <p>Back Panel</p>	<p>A9</p> <p>1pc</p>  <p>Back Panel</p>

Hardware List:

<p>B1</p> <p>14pcs</p>  <p>Wood Dowel</p>	<p>B2</p> <p>8sets</p>  <p>Camlock</p>	<p>B3</p> <p>13pcs</p>  <p>Long Screw</p>	<p>B4</p> <p>20pcs</p>  <p>Short Screw</p>
--	---	--	---


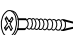
Step 1

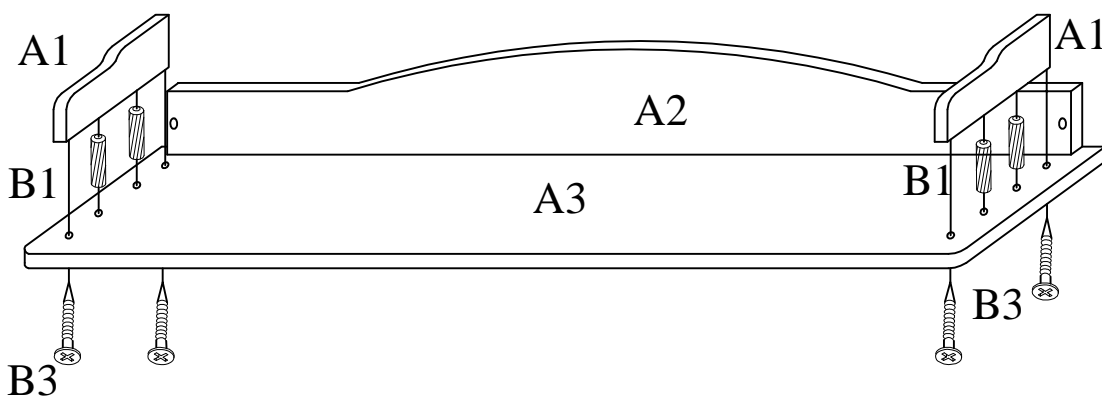
- | | | |
|-----|---|------|
| B1: |  | 2pcs |
| B3: |  | 3pcs |



Assemble Back Apron A2 to Top Panel A3 using Wood Dowels B1 and Screws B3.

Step 2

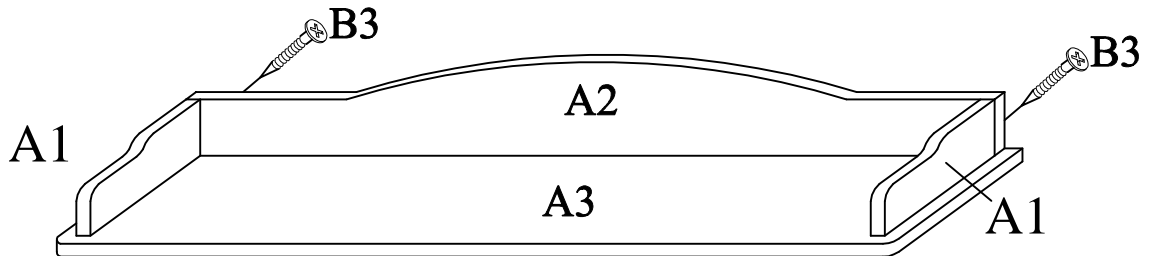
- | | | |
|-----|---|------|
| B1: |  | 4pcs |
| B3: |  | 4pcs |



Assemble Side Aprons A1 to Top Panel A3 using Wood Dowels B1 and Screws B3.

Step 3

B3:  2pcs

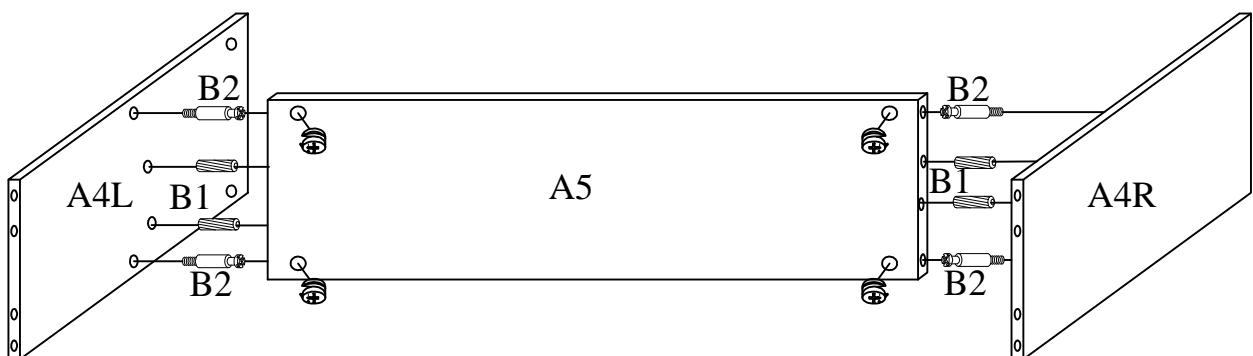


Tighten Back Apron A2 to Side Aprons A1 using Screws B3.

Step 4


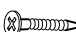
B1:  4pcs

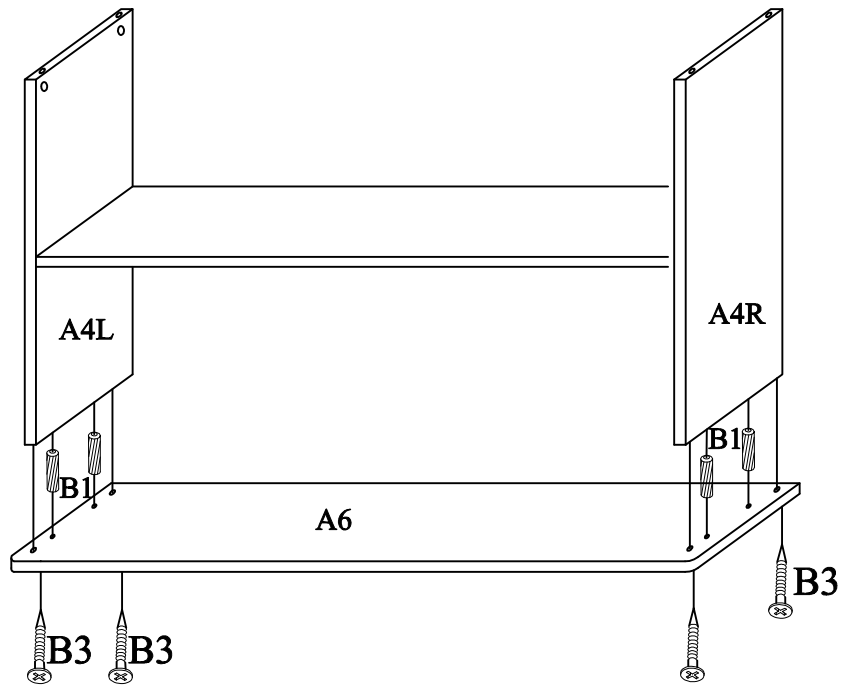
B2:   4sets



Assemble Side Panels A4(L&R) to Middle Panel A5 using Wood Dowels B1 and Camlocks B2.

Step 5

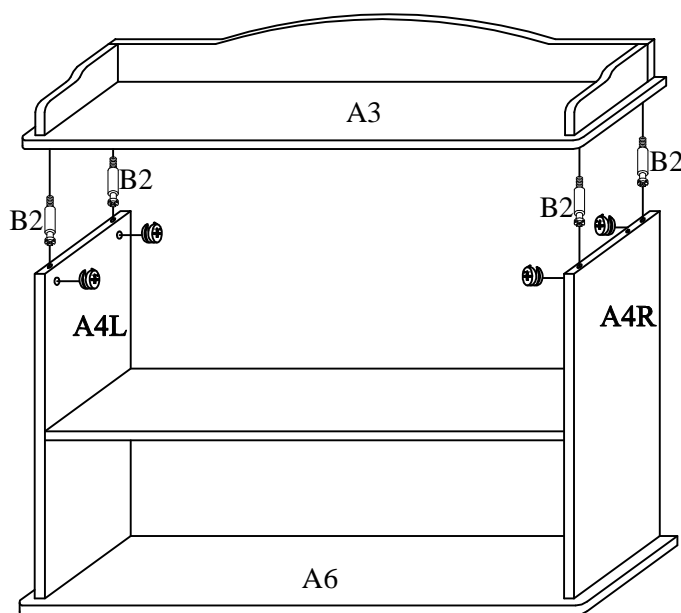
B1:  4pcs
B3:  4pcs



Assemble Side Panels A4(L&R) to Bottom Panel A6 using Wood Dowels B1 and Screws B3.

Step 6

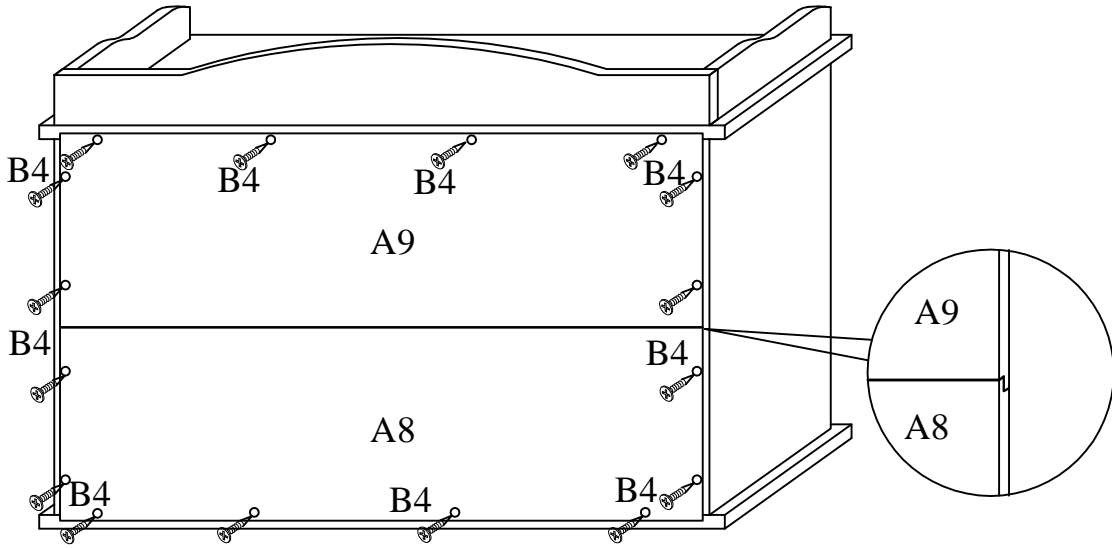
B2:   4sets



Assemble Top Panel A3 to Side Panels A4(L&R) using Camlocks B2.

Step 7

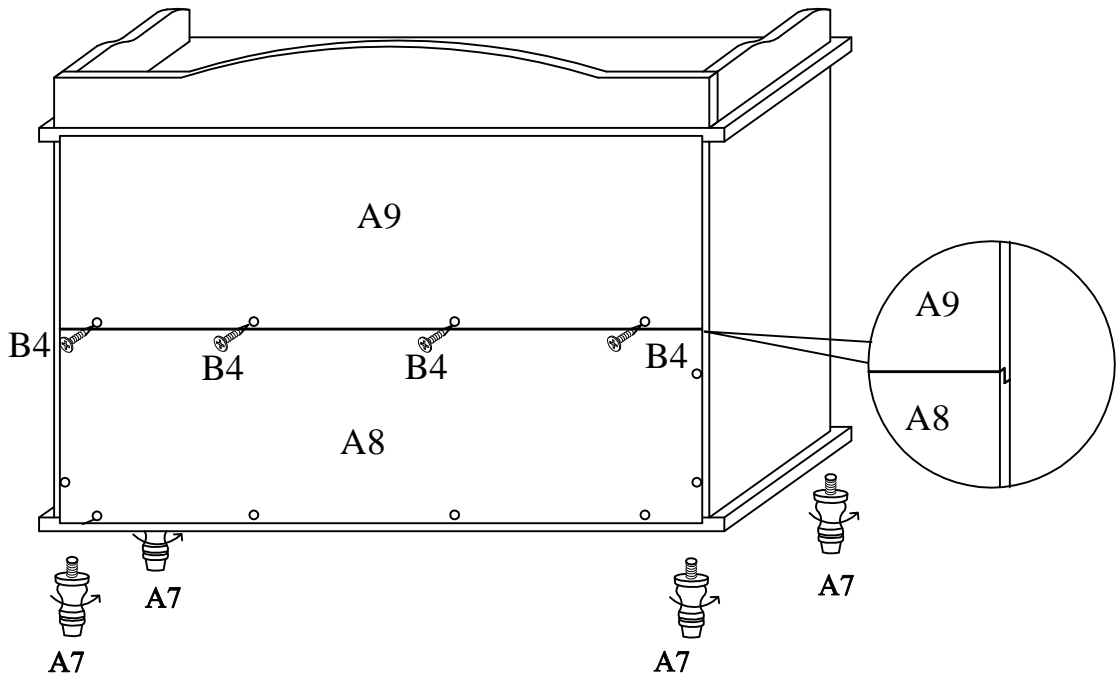
B4:  16pcs



Attach Back Panels A8&A9 to the back of the bookcase, then tighten all Screws B4 as above drawing shown.

Step 6

B4:  4pcs



1. Tighten Back Panels A8&A9 to Middle Shelf A5 using Screws B4.
2. Attach Legs A7 to the bottom of Bottom Panel.