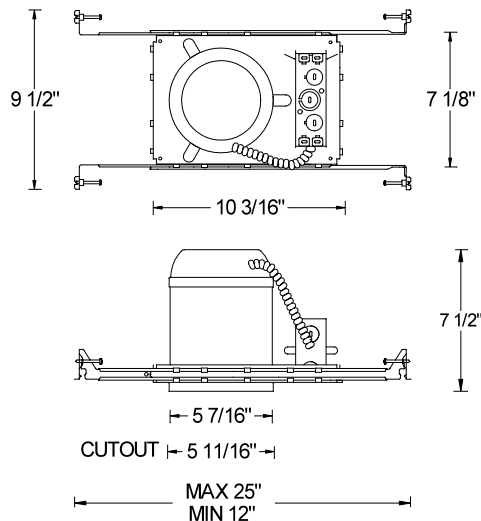
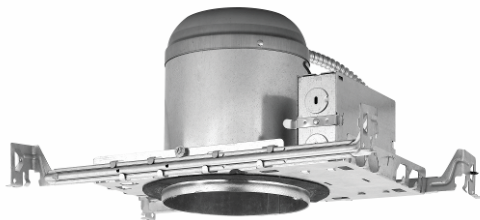


## 5" LINE VOLTAGE DOWNLIGHTS

## R-500-N-UA



### Ordering Matrix

Model	Installation Type	Options
[ ]	[ ]	[ ]
R-500 Recessed 5 inch series	R-Remodel Housing N-New construction	UA: IC/Non-IC rated, Air Tight.

### Product Details

<b>Description:</b>	Line voltage new construction housing.
<b>Materials:</b>	Housing is 20 gauge steel, painted white. Frame, junction box and hanger bars are heavy gauge galvanized steel.
<b>Mounting:</b>	Supplied with hanger bars, adjustable from 12"-24" to accommodate various joist construction and grid sizes. Hanger bars include a captive mounting "screw-nail" for ease of installation. Accommodates surface thickness of up to 1". 5 11/16" cutout hole.
<b>Ratings:</b>	IC/Non-IC rated. When direct insulation contact, follow lamp type and maximum wattage information listed on the IC label in the housing. When Non-direct insulation contact, follow lamp type and maximum wattage information listed on the NON-IC label, which requires 3" clearance on all sides from any insulation.
<b>J-Box:</b>	Seven knockouts and four Romex® style wiring connectors provided for ease of installation. Rated for branch and chain wiring.
<b>Thermal Protection:</b>	Thermal protector supplied with R-500-N-UA protects against over-lamping.
<b>Listing:</b>	UL & CUL Listed. Suitable for damp locations.

### Specification Features

<ul style="list-style-type: none"> <li>● Hanger bars slots are located on all four sides of the frame.</li> <li>● Certified Air Tight per ASTM E283.</li> <li>● 5 year W.A.C. Lighting product warranty.</li> </ul>
---