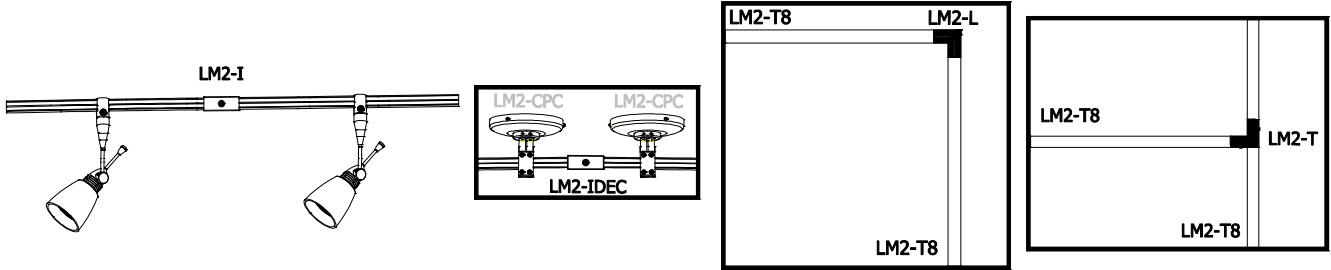


CATALOG NUMBER	TYPE
PROJECT	

DUORAIL™ – COMPONENTS **CONNECTORS**



Ordering Matrix		Part Number				Finish		
Model								
<input type="text"/>		<input type="text"/>				<input type="text"/>		
LM2	I	IDEC	L	T	DB	CH	BN	

Ordering Example (model number – part number – finish): LM2-I-BN

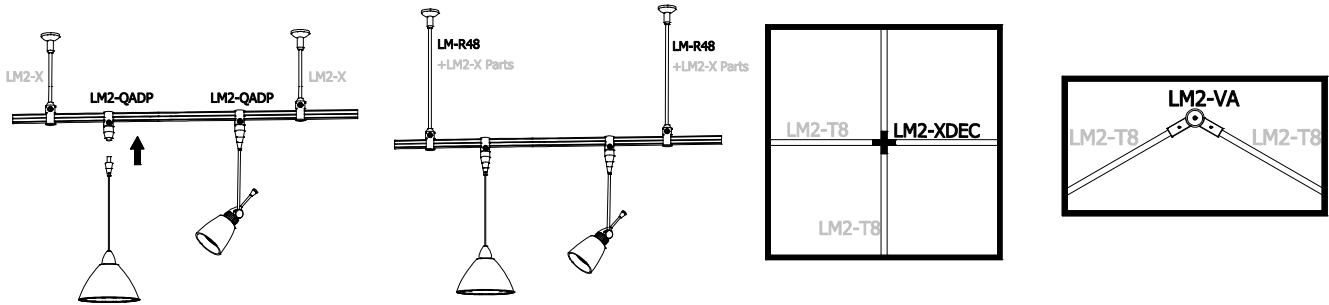
Track Connectors

<p>I Connector LM2-I-<i>color</i></p>	<p>I Dead-End Connector LM2-IDEC-<i>color</i></p>
<p>Description</p> <p>Connects two sections of rail with electrical continuity. Allows seamless connection of rail sections.</p> <p>Available in Designer Dark Bronze (DB), Chrome (CH), or Brushed Nickel(BN).</p>	<p>Description</p> <p>Connects two sections of rail without electrical continuity. Allows seamless connection of rail sections.</p> <p>Also used in between the LM2-CPC when wanting to have the two sections of rail connected.</p> <p>Available in Designer Dark Bronze (DB), Chrome (CH), or Brushed Nickel(BN).</p>
<p>L Connector LM2-L-<i>color</i></p>	<p>T Connector LM2-T-<i>color</i></p>
<p>Description</p> <p>Connects two sections of rail with electrical continuity. Allows seamless connection of rail sections.</p> <p>Available in Designer Dark Bronze (DB), Chrome (CH), or Brushed Nickel(BN).</p>	<p>Description</p> <p>Connects two sections of rail in a “T” with electrical continuity. Allows seamless connection of rail sections.</p> <p>Available in Designer Dark Bronze (DB), Chrome (CH), or Brushed Nickel(BN).</p>

CATALOG NUMBER	TYPE
PROJECT	

DUORAIL™ – COMPONENTS

CONNECTORS



Ordering Matrix					
Model	Part Number			Finish	
<input type="text"/>	<input type="text"/>			<input type="text"/>	
LM2	XDEC	VA	QADP	*R(length)	DB CH BN

Ordering Example (model number – part number – finish): LM2-QADP-BN. * Extension rod share the same model number as Solorail™ extension.

Track Connectors

<p>X Connector LM2-XDEC-color</p>		<p>Variable Angle Connector LM2-VA-color</p>	
<p>Description</p> <p>Connects four sections of rail without electrical continuity. Allows seamless connection of rail sections.</p> <p>Available in Designer Dark Bronze (DB), Chrome (CH), or Brushed Nickel(BN).</p>		<p>Description</p> <p>Connects two sections of rail with electrical continuity. The variable angle connector allows an angle adjustment up to 110°.</p> <p>Available in Designer Dark Bronze (DB), Chrome (CH), or Brushed Nickel(BN).</p>	
<p>Quick-Connect Adaptor LM2-QADP-color</p>		<p>Extension Rod LM-R12-color LM-R24-color LM-R36-color LM-R48-color</p>	
<p>Description</p> <p>Duorail™ system quick connect adaptor allows all quick connect elements (QF track heads or QP pendants) to be used with the LM2 system rail. The adaptor contains a threaded nipple for quick connect socket sets and attaches anywhere along the LM2 track. One adaptor must be ordered for each quick connect element used on a system.</p> <p>Available in Designer Dark Bronze (DB), Chrome (CH), or Brushed Nickel(BN).</p>		<p>Description</p> <p>Used to extend suspension standoffs and power feed canopies. Extending suspension standoffs requires one LM-R and one LM2-X. The LM2-CPC and LM2-WPC power feeds require four LM-R's for extension, and the LM2-DCPC requires eight LM-R.</p> <p>The LM-R Extension Rods come in lengths of 12", 24", 36", 48" and can be field cut to other lengths as well as extended to longer lengths with the use of the LM-RI coupler.</p> <p>Available in Designer Dark Bronze (DB), Chrome (CH), or Brushed Nickel(BN).</p>	