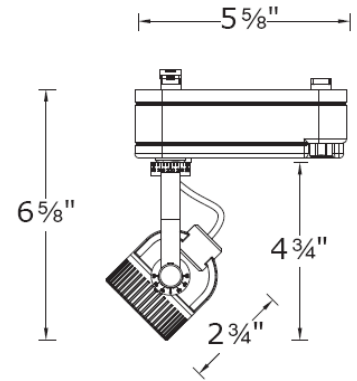
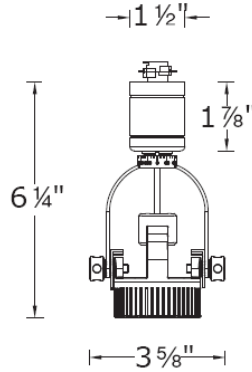


**PRECISION SPOT TRACK LUMINAIRE**

**JHT-164L**



**Ordering Matrix**

Model	Finish	Optional Accessories
[ ]	[ ]	[ ]
HHT-164L LHT-164L JHT-164L	BK    WT	<i>See accessories table</i>

Ordering Example (*model – finish + optional accessories*) : JHT-164L-BK

**Product Details**

**Description:** Low voltage track heads using MR16 lamps. Designed for use with WAC 120V series track. Track head style compliments the Precision Modules series of recessed multiple spots by WAC Lighting

**Materials:** Die-cast aluminum fixture with die-cast ribbed lens cap. Two heavy gauge aiming screws painted to match fixture finish.

**Socket:** Ceramic bi-pin socket with silver-plated contacts and heat reducing contact plate

**Aiming:** 350° horizontal rotation and 90° vertical aiming with built-in aiming scale on fixture. Two aiming screws (one on each side of fixture) allow for locking fixture aiming angle.

**Lamping:** Re-lamps from the front using MR16 lamps, 75W maximum

**Finish:** Abrasion resistant paint finish. Available in standard Black (BK), White (WT) color. Consult factory for additional color options.

**Listing:** UL & CUL Listed. Patent Pending.

**Specification Features**

- Specification grade die-cast aluminum fixture with integral aiming indicators to assure precise directional adjustment.
- Threaded lens cap has three evenly spaced integral tension clips. Additional lens accessory support is provided by a separate check ring placed within the lens cap.
- The 164 series track head utilizes the second circuit on the 120V H/L/J track
- Accommodates one lens and one accessory.
- 5 year WAC product warranty.

## Compatible Accessories

### LENS-16-DIC-COLOR

Dichroic Lenses

### LENS-16-COLOR

Color Lenses

AMB = Amber ; BLU = Blue ; GRN = Green  
RED = Red ; YEL = Yellow



### LENS-16-HCL

Honeycomb Louver



### LENS-16-CRL

Cross Louver



### HOOD-050-BK

Light Deflecting Hood  
for wall wash application



### LENS-16-UVF

UV Filter

### LENS-16-FR

Frosted Lens

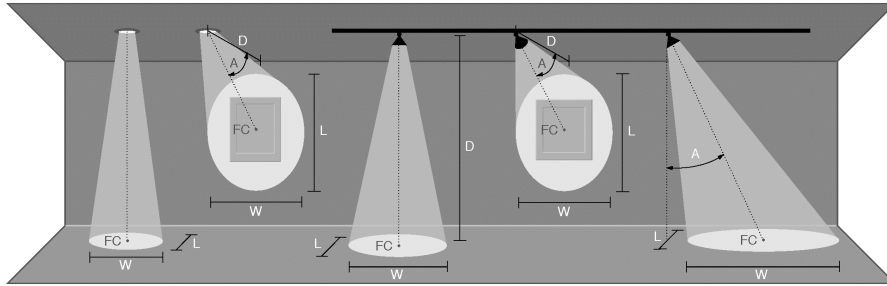
### LENS-16-SPR

Spread Lens

### LENS-16-BEL

Beam Elongating Lens

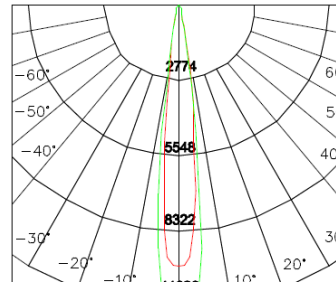
## Photometry



D Distance To Fixture From Wall Or Floor  
FC Initial Footcandle Level At Center Of Beam  
L Beam Length (where candlepower drops to 50% of maximum)  
W Beam Width (where candlepower drops to 50% of maximum)

50W MR16 N (15 DEG)			
0° Aiming Angle			
D(ft)	FC	W	L
6	283	1.6	1.6
9	126	2.4	2.4
12	71	3.2	3.2
15	45	3.9	3.9
45° Aiming Angle			
D(ft)	FC	W	L
6	100	3.2	2.2
9	45	4.8	3.4
12	25	6.4	4.5
15	16	8.0	5.6

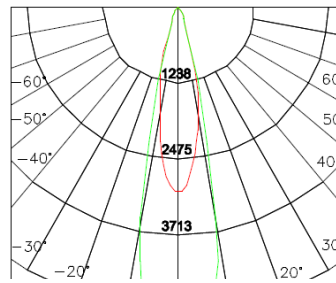
75W MR16 N (15 DEG)			
0° Aiming Angle			
D(ft)	FC	W	L
6	333	1.6	1.6
9	148	2.4	2.4
12	83	3.2	3.2
15	53	3.9	3.9
45° Aiming Angle			
D(ft)	FC	W	L
6	118	3.2	2.2
9	52	4.8	3.4
12	29	6.4	4.5
15	19	8.0	5.6



— 50W CBCP 10188  
— 75W CBCP 11096

50W MR16 F (25 DEG)			
0° Aiming Angle			
D(ft)	FC	W	L
6	94	2.7	2.7
9	42	4.0	4.0
12	24	5.3	5.3
15	15	6.7	6.7
45° Aiming Angle			
D(ft)	FC	W	L
6	33	5.6	3.8
9	15	8.4	5.6
12	8	11.2	7.5
15	5	14.0	9.4

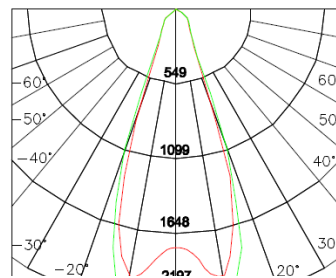
75W MR16 F (25 DEG)			
0° Aiming Angle			
D(ft)	FC	W	L
6	136	2.7	2.7
9	60	4.0	4.0
12	34	5.3	5.3
15	22	6.7	6.7
45° Aiming Angle			
D(ft)	FC	W	L
6	48	5.6	3.8
9	21	8.4	5.6
12	12	11.2	7.5
15	8	14.0	9.4



— 50W CBCP 3384  
— 75W CBCP 4950

50W MR16 W (40 DEG)			
0° Aiming Angle			
D(ft)	FC	W	L
6	51	4.4	4.4
9	23	6.6	6.6
12	13	8.7	8.7
15	8	10.9	10.9
45° Aiming Angle			
D(ft)	FC	W	L
6	18	10.1	6.2
9	8	15.1	9.3
12	5	20.1	12.4
15	3	25.2	15.4

75W MR16 W (40 DEG)			
0° Aiming Angle			
D(ft)	FC	W	L
6	58	4.4	4.4
9	26	6.6	6.6
12	15	8.7	8.7
15	9	10.9	10.9
45° Aiming Angle			
D(ft)	FC	W	L
6	21	10.1	6.2
9	9	15.1	9.3
12	5	20.1	12.4
15	3	25.2	15.4



— 50W CBCP 1836  
— 75W CBCP 2088

WAC Lighting reserves the right to modify the design of our products as part of the company's continuous improvement program.