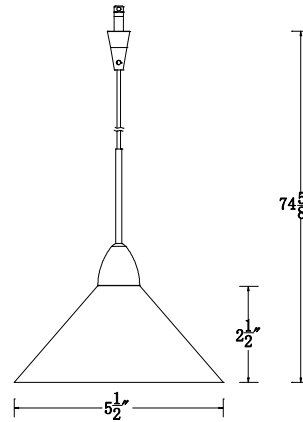


CATALOG NUMBER	TYPE
PROJECT	

SHINE COLLECTION

QUICK CONNECT™ PENDANT - MICHA



Ordering Number for Canopy Application

Model Number	Socket Set Finishes		
MP559-MR	BN	CH	DB

Ordering Number for all QUICK CONNECT™ Systems

Model	Glass	Socket Set Finish
QP559	MR=Mirror	BN – Brushed Nickel CH – Chrome DB – Dark Bronze

Example (Model-Glass/Socket Set Finish) : QP559-MR/BN

Product Details

Description:	Complete set includes hand blown clear glass shade coated mirror shiver and black grout , socket set and lamp for use with all WAC QUICK CONNECT™ systems. May also be compatible with other manufacturers quick connect systems. Consult WAC for system compatibility information.
Materials:	QP559-MR/BN consists of three parts: (1) G559-MR Mirror art glass shade (1) QP-501-BN Pendant socket set (1) JC-50 Halogen Bi-Pin lamp (included)
Socket:	Include 6' of braided cable and hang-straight tube.
Shade:	The colorful designer look of hand blown, cased glass pendants etched in an assortment of candy colors. The glass shade measures as follows: 2 1/2 " H x 5 1/2 " Ø
Wattage:	12v 50w max.
Finish:	MR/BN - Clear glass shade coated mirror shiver and black grout and Brushed Nickel socket MR/CH - Clear glass shade coated mirror shiver and black grout and Chrome socket MRDB - Clear glass shade coated mirror shiver and black grout and Dark Bronze socket
Listing:	UL & CUL Listed.

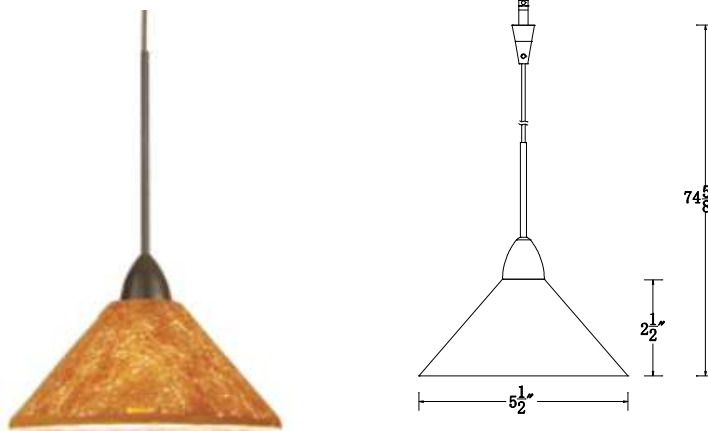
Specification Features

- QP559 requires proper QUICK CONNECT™ adapter to use with WAC's low voltage rail and track systems (DUORAIL™, SOLORAIL™ and Linear track), line voltage track systems, (FLEXRAIL1™ and 120v track) and monopoint and multipoint canopies.
- Complete set should include glass shade (G559-MR), socket set and lamp
- 6' long socket set cable, field cuttable
- Socket set finishes include Brushed Nickel (BN), Chrome (CH)& Dark Bronze (DB)
- 5 year product warranty.

CATALOG NUMBER	TYPE
PROJECT	

SHINE COLLECTION

QUICK CONNECT™ PENDANT - MICHA



Ordering Number for Canopy Application

Model Number	Socket Set Finishes		
MP559-GL	BN	CH	DB

Ordering Number for all QUICK CONNECT™ Systems

Model	Glass	Socket Set Finish
<input type="text"/>	<input type="text"/>	<input type="text"/>
QP559	GL=Gold	BN – Brushed Nickel CH – Chrome DB – Dark Bronze

Example (Model-Glass/Socket Set Finish) : QP559-GL/BN

Product Details

Description:	Complete set includes hand blown clear glass shade coated gold glass shiver and yellow grout , socket set and lamp for use with all WAC QUICK CONNECT™ systems. May also be compatible with other manufacturers quick connect systems. Consult WAC for system compatibility information.
Materials:	QP559-GL/BN consists of three parts: (1) G559-GL Gold art glass shade (1) QP-501-BN Pendant socket set (1) JC-50 Halogen Bi-Pin lamp (included)
Socket:	Include 6' of braided cable and hang-straight tube.
Shade:	The colorful designer look of hand blown, cased glass pendants etched in an assortment of candy colors. The glass shade measures as follows: 2 1/2 " H x 5 1/2 " Ø
Wattage:	12v 50w max.
Finish:	GL/BN - Clear glass shade coated gold glass shiver and yellow grout and Brushed Nickel socket GL/CH - Clear glass shade coated gold glass shiver and yellow grout and Chrome socket GL/DB - Clear glass shade coated gold glass shiver and yellow grout and Dark Bronze socket
Listing:	UL & CUL Listed.

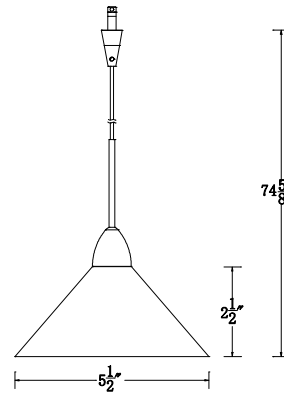
Specification Features

- QP559 requires proper QUICK CONNECT™ adapter to use with WAC's low voltage rail and track systems (DUORAIL™, SOLORAIL™ and Linear track), line voltage track systems, (FLEXRAIL1™ and 120v track) and monopoint and multipoint canopies.
- Complete set should include glass shade (G559-GL), socket set and lamp
- 6' long socket set cable, field cuttable
- Socket set finishes include Brushed Nickel (BN), Chrome (CH)& Dark Bronze (DB)
- 5 year product warranty.

CATALOG NUMBER	TYPE
PROJECT	

SHINE COLLECTION

QUICK CONNECT™ PENDANT - MICHA



Ordering Number for Canopy Application

Model Number	Socket Set Finishes		
MP559-DIC	BN	CH	DB

Ordering Number for all QUICK CONNECT™ Systems

Model	Glass	Socket Set Finish
QP559	DIC=Dichroic	BN – Brushed Nickel CH – Chrome DB – Dark Bronze

Example (Model-Glass/Socket Set Finish) : QP559-DIC/BN

Product Details

Description:	Complete set includes hand blown clear glass shade coated dichroic glass shiver and white grout, socket set and lamp for use with all WAC QUICK CONNECT™ systems. May also be compatible with other manufacturers quick connect systems. Consult WAC for system compatibility information.
Materials:	QP559-DIC/BN consists of three parts: (1) G559-DIC Dichroic art glass shade (1) QP-501-BN Pendant socket set (1) JC-50 Halogen Bi-Pin lamp (included)
Socket:	Include 6' of braided cable and hang-straight tube.
Shade:	The colorful designer look of hand blown, cased glass pendants etched in an assortment of candy colors. The glass shade measures as follows: 2 1/2" H x 5 1/2" Ø
Wattage:	12v 50w max.
Finish:	DIC/BN - clear glass shade coated dichroic glass shiver and white grout and Brushed Nickel socket DIC/CH - clear glass shade coated dichroic glass shiver and white grout and Chrome socket DIC/DB - clear glass shade coated dichroic glass shiver and white grout and Dark Bronze socket
Listing:	UL & CUL Listed.

Specification Features

- QP559 requires proper QUICK CONNECT™ adapter to use with WAC's low voltage rail and track systems (DUORAIL™, SOLORAIL™ and Linear track), line voltage track systems, (FLEXRAIL1™ and 120v track) and monopoint and multipoint canopies.
- Complete set should include glass shade (G559-DIC), socket set and lamp
- 6' long socket set cable, field cuttable
- Socket set finishes include Brushed Nickel (BN), Chrome (CH)& Dark Bronze (DB)
- 5 year product warranty.