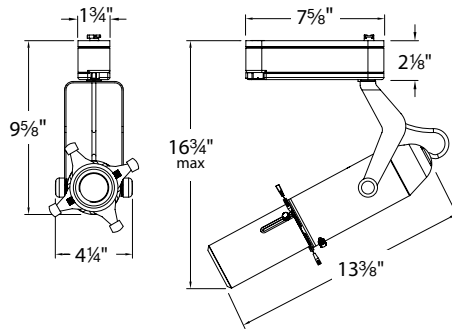


FRAMING PROJECTOR – model: LED009

LEDme® Track Luminaire

WAC LIGHTING

Responsible Lighting®



Fixture Type:

Catalog Number:

Project:

Location:

PRODUCT DESCRIPTION

Premier series LEDme® track mounted framing projector for illuminating artwork and displays. Four metal shims and two lenses allow for precise focus adjustment.

For use with WAC Lighting's 120V Track system and compatible with other manufacturer's track (consult factory for specific brands).

FEATURES

- Integral LED engine, no visible heat sink
- Screw and swivel yoke aiming for precise control
- 355° horizontal rotation and 180° vertical aiming
- Free of projected heat, UV and IR radiation
- 50,000 hours potential LED life
- Uses "D" sized metal or glass gobos for projecting images
- 5 year WAC Lighting product warranty

SPECIFICATIONS

Construction: Die-cast aluminum track head with polycarbonate transformer case and track adapter. Two focusing lenses and metal shims contained in framing snoot.

Driver: Input voltage: 120VAC 50/60Hz
Max Load: 18W

Light Source: 18W Philip LuxoenS LED.
Total power consumption of 20W with included driver.

Finish: Abrasion resistant paint finish.
Available in Black (BK) and White (WT).

Standards: UL & CUL Listed.

FIXTURE PERFORMANCE

Model #	Color temp	Lumens	Efficacy	CRI
LED009-WW	3000K	142 max	6.5 Lm/W	85
LED009-CW	4000K	142 max	6.5 Lm/W	85

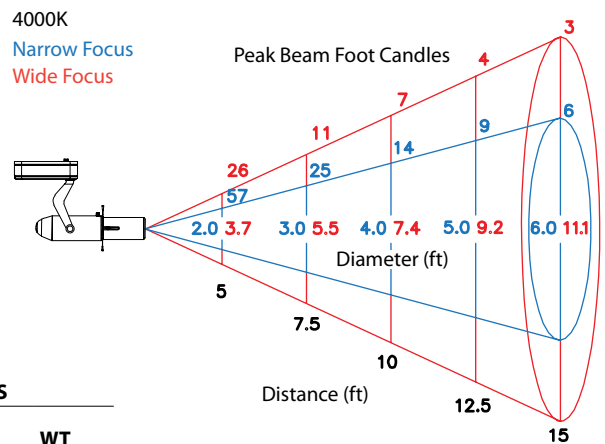
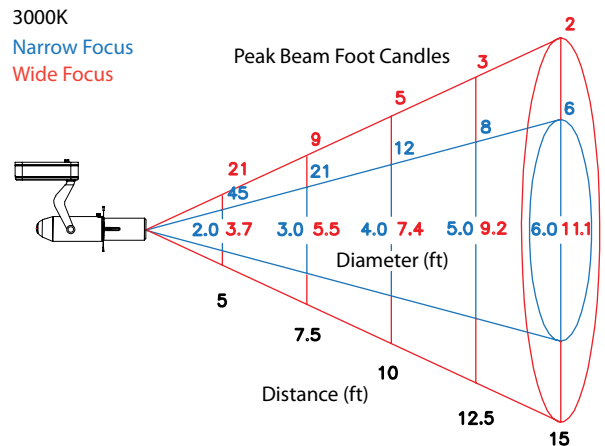
ORDER NUMBER

Track Type	System	Model #	Color Temp	Finish
Single-Circuit H, L, J Track	L H J	LED009	WW 3000K	BK Black
			CW 4000K	WT White
Two-Circuit W Track	WTK WHK	LED009	WW 3000K	BK Black
			CW 4000K	WT White

WAC Lighting
www.waclighting.com
Phone (800) 526.2588 • Fax (800) 526.2585

Headquarters/Eastern Distribution Center
44 Harbor Park Drive • Port Washington, NY 11050
Phone (516) 515.5000 • Fax (516) 515.5050

Western Distribution Center
1750 Archibald Avenue • Ontario, CA 91760
Phone (800) 526.2588 • Fax (800) 526.2585



FINISHES

BK



WT



System Model # Color Finish
 - **LED009** - -

Example: **L-LED009-WW-WT**