

# INSTALLATION INSTRUCTION

## Line Voltage - PAR30 Multiple Spots

MT-130HS, MT-230HS, MT-330HS

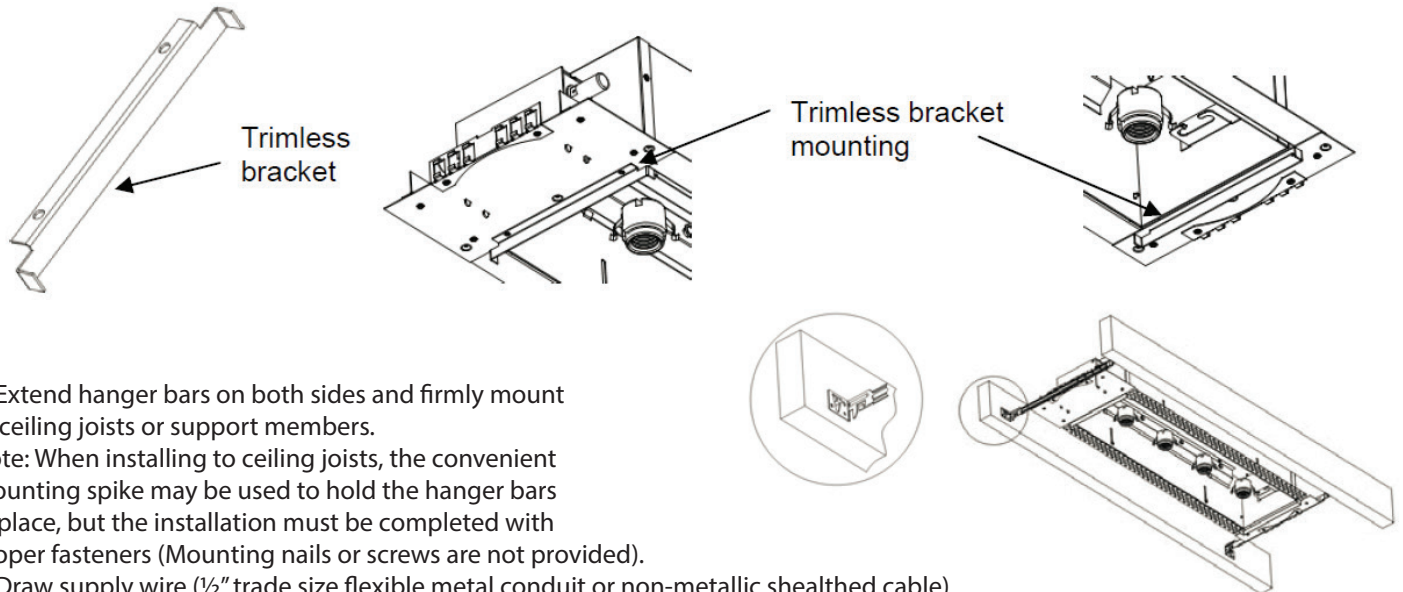
WAC LIGHTING  
Responsible Lighting®

### CAUTION:

- Always turn off power at the circuit breaker panel or fuse box prior to installation to prevent electrical shock.
- Do not install insulation within 3" of housing.

Designed for installation in dropped grid ceilings or to joist members in new construction ceilings.

**NOTE: FOR TRIMLESS INSTALLATION, PLEASE INSTALL THE BRACKET WITH SCREWS PROVIDED.**



1. Extend hanger bars on both sides and firmly mount to ceiling joists or support members.

Note: When installing to ceiling joists, the convenient mounting spike may be used to hold the hanger bars in place, but the installation must be completed with proper fasteners (Mounting nails or screws are not provided).

2. Draw supply wire (½" trade size flexible metal conduit or non-metallic sheathed cable) from ceiling to fixture site.

3. To make electrical connections:

- a. Route supply wire to junction box opening with suitable connector.
- b. Connect black wire to black supply wire with wire nut.
- c. Connect white wire to white supply wire with wire nut.
- d. Connect Green grounding wires with wire nut. (Wire may be green or un-insulated)
- e. Close junction box cover.

4. Install ceiling.

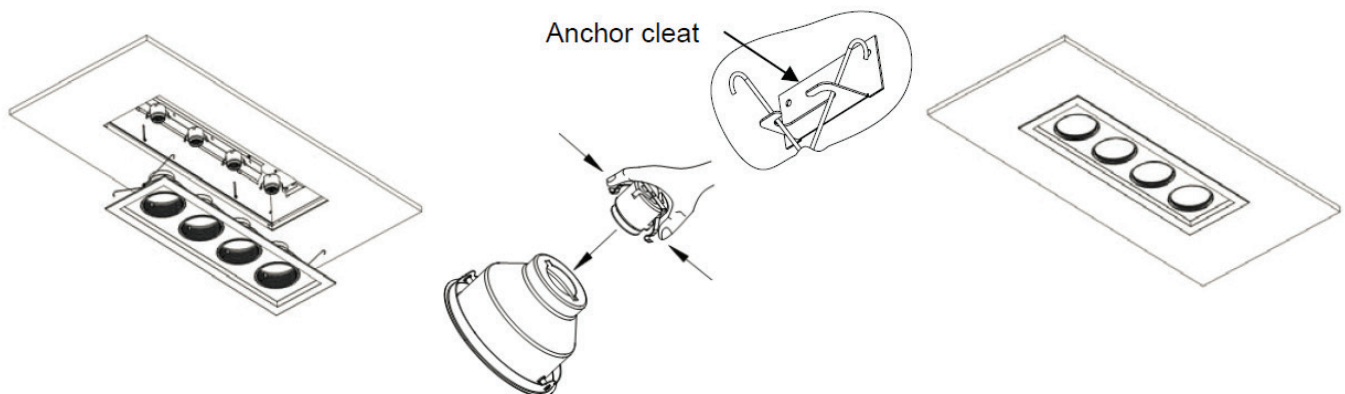
5. Use template supplied to make appropriate cutout for trim installation.

### TO INSTALL TRIM

a. Raise the trim to the housing and place socket from housing to back of trim as shown in the trim hole and depress socket springs to clip in place.

b. Attach by securing the torsion springs and guiding them through the anchor cleats.

c. Push trim flush up against the ceiling and install PAR30 lamps.



WAC Lighting  
www.waclighting.com  
Phone (800) 526.2588 • Fax (800) 526.2585

Headquarters/Eastern Distribution Center  
44 Harbor Park Drive • Port Washington, NY 11050  
Phone (516) 515.5000 • Fax (516) 515.5050

Western Distribution Center  
1750 Archibald Ave • Ontario, CA 91761  
Phone (800) 526.2588 • Fax (800) 526.2585

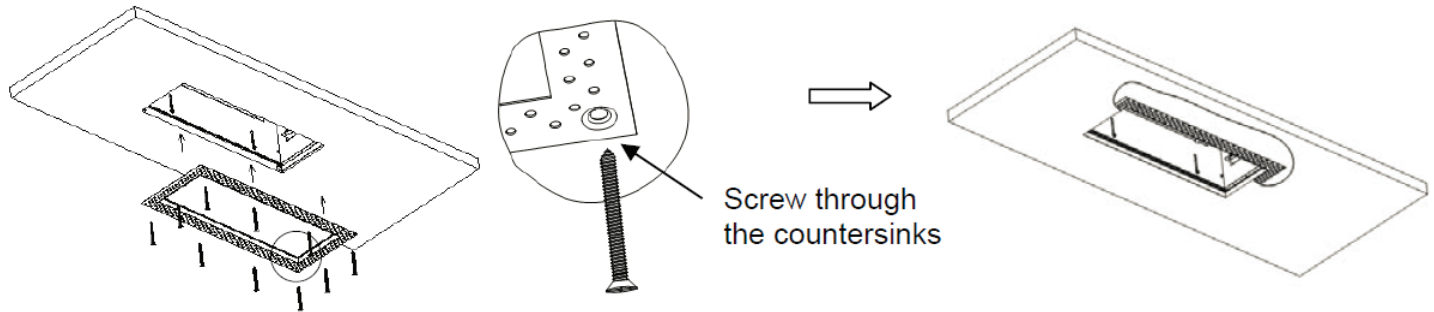
INSTALLATION INSTRUCTION  
**Line Voltage - PAR30 Multiple Spots**  
MT-130HS, MT-230HS, MT-330HS

WAC LIGHTING  
Responsible Lighting®

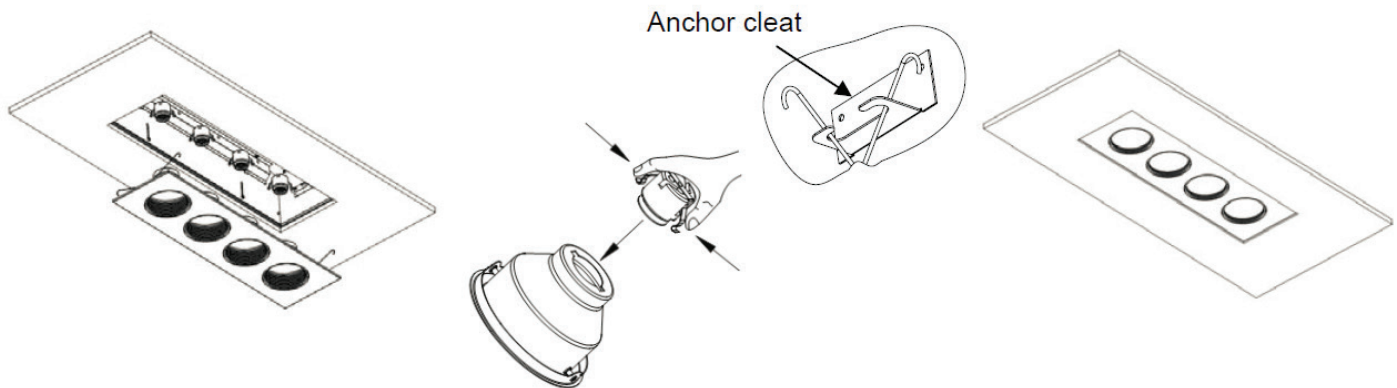
**TRIMLESS INSTALLATION**

Note: For trimless installation, please install the bracket with screws provided.

- a. Raise screen panel to ceiling opening and secure with screws supplied.
- b. Apply plaster over screen panel and sand surface when dry for a finish look.



- c. Raise the trim to the housing and place socket from housing to back of trim as shown in the trim hole and depress socket springs to clip in place.
- d. Attach by securing the torsion springs and guiding them through the anchor cleats.
- e. Push trim flush up against the ceiling and install PAR30 lamps.



Retain instructions for maintenance reference.

WAC Lighting  
www.waclighting.com  
Phone (800) 526.2588 • Fax (800) 526.2585

Headquarters/Eastern Distribution Center  
44 Harbor Park Drive • Port Washington, NY 11050  
Phone (516) 515.5000 • Fax (516) 515.5050

Western Distribution Center  
1750 Archibald Ave • Ontario, CA 91761  
Phone (800) 526.2588 • Fax (800) 526.2585