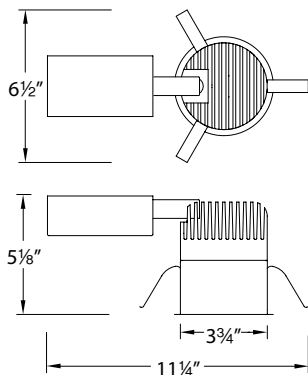


HR-LED309-RIC

3" LEDme® – IC-Rated, Remodel Housing

WAC LIGHTING

Responsible Lighting®



Fixture Type:

Catalog Number:

Project:

Location:

PRODUCT DESCRIPTION

3 inch LEDme® IC-Rated remodel housing, includes three 3W LED's. For use with LEDme® 3 inch trims.

FEATURES

- Cutout: 3 7/8"
- 100,000 hour rated life
- Accommodates ceiling thickness up to 1"
- Suitable for damp locations
- UL and CUL Listed
- 5 year WAC Lighting product warranty

FIXTURE PERFORMANCE

| Model # | Color Temp | Watt | Lumens | Efficacy | CRI |
|-------------------------|------------|------|--------|-----------|-----|
| HR-LED309-RIC-27 | 2700K | 5.8W | 295 | 51.0 Lm/W | 85 |
| HR-LED309-RIC-W | 3000K | 5.8W | 295 | 51.0 Lm/W | 85 |
| HR-LED309-RIC-35 | 3500K | 5.8W | 314 | 54.1 Lm/W | 80 |
| HR-LED309-RIC-C | 4500K | 5.8W | 375 | 66.6 Lm/W | 75 |

SPECIFICATIONS

Construction: Die-cast aluminum heat sink painted black. Housing and junction box are 20 gauge steel.

J-Box: Seven knockouts and four Romex® style wiring connectors provided for ease of installation. Rated for branch wiring.

Driver: Electronic driver, 120VAC/60Hz input, 5.8W output, 450mA current. Power factor >0.9. Dimming with thermal protection.

Light Source: Includes three 3W ANSI compliant Warm/Neutral LEDs for the finest color consistency possible. Replacement modules available.

Dimming: Dimmed to 10% with electronic low voltage (ELV) dimmer.

Mounting: Three heavy gauge inner retention clips push out onto ceiling or other mounting surface to firmly hold housing in place. Accommodates surface up to 1" thick. 3 7/8" cutout hole.

Rating: IC-Rated: Suitable for direct contact with insulation.

Standards: UL & CUL Listed.

ORDER NUMBER

| Model # | Color Temp |
|----------------------|-----------------|
| HR-LED309-RIC | 27 2700K |
| | W 3000K |
| | 35 3500K |
| | C 4500K |

REPLACEMENT MODULES

| Model # | Color Temp |
|--------------------|------------|
| RM3X3-27-DL | 2700K |
| RM3X3-30-DL | 3000K |
| RM3X3-35-DL | 3500K |
| RM3X3-45-DL | 4500K |

HR-LED309-RIC –

Example: **HR-LED309-RIC-C**

COMPATIBLE TRIMS

| Model # | Description | Finish – (where there is a slash (/) the letters correspond as: interior finish/exterior finish) |
|------------------|----------------------------------|---|
| HR-LED311 | Round, Open Reflector Downlight | Black/Brushed Nickel (BK/BN), Black/White (BK/WT), White/White (WT/WT) |
| HR-LED321 | Round, Step Baffle Downlight | Black/Brushed Nickel (BK/BN), Black/White (BK/WT), White/White (WT/WT) |
| HR-LED331 | Round, Shower light | Chrome (CH), White (WT) |
| HR-LED351 | Square, Open Reflector Downlight | Black/Brushed Nickel (BK/BN), Black/White (BK/WT), White/White (WT/WT) |
| HR-LED371 | Square, Shower light | Chrome (CH), White (WT) |

Example: **HR-LED311-BK/BN**

See individual trim spec sheets for complete information.

WAC Lighting

www.waclighting.com
Phone (800) 526.2588 • Fax (800) 526.2585

Headquarters/Eastern Distribution Center

44 Harbor Park Drive • Port Washington, NY 11050
Phone (516) 515.5000 • Fax (516) 515.5050

Western Distribution Center

1750 Archibald Avenue • Ontario, CA 91760
Phone (800) 526.2588 • Fax (800) 526.2585

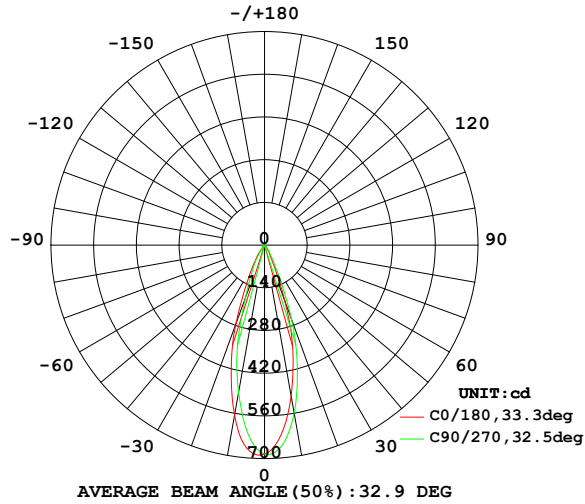
HR-LED309-RIC

Photometrics

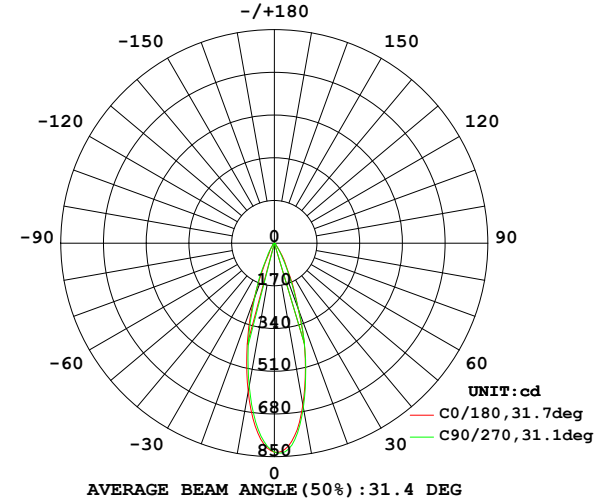
WAC LIGHTING

Responsible Lighting®

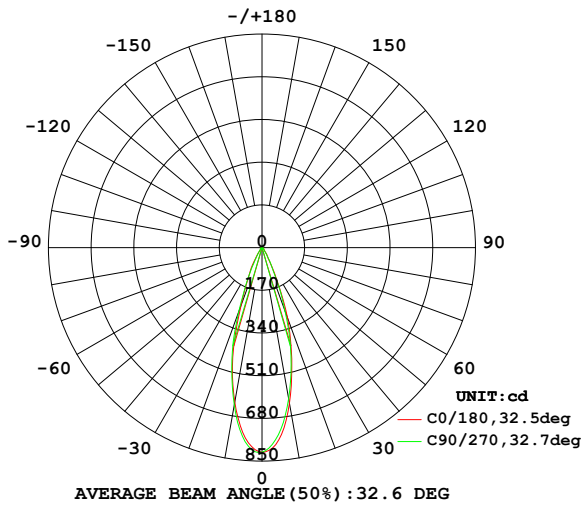
2700K



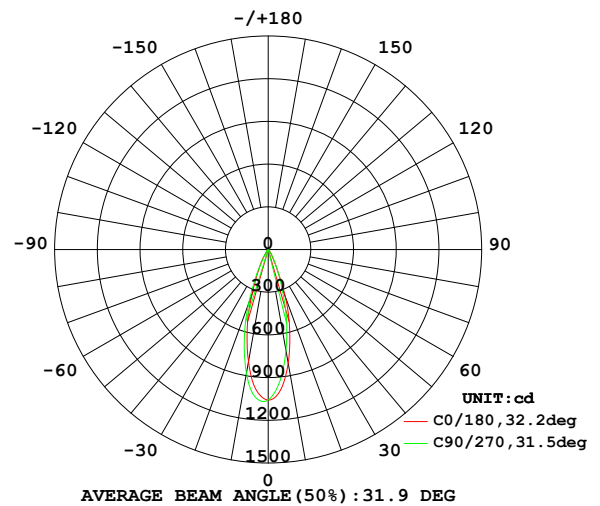
3000K



3500K



4500K



WAC Lighting
www.waclighting.com
Phone (800) 526.2588 • Fax (800) 526.2585

Headquarters/Eastern Distribution Center
44 Harbor Park Drive • Port Washington, NY 11050
Phone (516) 515.5000 • Fax (516) 515.5050

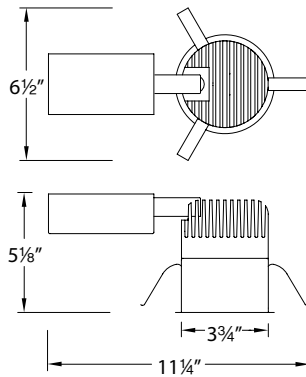
Western Distribution Center
1750 Archibald Avenue • Ontario, CA 91760
Phone (800) 526.2588 • Fax (800) 526.2585

HR-LED309-R

3" LEDme® – Non-IC, Remodel Housing

WAC LIGHTING

Responsible Lighting®



Fixture Type:

Catalog Number:

Project: _____

Location: _____

PRODUCT DESCRIPTION

3 inch LEDme® Non-IC remodel housing, includes three 3W LED's. For use with LEDme® 3 inch trims.

FEATURES

- Cutout: 3 7/8"
- 100,000 hour rated life
- Accommodates ceiling thickness up to 1"
- Suitable for damp locations
- UL and CUL Listed
- 5 year WAC Lighting product warranty

FIXTURE PERFORMANCE

| Model # | Color Temp | Watt | Lumens | Efficacy | CRI |
|----------------|------------|------|--------|-----------|-----|
| HR-LED309-R-27 | 2700K | 8W | 413 | 52.0 Lm/W | 85 |
| HR-LED309-R-W | 3000K | 8W | 413 | 52.0 Lm/W | 85 |
| HR-LED309-R-35 | 3500K | 8W | 440 | 55.0 Lm/W | 80 |
| HR-LED309-R-C | 4500K | 8W | 515 | 67.4 Lm/W | 75 |

SPECIFICATIONS

Construction: Die-cast aluminum heat sink painted black. Housing and junction box are 20 gauge steel.

J-Box: Seven knockouts and four Romex® style wiring connectors provided for ease of installation. Rated for branch wiring.

Driver: Electronic driver, 120VAC/60Hz input, 8W output, 700mA current. Power factor >0.9. Dimming with thermal protection.

Light Source: Includes three 3W ANSI compliant Warm/Neutral LEDs for the finest color consistency possible. Replacement modules available.

Dimming: Dimmed to 10% with electronic low voltage (ELV) dimmer.

Mounting: Three heavy gauge inner retention clips push out onto ceiling or other mounting surface to firmly hold housing in place. Accommodates surface up to 1" thick. 3 7/8" cutout hole.

Rating: Non-IC: insulation must be kept at least 3" away from the housing.

Standards: UL & CUL Listed.

ORDER NUMBER

| Model # | Color Temp |
|-------------|------------|
| HR-LED309-R | 27 2700K |
| | W 3000K |
| | 35 3500K |
| | C 4500K |

REPLACEMENT MODULES

| Model # | Color Temp |
|-------------|------------|
| RM3X3-27-DL | 2700K |
| RM3X3-30-DL | 3000K |
| RM3X3-35-DL | 3500K |
| RM3X3-45-DL | 4500K |

HR-LED309-R –

Example: HR-LED309-R-C

COMPATIBLE TRIMS

| Model # | Description | Finish – (where there is a slash (/) the letters correspond as: interior finish/exterior finish) |
|-----------|----------------------------------|--|
| HR-LED311 | Round, Open Reflector Downlight | Black/Brushed Nickel (BK/BN), Black/White (BK/WT), White/White (WT/WT) |
| HR-LED321 | Round, Step Baffle Downlight | Black/Brushed Nickel (BK/BN), Black/White (BK/WT), White/White (WT/WT) |
| HR-LED331 | Round, Shower light | Chrome (CH), White (WT) |
| HR-LED351 | Square, Open Reflector Downlight | Black/Brushed Nickel (BK/BN), Black/White (BK/WT), White/White (WT/WT) |
| HR-LED371 | Square, Shower light | Chrome (CH), White (WT) |

Example: HR-LED311-BK/BN

See individual trim spec sheets for complete information.

WAC Lighting

www.waclighting.com

Phone (800) 526.2588 • Fax (800) 526.2585

Headquarters/Eastern Distribution Center

44 Harbor Park Drive • Port Washington, NY 11050

Phone (516) 515.5000 • Fax (516) 515.5050

Western Distribution Center

1750 Archibald Avenue • Ontario, CA 91760

Phone (800) 526.2588 • Fax (800) 526.2585

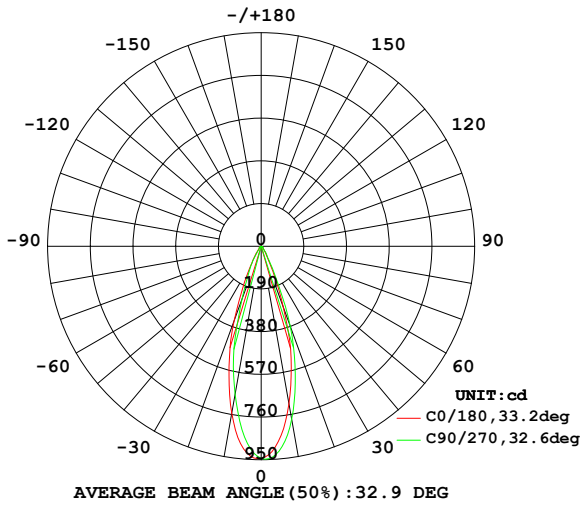
HR-LED309-R

Photometrics

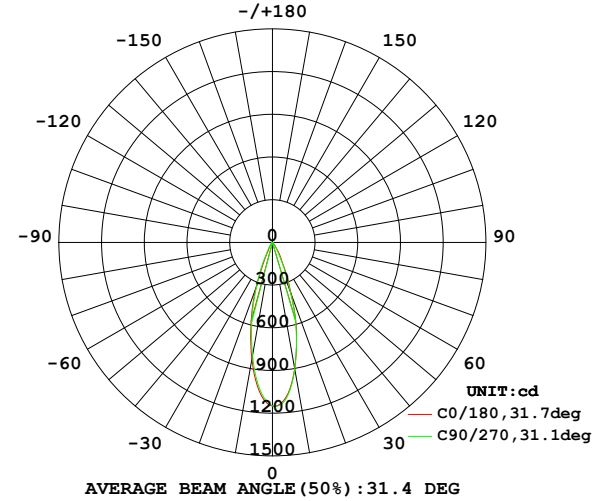
WAC LIGHTING

Responsible Lighting®

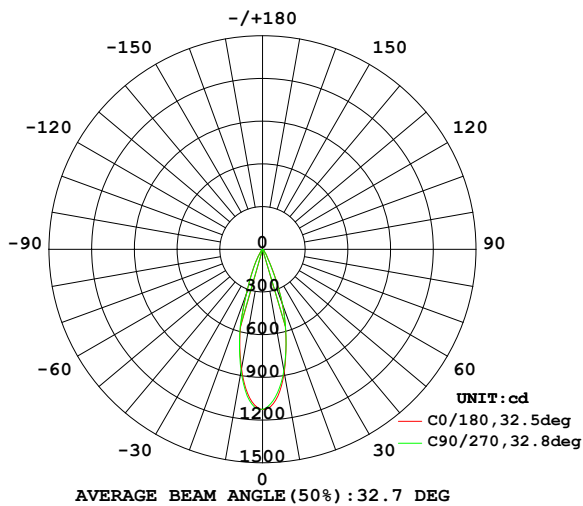
2700K



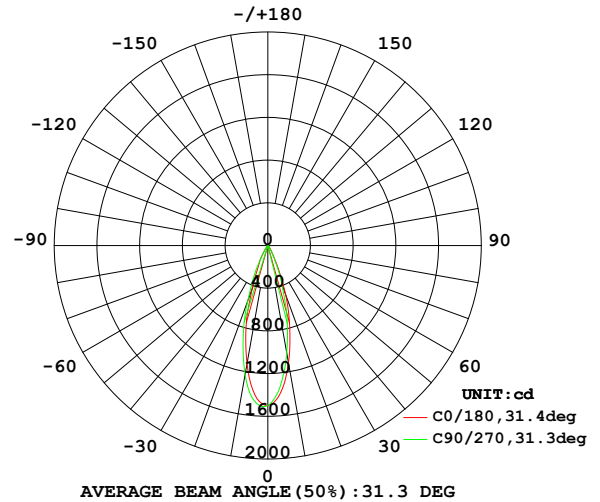
3000K



3500K



4500K



WAC Lighting
www.waclighting.com
Phone (800) 526.2588 • Fax (800) 526.2585

Headquarters/Eastern Distribution Center
44 Harbor Park Drive • Port Washington, NY 11050
Phone (516) 515.5000 • Fax (516) 515.5050

Western Distribution Center
1750 Archibald Avenue • Ontario, CA 91760
Phone (800) 526.2588 • Fax (800) 526.2585