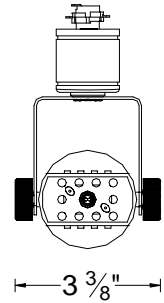
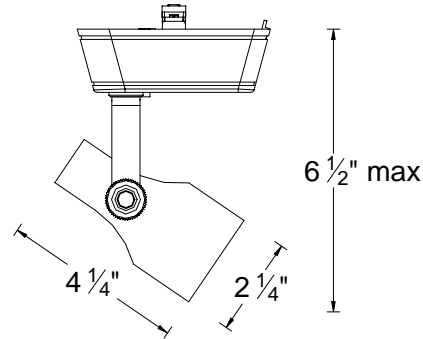


<b>CATALOG NUMBER</b>	<b>TYPE</b>
<b>PROJECT</b>	

**LOW VOLTAGE TRACK HEAD**

**SERIES 007**



**Ordering Matrix**

Model			Series		Finish			
<input type="text"/>			<input type="text"/>		<input type="text"/>			
HHT	JHT	LHT	007	007L	BK	BN/BK	BN/WT	WT

Ordering Example (model – series – finish): HHT-007L-BK

**Product Details**

**Description:** Premier series low voltage track head for use with W.A.C. brand H, L, J & J2 series track systems. In addition it may fit other manufacturer's original track (consult factory for specific brands).

**Materials:** Die-cast aluminum track head with polycarbonate transformer case and track adapter. Bi-pin ceramic socket for MR16 lamp. Clear lens.

**Aiming:** 350° horizontal rotation and 90° vertical aiming. The screw and swivel yoke aiming allows precise adjustment to the desired angle.

**Lamp & Transformer:** MR16 lamp. 50w max. for the 007 and 75w max. for the 007L. Lamp sold separately.  
Integral electronic transformer for 12 volt MR16 lamps. 120V input. Dimmable with electronic low voltage dimmers.

**Systems:** HHT is used with the W.A.C. H system track (HT).  
JHT is used with the W.A.C. J system and J2 system track (JT & J2-T).  
LHT is used with the W.A.C. L system track (LT).

**Finish:** Abrasion resistant powder coat paint finish. Black (BK), Brushed Nickel track head with Black transformer adapter (BN/BK), Brushed Nickel track head with White transformer adapter (BN/WT), or White (WT).

**Listing:** U.L. & C.U.L. listed. 2 year W.A.C. Lighting product warranty.

**Specification Features**

- Classic track mounted display and art light. May be used in its standard 007 configuration or with the 008FP Framing Projector for more demanding applications.
- The supplied clear glass lens can be replaced with one lens accessory such as a colored dichroic lens, UV filter lens, frosted lens, etc. See catalog or website for full lens accessory selection.
- Track head extensions are available if longer than standard drops are required. Add X(*length*) to the front of the ordering code i.e. **X24-HHT-007-BK**.

**Compatible Accessories**

008FP Framing Projector.



Order as 008FP-*finish*

Low Voltage Extensions  
Factory installed.  
Available in 6", 12", 18", 24",  
36", 48", 72", 96" lengths.



Order as X(*length*)