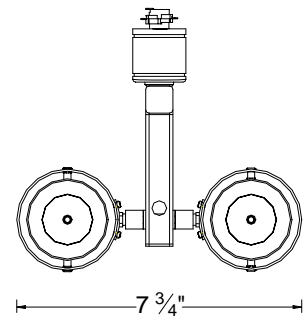
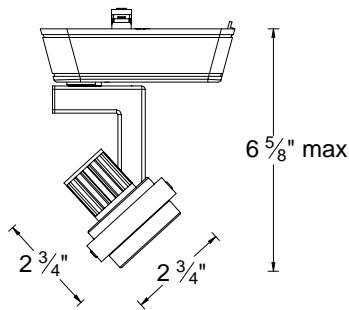


CATALOG NUMBER	TYPE
PROJECT	

LOW VOLTAGE TRACK HEAD

SERIES 817



Ordering Matrix

Model			Series	Finish		
<input type="text"/>			<input type="text"/>	<input type="text"/>		
HHT	JHT	LHT	817	BK	PT/BK	PT/WT
						WT

Ordering Example (*model – series – finish*): HHT-817-PT/WT

Product Details

Description: Low voltage dual track head for use with W.A.C. brand H, L, J & J2 series track systems. In addition it may fit other manufacturer's original track (consult factory for specific brands).

Materials: Die-cast aluminum track heads with polycarbonate transformer case and track adapter. Heat resistant black rubber grips over the rear socket assembly. Bi-pin ceramic socket for MR16 lamp. Clear lens.

Aiming: 350° horizontal rotation and 90° vertical aiming. The "L" style yoke and pivot heads allows easy and fine adjustment to the desired angle. Each head has independently aiming adjustment.

Lamp & Transformer: MR16 lamps. 35W max. per head. Lamps sold separately. Integral electronic transformer for 12 volt MR16 lamps. 120V input. Dimmable with electronic low voltage dimmers.

Systems: HHT is used with the W.A.C. H system track (HT). JHT is used with the W.A.C. J system and J2 system track (JT & J2-T). LHT is used with the W.A.C. L system track (LT).

Finish: Abrasion resistant powder coat paint finish. Black (BK), Platinum track head with Black transformer adapter (PT/BK), Platinum track head with White transformer adapter (PT/WT), or White (WT).

Listing: U.L. & C.U.L. listed. 2 year W.A.C. Lighting product warranty.

Specification Features

- "Quick-Ship" item, always in stock and available for immediate shipment.
- The supplied clear glass lenses can be replaced with a lens accessory such as a colored dichroic lens, UV filter lens, frosted lens, etc. See catalog or website for full lens accessory selection.
- Electronic transformer has advanced auto-reset, soft start and short circuit protection features. The soft start delayed lamp start feature extends lamp life by delaying the abrupt inrush current to the lamp.

Compatible Accessories

JCLIP
 Ordered when using track heads on 2nd circuit of J2 style track.



Order as JCLIP