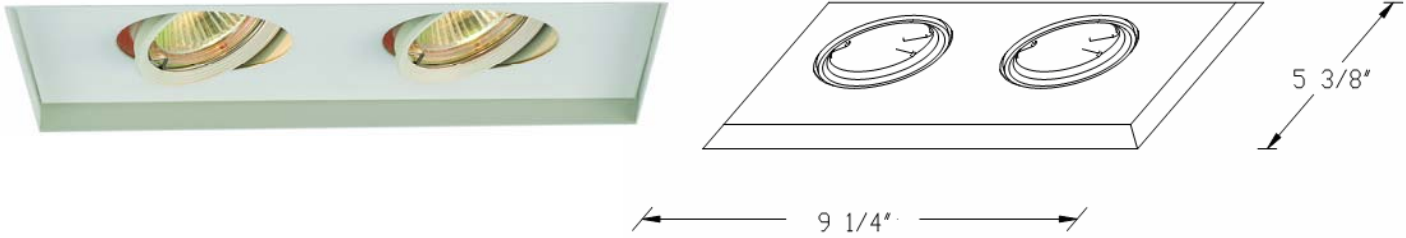


<u>CATALOG NUMBER</u>	<u>TYPE</u>
<u>PROJECT</u>	

MULTIPLE SPOTS MT-216TL



Ordering Matrix

Series	Model Number	Finish
--------	--------------	--------

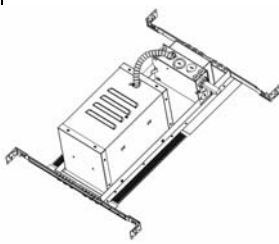
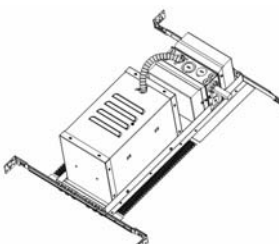
[]	[]	[]
MT: Multiple Spots	216: 2 X MR16 or ES16 Lamps TL : Trimless	WT: White

Ordering Example (series – model number – Finish): MT-216TL-WT

Product Details	
Description:	Gimbal ring style adjustable trim for use with MT-216HS or MT-216MH housings. Use in new construction or suspended ceilings.
Materials:	Durable stamped metal construction.
Aiming:	Lamp holder allows the lamp to be tilted to 25° from nadir. All lamps have horizontal aiming to 358°.
Lamping:	12 volt MR16 lamp, up to 50W max. Or ES16 Lamp, 20W or 35W Lamps are sold separately.
Finish:	Abrasion resistant powder coat painted finish. WT = White baffle with White trim.
Listing:	UL & CUL Listed. Suitable for damp locations.

Specification Features
<ul style="list-style-type: none"> The supplied clear glass lens can be replaced with one lens accessory such as a colored dichroic lens, UV filter lens, frosted lens, etc. Two torsion springs allow trims to be taken from housing expediently. 5 years WAC Lighting product warranty.

Compatible Housings (Sold Separately)

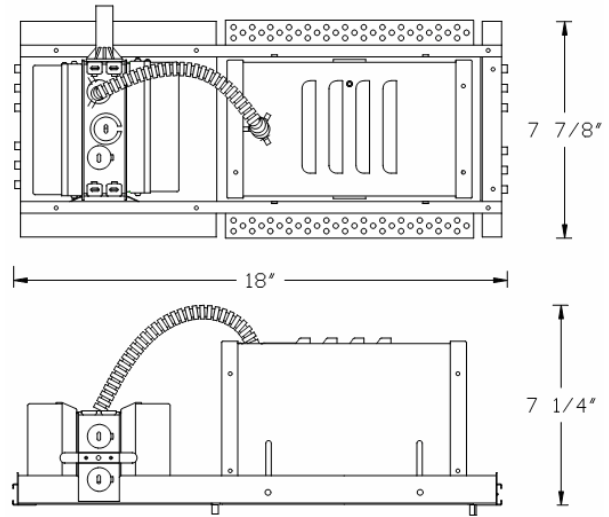
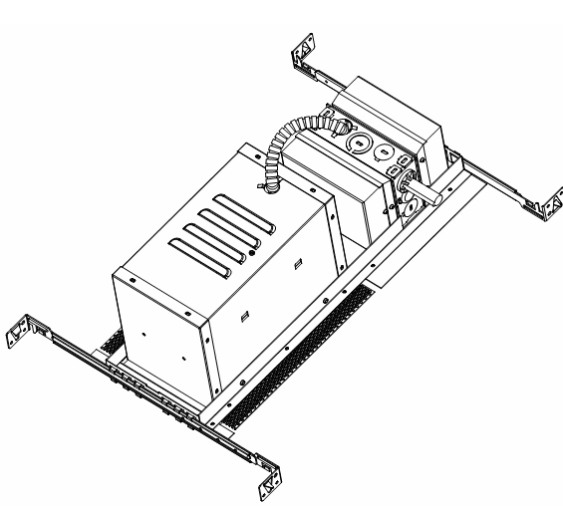
<p>MT-216HS</p> <p>Non IC</p> <p>New construction housing</p> <p>Integral Electronic Transformer</p> <p>Lamp: MR16, 50W max</p>		<p>MT-216MH</p> <p>Non IC</p> <p>New construction housing</p> <p>Dual-Voltage (120V/277V) Ballast</p> <p>Lamp: ES16, 20W or 35W</p>	
---	---	---	---

Note: The full catalog number for a complete downlight includes the model numbers for both the trim and the housing.

CATALOG NUMBER	TYPE
PROJECT	

MULTIPLE SPOTS

MT-216MH-20



Ordering Matrix			
Series	Model Number	Watt	Trim
[]	[]	[]	[]
MT: Multiple Spots	216: 2 X ES16 Lamps MH : Metal Halide	20: 20 Watts	See page two

Ordering Example (series – model number + trim):MT-216MH-20 + MT-216-WT/WT

Product Details	
Description:	An adjustable recessed fixture for new construction applications.
Materials:	Housing and halftones are aluminium. Frame, junction box and hanger bars are all heavy gauge galvanized steel.
Mounting:	Supplied with hanger bars, adjustable from 12" to 24" to accommodate various joist construction and grid sizes. Accommodates surface thickness of 1/2" to 1". 5 5/8" x 9 5/8" cutout for trimless application. 5 3/16" X 9 1/8" cutout for trim application.
Ratings:	Non-IC rated. Insulation must be kept at least 3" away from the housing.
J-Box:	Seven knockouts and four Romex® style wiring connectors provided for ease of installation. Rated for branch and chain wiring.
Lamp & Transformer:	ES16 Metal Halide lamp, 20W, sold separately. Pulse start electronic ballast, 120V/277V.
Thermal Protection:	Thermal protection provided to guard against overheating and misuse of insulation over and around fixture.
Listing:	UL & CUL Listed. Suitable for damp locations.

Specification Features
<ul style="list-style-type: none"> • First metal halide reflector lamp to integrate high output, excellent light quality and superb energy efficiency in a compact highly distinctive package. • Offer a variety of options and architectural flexibility. • Ceramic Metal Halide lamps deliver maximum performance, color rendition, texture definition and longer lamp life. • 5 years WAC Lighting product warranty.

Compatible Trims (Sold Separately)

MT-216 Step baffle

Finish	Trim	Baffle
WT/BK	White	Black
WT/WT	White	White

Two 20W ES16 lamps.



MT-216TL Step baffle

Finish	Trim	Baffle
WT	White	White

Two 20W ES16 lamps.



Finish Key:

BK-Black, WT-White

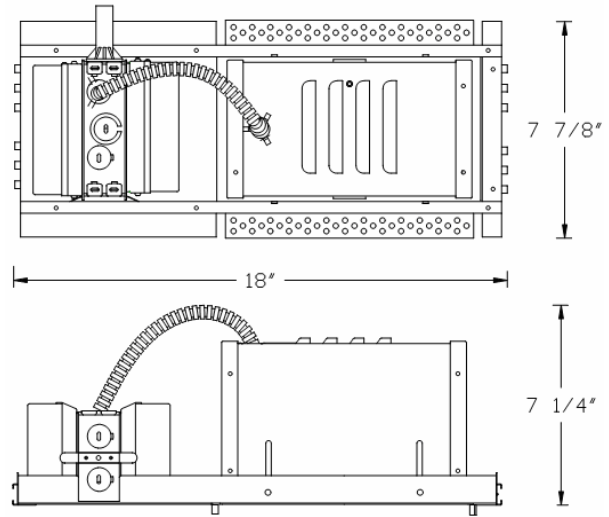
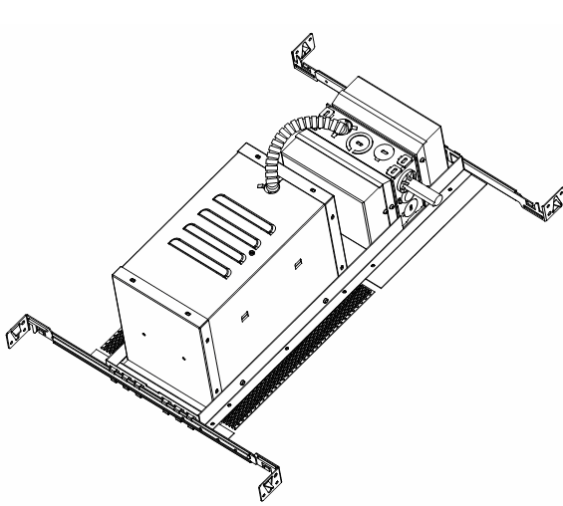
Notes:

The full catalog number for a complete multiple spots includes the model numbers for both the trim and the housing. More information regarding each individual trim can be viewed on the individual trim spec sheets.

CATALOG NUMBER	TYPE
PROJECT	

MULTIPLE SPOTS

MT-216MH-35



Ordering Matrix			
Series	Model Number	Watt	Trim
[]	[]	[]	[]
MT: Multiple Spots	216: 2 X ES16 Lamps MH : Metal Halide	35: 35 Watts	See page two

Ordering Example (series – model number + trim):MT-216MH-35 + MT-216-WT/WT

Product Details	
Description:	An adjustable recessed fixture for new construction applications.
Materials:	Housing and halftones are aluminium. Frame, junction box and hanger bars are all heavy gauge galvanized steel.
Mounting:	Supplied with hanger bars, adjustable from 12" to 24" to accommodate various joist construction and grid sizes. Accommodates surface thickness of 1/2" to 1". 5 5/8" x 9 5/8" cutout for trimless application. 5 3/16" X 9 1/8" cutout for trim application.
Ratings:	Non-IC rated. Insulation must be kept at least 3" away from the housing.
J-Box:	Seven knockouts and four Romex® style wiring connectors provided for ease of installation. Rated for branch and chain wiring.
Lamp & Transformer:	ES16 Metal Halide lamp, 35W, sold separately. Pulse start electronic ballast, 120V/277V.
Thermal Protection:	Thermal protection provided to guard against overheating and misuse of insulation over and around fixture.
Listing:	UL & CUL Listed. Suitable for damp locations.

Specification Features
<ul style="list-style-type: none"> • First metal halide reflector lamp to integrate high output, excellent light quality and superb energy efficiency in a compact highly distinctive package. • Offer a variety of options and architectural flexibility. • Ceramic Metal Halide lamps deliver maximum performance, color rendition, texture definition and longer lamp life. • 5 years WAC Lighting product warranty.

Compatible Trims (Sold Separately)

MT-216 Step baffle

Finish	Trim	Baffle
WT/BK	White	Black
WT/WT	White	White

Two 35W ES16 lamps.



MT-216TL Step baffle

Finish	Trim	Baffle
WT	White	White

Two 35W ES16 lamps.



Finish Key:

BK-Black, WT-White

Notes:

The full catalog number for a complete multiple spots includes the model numbers for both the trim and the housing. More information regarding each individual trim can be viewed on the individual trim spec sheets.