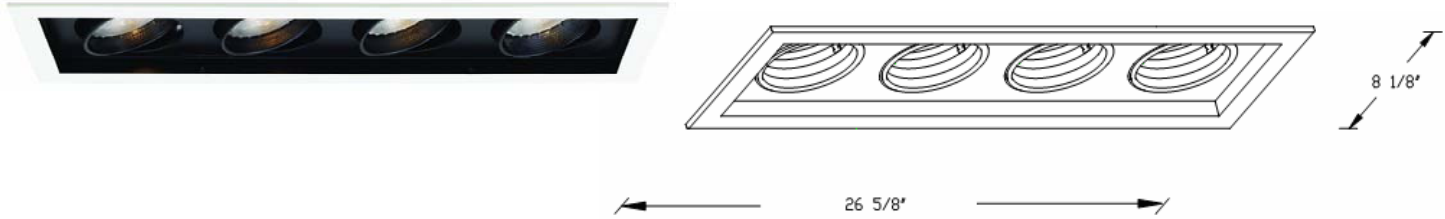


<u>CATALOG NUMBER</u>	<u>TYPE</u>
<u>PROJECT</u>	

**MULTIPLE SPOTS** MT-430MH



Ordering Matrix		
Series	Model Number	Finish
[ ]	[ ]	[ ]
MT: Multiple Spots	430: 4 X CDM PAR30L Lamps MH : Metal Halide	WT/WT      WT/BK

Ordering Example (series – model number – Finish): MT-430MH-WT/WT

Product Details	
<b>Description:</b>	Gimbal ring style adjustable trim for use with MT-430MH housings. Use in new construction or suspended ceilings.
<b>Materials:</b>	Durable stamped metal construction.
<b>Aiming:</b>	Lamp holder allows the lamp to be tilted to 25° from nadir. All lamps have horizontal aiming to 358°.
<b>Lamping:</b>	CDM PAR30L Metal Halide lamp, 20W or 39W or 70W. Lamps are sold separately.
<b>Finish:</b>	Abrasion resistant powder coat painted finish. WT/BK=Black baffle with White trim. WT/WT=White baffle with White trim
<b>Listing:</b>	UL & CUL Listed. Suitable for damp locations.

Specification Features
<ul style="list-style-type: none"> <li>Two torsion springs allow trims to be taken from housing expediently.</li> <li>5 years WAC Lighting product warranty.</li> </ul>

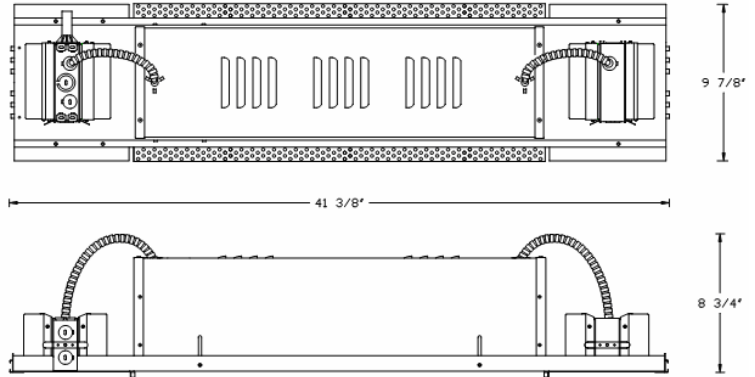
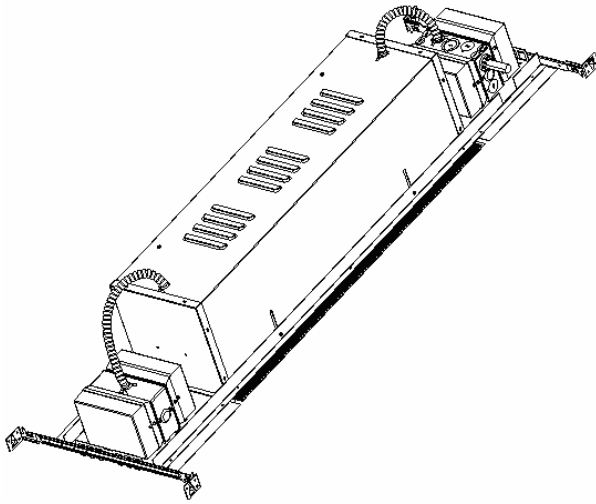
Compatible Housings (Sold Separately)	
MT-430MH  Non IC New construction housing Pulse start electronic ballasts, 120V/277V Lamp: CDM PAR30L, 20W or 39W or 70W	

**Note: The full catalog number for a complete downlight includes the model numbers for both the trim and the housing.**

<b>CATALOG NUMBER</b>	<b>TYPE</b>
<b>PROJECT</b>	

**MULTIPLE SPOTS**

**MT-430MH-20**



<b>Ordering Matrix</b>			
<b>Series</b>	<b>Model Number</b>	<b>Watt</b>	<b>Trim</b>
[ ]	[ ]	[ ]	[ ]
MT: Multiple Spots	430: 4 X CDM PAR30L Lamps MH : Metal Halide	20: 20 Watts	See page two

Ordering Example (series – model number + trim):MT-430MH-20 + MT-430MH-WT/WT

<b>Product Details</b>	
<b>Description:</b>	An adjustable recessed fixture for new construction applications.
<b>Materials:</b>	Housing and halftones are aluminium. Frame, junction box and hanger bars are all heavy gauge galvanized steel.
<b>Mounting:</b>	Supplied with hanger bars, adjustable from 12" to 24" to accommodate various joist construction and grid sizes. Accommodates surface thickness of 1/2" to 1". 7 5/8" x 26 3/8" cutout for trimless application. 7 3/16" x 25 13/16" cutout for trim application.
<b>Ratings:</b>	Non-IC rated. Insulation must be kept at least 3" away from the housing.
<b>J-Box:</b>	Seven knockouts and four Romex® style wiring connectors provided for ease of installation. Rated for branch and chain wiring.
<b>Lamps &amp; Ballasts:</b>	CDM PAR30L Metal Halide lamps, 20W, sold separately. Pulse start electronic ballasts, 120V/277V.
<b>Thermal Protection:</b>	Thermal protection provided to guard against overheating and misuse of insulation over and around fixture.
<b>Listing:</b>	UL & CUL Listed. Suitable for damp locations.

<b>Specification Features</b>
<ul style="list-style-type: none"> <li>• First metal halide reflector lamp to integrate high output, excellent light quality and superb energy efficiency in a compact highly distinctive package.</li> <li>• Offer a variety of options and architectural flexibility.</li> <li>• Ceramic Metal Halide lamps deliver maximum performance, color rendition, texture definition and longer lamp life.</li> <li>• 5 years WAC Lighting product warranty.</li> </ul>

### Compatible Trims (Sold Separately)

#### MT-430MH Step baffle

Finish	Trim	Baffle
WT/BK	White	Black
WT/WT	White	White

Four 20W CDM PAR30L lamps.



#### MT-430MHTL Step baffle

Finish	Trim	Baffle
WT	White	White

Four 20W CDM PAR30L lamps.



#### Finish Key:

BK-Black, WT-White

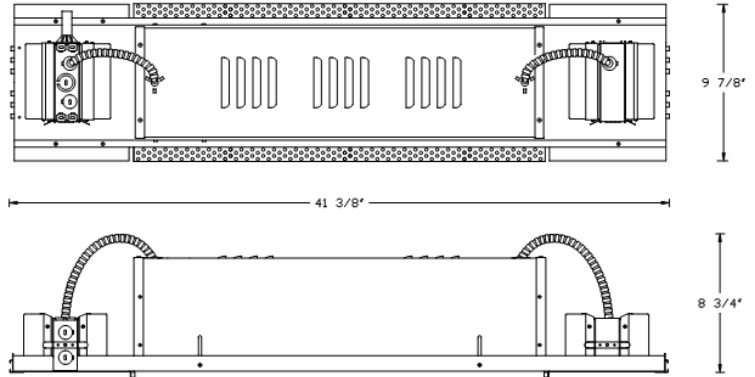
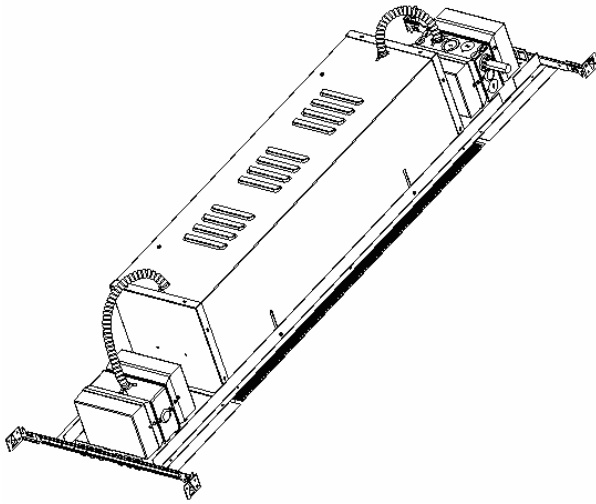
#### Notes:

The full catalog number for a complete multiple spots includes the model numbers for both the trim and the housing. More information regarding each individual trim can be viewed on the individual trim spec sheets.

<u>CATALOG NUMBER</u>	<u>TYPE</u>
<u>PROJECT</u>	

**MULTIPLE SPOTS**

**MT-430MH-39**



**Ordering Matrix**

Series	Model Number	Watt	Trim
<input type="text"/>	<input type="text"/>	<input type="text"/>	<input type="text"/>
MT: Multiple Spots	430: 4 X CDM PAR30L Lamps MH : Metal Halide	39: 39 Watts	See page two

Ordering Example (series – model number + trim):MT-430MH-39 + MT-430MH-WT/WT

**Product Details**

<b>Description:</b>	An adjustable recessed fixture for new construction applications.
<b>Materials:</b>	Housing and halftones are aluminium. Frame, junction box and hanger bars are all heavy gauge galvanized steel.
<b>Mounting:</b>	Supplied with hanger bars, adjustable from 12" to 24" to accommodate various joist construction and grid sizes. Accommodates surface thickness of 1/2" to 1". 7 5/8" x 26 3/8" cutout for trimless application. 7 3/16" x 25 13/16" cutout for trim application.
<b>Ratings:</b>	Non-IC rated. Insulation must be kept at least 3" away from the housing.
<b>J-Box:</b>	Seven knockouts and four Romex® style wiring connectors provided for ease of installation. Rated for branch and chain wiring.
<b>Lamps &amp; Ballasts:</b>	CDM PAR30L Metal Halide lamps, 39W, sold separately. Pulse start electronic ballasts, 120V/277V.
<b>Thermal Protection:</b>	Thermal protection provided to guard against overheating and misuse of insulation over and around fixture.
<b>Listing:</b>	UL & CUL Listed. Suitable for damp locations.

**Specification Features**

<ul style="list-style-type: none"> <li>• First metal halide reflector lamp to integrate high output, excellent light quality and superb energy efficiency in a compact highly distinctive package.</li> <li>• Offer a variety of options and architectural flexibility.</li> <li>• Ceramic Metal Halide lamps deliver maximum performance, color rendition, texture definition and longer lamp life.</li> <li>• 5 years WAC Lighting product warranty.</li> </ul>
---

### Compatible Trims (Sold Separately)

#### MT-430MH Step baffle

Finish	Trim	Baffle
WT/BK	White	Black
WT/WT	White	White

Four 39W CDM PAR30L lamps.



#### MT-430MHTL Step baffle

Finish	Trim	Baffle
WT	White	White

Four 39W CDM PAR30L lamps.



#### Finish Key:

BK-Black, WT-White

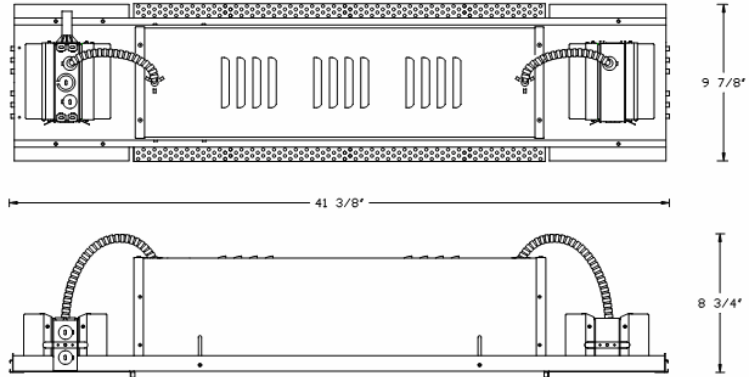
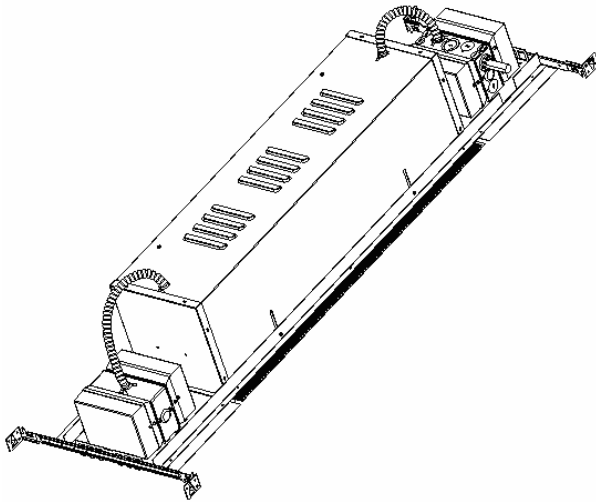
#### Notes:

The full catalog number for a complete multiple spots includes the model numbers for both the trim and the housing. More information regarding each individual trim can be viewed on the individual trim spec sheets.

<b>CATALOG NUMBER</b>	<b>TYPE</b>
<b>PROJECT</b>	

**MULTIPLE SPOTS**

**MT-430MH-70**



**Ordering Matrix**

Series	Model Number	Watt	Trim
<input type="text"/>	<input type="text"/>	<input type="text"/>	<input type="text"/>
MT: Multiple Spots	430: 4 X CDM PAR30L Lamps MH : Metal Halide	70: 70 Watts	See page two

Ordering Example (series – model number + trim):MT-430MH-70 + MT-430MH-WT/WT

**Product Details**

<b>Description:</b>	An adjustable recessed fixture for new construction applications.
<b>Materials:</b>	Housing and halftones are aluminium. Frame, junction box and hanger bars are all heavy gauge galvanized steel.
<b>Mounting:</b>	Supplied with hanger bars, adjustable from 12" to 24" to accommodate various joist construction and grid sizes. Accommodates surface thickness of 1/2" to 1". 7 5/8" x 26 3/8" cutout for trimless application. 7 3/16" x 25 13/16" cutout for trim application.
<b>Ratings:</b>	Non-IC rated. Insulation must be kept at least 3" away from the housing.
<b>J-Box:</b>	Seven knockouts and four Romex® style wiring connectors provided for ease of installation. Rated for branch and chain wiring.
<b>Lamps &amp; Ballasts:</b>	CDM PAR30L Metal Halide lamps, 70W, sold separately. Pulse start electronic ballasts, 120V/277V.
<b>Thermal Protection:</b>	Thermal protection provided to guard against overheating and misuse of insulation over and around fixture.
<b>Listing:</b>	UL & CUL Listed. Suitable for damp locations.

**Specification Features**

<ul style="list-style-type: none"> <li>• First metal halide reflector lamp to integrate high output, excellent light quality and superb energy efficiency in a compact highly distinctive package.</li> <li>• Offer a variety of options and architectural flexibility.</li> <li>• Ceramic Metal Halide lamps deliver maximum performance, color rendition, texture definition and longer lamp life.</li> <li>• 5 years WAC Lighting product warranty.</li> </ul>
---

### Compatible Trims (Sold Separately)

#### MT-430MH Step baffle

Finish	Trim	Baffle
WT/BK	White	Black
WT/WT	White	White

Four 70W CDM PAR30L lamps.



#### MT-430MHTL Step baffle

Finish	Trim	Baffle
WT	White	White

Four 70W CDM PAR30L lamps.



#### Finish Key:

BK-Black, WT-White

#### Notes:

The full catalog number for a complete multiple spots includes the model numbers for both the trim and the housing. More information regarding each individual trim can be viewed on the individual trim spec sheets.