

## INSTRUCTIONS

Model:

## Low Voltage Track Fixture

HHT-874

HHT-874L

### Caution:

Read all instructions before installing.

Switch off power before installing or re-lamping.

Do not attempt to energize anything other than a track light fixture.

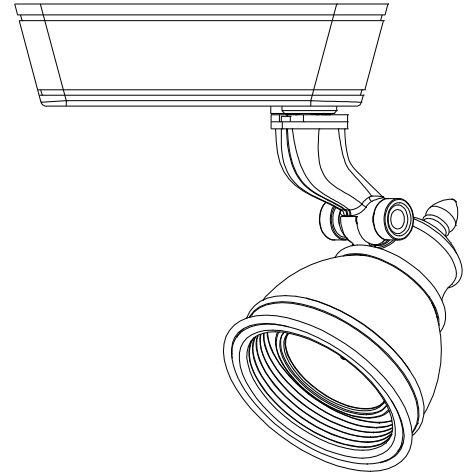
All installation shall be in accordance with NEC and all local codes.

To reduce the risk of a burn during re-lamping, remove from the track before re-lamping.

### Overview:

Low voltage track lighting fixture with 50 or 75 watt electronic transformer for use with WAC "HT" series track.

Fixture may also be compatible with other manufacturer's brand of track (consult factory for compatibility).



### Lamping:

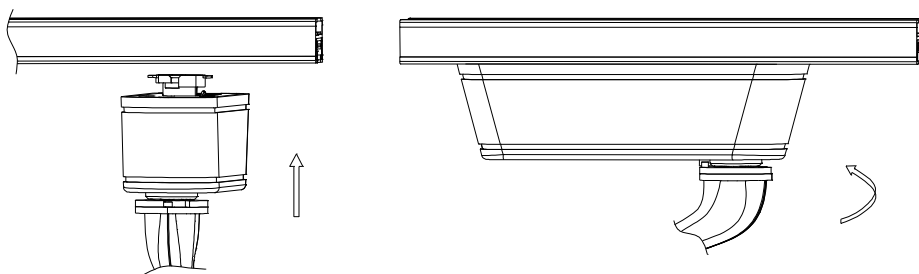
HHT-874 uses a 12v MR16G lamp, 50watt max.

HHT-874L uses a 12v MR16G lamp, 75watt max.

1. Look through the open side of the fixture and align the pins of the lamp with the holes in the socket.
2. Gently push the front edges of the lamp until you feel it seat in the socket holes.

### Fixture Installation:

1. Note the track head contacts, and the polarity groove running the length of the track.
2. The two contacts should be positioned so that when rotated, they will face the grooved side of the track (this is the side with two flat copper wires running it's length).
3. Insert adapter into track slot. Rotate the adapter 90°.
4. Center the locking tab until it seats in the track slot.
5. Removal is the reverse procedure. Tracks may be positioned anywhere along the track length.
6. Not suitable for use on wall mounted track.



Retain instructions for future reference.

## INSTRUCTIONS

Model:

## Low Voltage Track Fixture

HHT-874-LENS

HHT-874L-LENS

### Caution:

Read all instructions before installing.

Switch off power before installing or re-lamping.

Do not attempt to energize anything other than a track light fixture.

All installation shall be in accordance with NEC and all local codes.

To reduce the risk of a burn during re-lamping, remove from the track before re-lamping.

### Overview:

Low voltage track lighting fixture with 50 or 75 watt electronic transformer for use with WAC "HT" series track.

Fixture may also be compatible with other manufacturer's brand of track (consult factory for compatibility).

### Lamping:

HHT-874-LENS uses a 12v MR16 lamp, 50watt max.

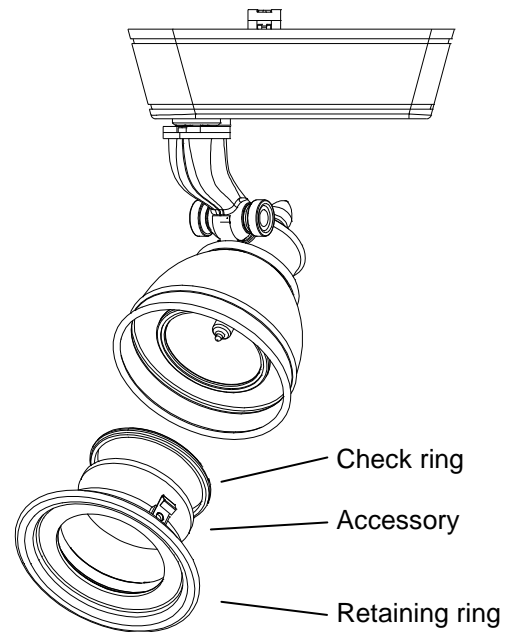
HHT-874L-LENS uses a 12v MR16 lamp, 75watt max

1. Look through the open side of the fixture and align the pins of the lamp with the holes in the socket.
2. Gently push the front edges of the lamp until you feel it seat in the socket holes.

### Accessories:

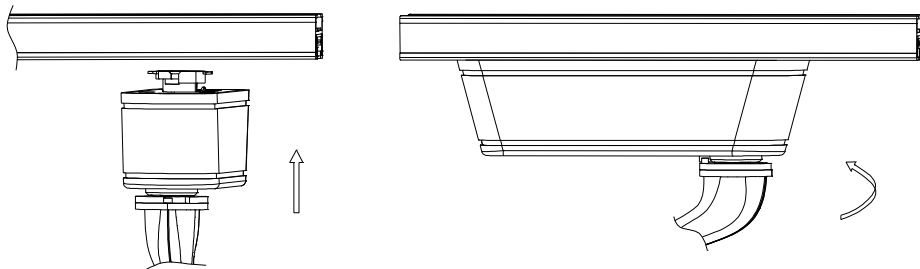
Fixture accepts up to two accessories. The check ring may be removed and an accessory lens and/or louver can be inserted into the form fitting recess. Accessory combinations could be a diachronic lens with honeycomb louver, colored lens with cross baffle louver, etc.

1. Once the retaining ring has been removed, unscrew the check ring.
2. Place the new lens or louver into the recess and re-install the check ring.



### Fixture Installation:

1. Note the track head contacts, and the polarity groove running the length of the track.
2. The two contacts should be positioned so that when rotated, they will face the grooved side of the track (this is the side with two flat copper wires running it's length).
3. Insert adapter into track slot. Rotate the adapter 90°.
4. Center the locking tab until it seats in the track slot.
5. Removal is the reverse procedure. Tracks may be positioned anywhere along the track length.
6. Not suitable for use on wall mounted track.



Retain instructions for future reference.

## INSTRUCTIONS

## Low Voltage Track Fixture

Model:

LHT-874

LHT-874L

### Caution:

Read all instructions before installing.

Switch off power before installing or re-lamping.

Do not attempt to energize anything other than a track light fixture.

All installation shall be in accordance with NEC and all local codes.

To reduce the risk of a burn during re-lamping, remove from the track before re-lamping.

### Overview:

Low voltage track lighting fixture with 50 or 75 watt electronic transformer for use with WAC "LT" series track.

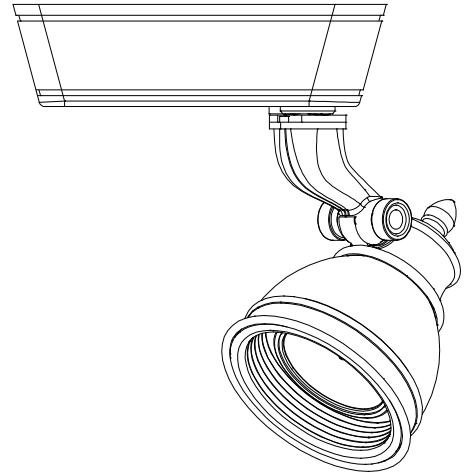
Fixture may also be compatible with other manufacturer's brand of track (consult factory for compatibility).

### Lamping:

LHT-874 uses a 12v MR16G lamp, 50watt max.

LHT-874L uses a 12v MR16G lamp, 75watt max

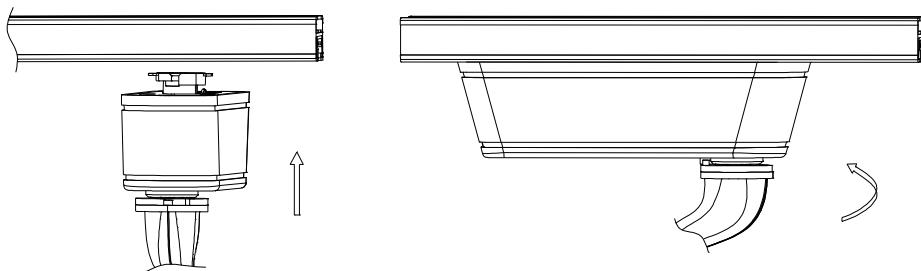
1. Look through the open side of the fixture and align the pins of the lamp with the holes in the socket.
2. Gently push the front edges of the lamp until you feel it seat in the socket holes.



### Fixture Installation:

1. Note the track has a ridge running its length to indicate polarity.
2. Note the slant of the locking tab.
3. Insert adapter into track channel and rotate it 90° so that the low side of the locking tab faces the ridged side of the track.
4. Make sure the locking tab seats in the track channel.
5. Removal is the reverse procedure. Track heads may be positioned anywhere along the length of track.

**Note:** "LT" series track accepts only W.A.C. track heads.



Retain instructions for future reference.

## INSTRUCTIONS

Model:

## Low Voltage Track Fixture

LHT-874-LENS

LHT-874L-LENS

### Caution:

Read all instructions before installing.

Switch off power before installing or re-lamping.

Do not attempt to energize anything other than a track light fixture.

All installation shall be in accordance with NEC and all local codes.

To reduce the risk of a burn during relamping, remove from the track before relamping.

### Overview:

Low voltage track lighting fixture with 50 or 75 watt electronic transformer for use with WAC "LT" series track.

Fixture may also be compatible with other manufacturer's brand of track (consult factory for compatibility).

### Lamping:

LHT-874-LENS uses a 12v MR16 lamp, 50watt max.

LHT-874L-LENS uses a 12v MR16 lamp, 75watt max

1. Look through the open side of the fixture and align the pins of the lamp with the holes in the socket.
2. Gently push the front edges of the lamp until you feel it seat in the socket holes.

### Accessories:

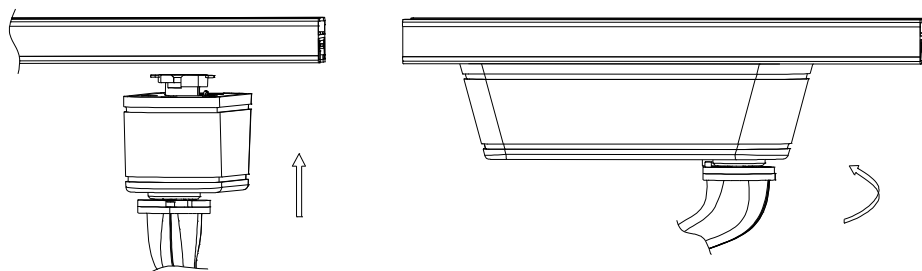
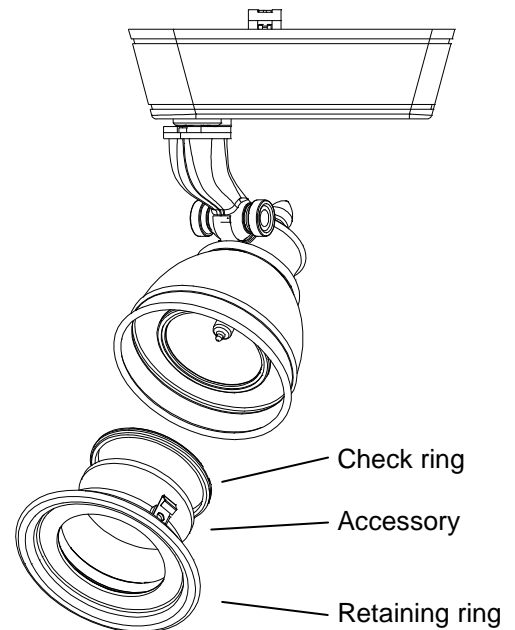
Fixture accepts up to two accessories. The check ring may be removed and an accessory lens and/or louver can be inserted into the form fitting recess. Accessory combinations could be a dichroic lens with honeycomb louver, colored lens with cross baffle louver, etc.

1. Once the retaining ring has been removed, unscrew the check ring.
2. Place the new lens or louver into the recess and re-install the check ring.

### Fixture Installation:

1. Note the track has a ridge running its length to indicate polarity.
2. Note the slant of the locking tab.
3. Insert adapter into track channel and rotate it 90° so that the low side of the locking tab faces the ridged side of the track.
4. Make sure the locking tab seats in the track channel.
5. Removal is the reverse procedure. Track heads may be positioned anywhere along the length of track.

**Note:** "LT" series track accepts only W.A.C. track heads.



Retain instructions for future reference.

## INSTRUCTIONS

Model:

## Low Voltage Track Fixture

JHT-874

JHT-874L

### Caution:

Read all instructions before installing.

Switch off power before installing or re-lamping.

Do not attempt to energize anything other than a track light fixture.

All installation shall be in accordance with NEC and all local codes.

To reduce the risk of a burn during re-lamping, remove from the track before re-lamping.

### Overview:

Low voltage track lighting fixture with 50 or 75 watt electronic transformer for use with WAC "JT" series track.

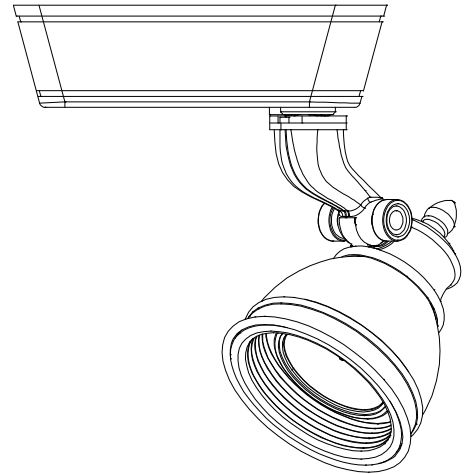
Fixture may also be compatible with other manufacturer's brand of track (consult factory for compatibility).

### Lamping:

JHT-874 uses a 12v MR16G lamp, 50watt max.

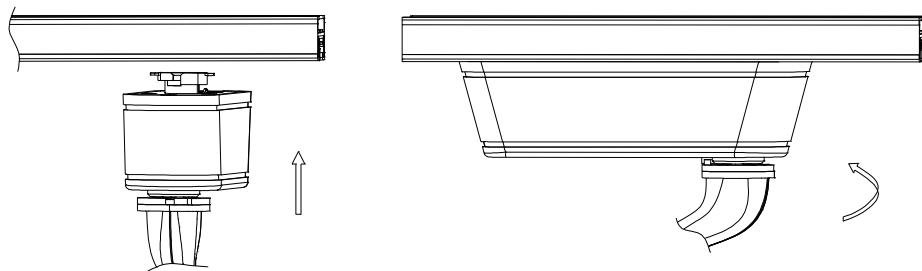
JHT-874L uses a 12v MR16G lamp, 75watt max

1. Look through the open side of the fixture and align the pins of the lamp with the holes in the socket.
2. Gently push the front edges of the lamp until you feel it seat in the socket holes.



### Fixture Installation:

1. Note the track has a groove running its length to indicate polarity.
2. Note the arrow on the locking tab.
3. Insert adapter into track slot and rotate it 90°. The arrow should point to the grooved side of the track.
4. Make sure the locking tab seats in the track slot.
5. Removal is the reverse procedure. Track heads may be positioned anywhere along the track length.



Retain instructions for future reference.

## INSTRUCTIONS

## Low Voltage Track Fixture

Model:

JHT-874-LENS

JHT-874L-LENS

### Caution:

Read all instructions before installing.

Switch off power before installing or re-lamping.

Do not attempt to energize anything other than a track light fixture.

All installation shall be in accordance with NEC and all local codes.

To reduce the risk of a burn during re-lamping, remove from the track before re-lamping.

### Overview:

Low voltage track lighting fixture with 50 or 75 watt electronic transformer for use with WAC "JT" series track.

Fixture may also be compatible with other manufacturer's brand of track (consult factory for compatibility).

### Lamping:

JHT-874-LENS uses a 12v MR16 lamp, 50watt max.

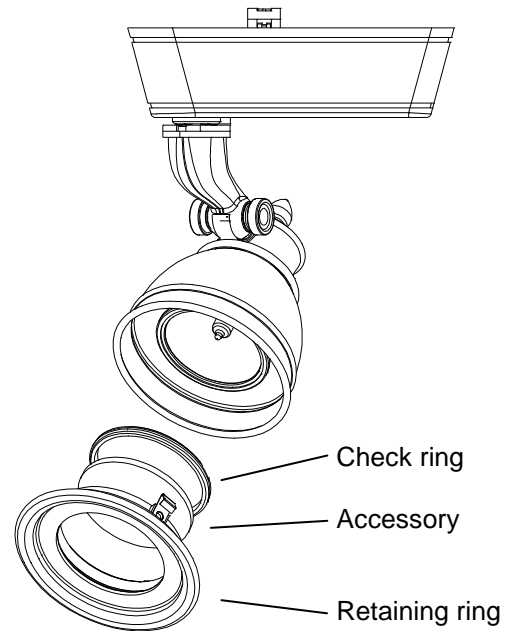
JHT-874L-LENS uses a 12v MR16 lamp, 75watt max

1. Look through the open side of the fixture and align the pins of the lamp with the holes in the socket.
2. Gently push the front edges of the lamp until you feel it seat in the socket holes.

### Accessories:

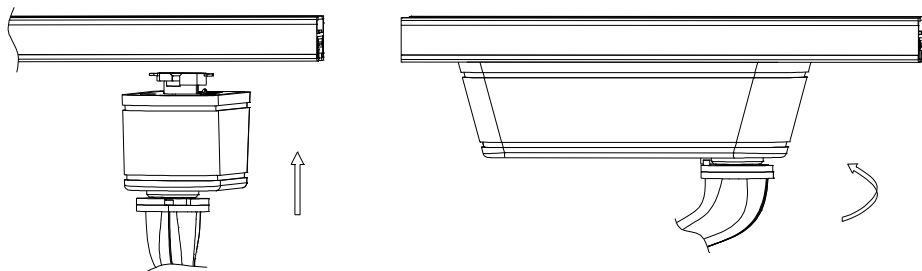
Fixture accepts up to two accessories. The check ring may be removed and an accessory lens and/or louver can be inserted into the form fitting recess. Accessory combinations could be a dichroic lens with honeycomb louver, colored lens with cross baffle louver, etc.

1. Once the retaining ring has been removed, unscrew the check ring.
2. Place the new lens or louver into the recess and re-install the check ring.



### Fixture Installation:

1. Note the track has a groove running its length to indicate polarity.
2. Note the arrow on the locking tab.
3. Insert adapter into track slot and rotate it 90°. The arrow should point to the grooved side of the track.
4. Make sure the locking tab seats in the track slot.
5. Removal is the reverse procedure. Track heads may be positioned anywhere along the track length.



Retain instructions for future reference.