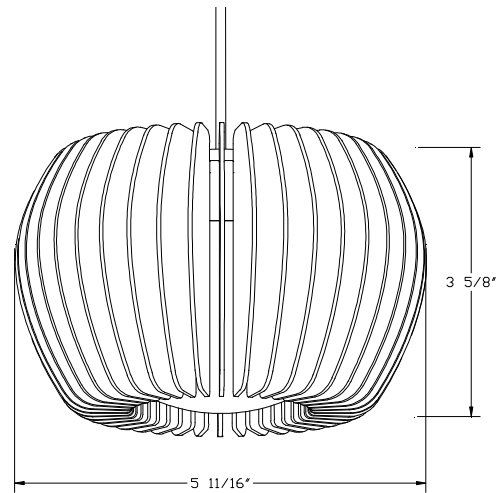


<b>CATALOG NUMBER</b>	<b>TYPE</b>
<b>PROJECT</b>	

**LEDme™ PENDANT** **ÜBER**



Ordering Number for Canopy Application			
Model Number	Finishes		
MP-LED315	BK/BN	BK/CH	BK/DB

Ordering Matrix for Solorail™/Duorail™ Application	
Model Number	Finish of Pendant and Quick Connect™ Adapter (to match rail)

QPLED315	BK/BN	BK/CH	BK/DB
----------	-------	-------	-------

Ordering Examples (model number/adapter finish): QPLED315-BK/BN

Product Details		Specification Features
<b>Description:</b>	Energy efficient LEDme™ Pendant in a modern and visually rhythmic form, chic black finish. Easy installation and height adjustment.	<ul style="list-style-type: none"> <li>LED pendant comes with 6 feet of cable and may be field adjusted to any length.</li> <li>Free of projected heat, IR, and UV</li> <li>Dimmable with ELV dimmer (Range from 100% to 15%)</li> <li>50,000 hour lifetime</li> <li>Replaceable LED module</li> <li>5 year WAC lighting product warranty</li> </ul>
<b>Compatible Systems:</b>	MP pendant must use MP-LED05M-BN canopy (included). QP pendant is compatible with 12V Solorail™ and Duorail™ systems.	
<b>LED Engine:</b>	Input power: 4.5W                      Input Voltage: 12V AC Fixture lumen: 180 lm Color temperature: 3000K      CRI: 85	
<b>Dimming:</b>	Dimmable MP pendant with electronic low voltage dimmer. Dimmable QP pendant with electronic low voltage dimmer when using a magnetic transformer.	
<b>Materials:</b>	Aluminum construction, acrylic diffuser and six feet of a low voltage braided wire	
<b>Finish:</b>	Anodized BK	
<b>Listing:</b>	UL & CUL Listed.	