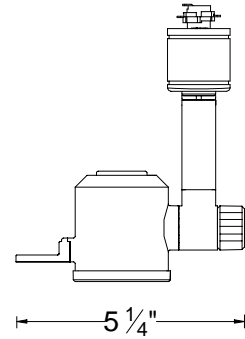
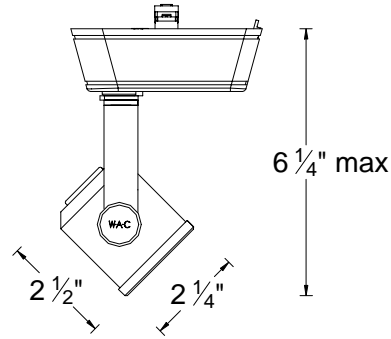


<b>CATALOG NUMBER</b>	<b>TYPE</b>
<b>PROJECT</b>	

**LOW VOLTAGE TRACK HEAD**

**SERIES 846**



Ordering Matrix			Series		Finish	
Model			Series		Finish	
<input type="text"/>			<input type="text"/>		<input type="text"/>	
HHT	JHT	LHT	846	846L	BK	WT

Ordering Example (model – series – finish): HHT-846-BK

**Product Details**

**Description:** Premier series low voltage track head for use with W.A.C. brand H, L, J & J2 series track systems. In addition it may fit other manufacturer's original track (consult factory for specific brands).

**Materials:** Die-cast aluminum track head with polycarbonate transformer case and track adapter. Bi-pin ceramic socket for MR16 lamp. Clear lens.

**Aiming:** 350° horizontal rotation and 90° vertical aiming. One locking tension knob serves as part of the fixture design and retains the vertical aiming angle.

**Lamp & Transformer:** MR16 lamp. 50w max. for the 846 and 75w max. for the 846L. Lamp sold separately. Integral electronic transformer for 12 volt MR16 lamps. 120V input. Dimmable with electronic low voltage dimmers.

**Systems:** HHT is used with the W.A.C. H system track (HT). JHT is used with the W.A.C. J system and J2 system track (JT & J2-T). LHT is used with the W.A.C. L system track (LT).

**Finish:** Abrasion resistant powder coat paint finish. Black (BK) or White (WT).

**Listing:** U.L. & C.U.L. listed. 2 year W.A.C. Lighting product warranty.

**Specification Features**

- "Quick-Ship" item, always in stock and available for immediate shipment.
- The supplied clear glass lens can be replaced with one lens accessory such as a colored dichroic lens, UV filter lens, frosted lens, etc. See catalog or website for full lens accessory selection.
- Low voltage track head extensions are available if longer than standard drops are required. Add X(*length*) to the front of the ordering code i.e. X24-HHT-846-BK. Ordered as Black, or White.

**Compatible Accessories**

JCLIP  
 Ordered when using track heads on 2<sup>nd</sup> circuit of J2 style track.



Order as JCLIP

Low Voltage Extensions  
 Factory installed.  
 Available in 6", 12", 18", 24", 36", 48", 72", 96" lengths.



Order as X(*length*)