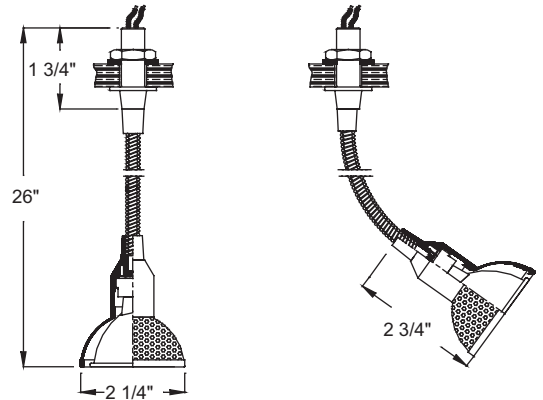




Shown with MBS16 Mesh Bulb Shield



**Catalog Information**

Model	Lamp Type/Max Watt		Description	Finishes
	MR11	MR16		
MM-204-BK	20W – 35W	20W – 75W	Surface Mounted Low Voltage Flexible	Black
MM-204-WT	20W – 35W	20W – 75W	Surface Mounted Low Voltage Flexible	White
MM-204-BN	20W – 35W	20W – 75W	Surface Mounted Low Voltage Flexible	Brushed Nickel

**Product Features**

- Application:** Surface mount fixture for displays. Requires access from behind the fixture.
- Lamping:** Re-lamps from the front. Accepts MR16 or MR11 protective glass covered lamps. An accessory lens can be used with a standard, uncovered MR16G lamp (lens clip must be used, specify LENS-16-CLIP).
- Socket:** Bi-pin ceramic with 18 gauge Teflon insulated wires, sleeves.
- Transformer:** Requires a remote transformer (not supplied).

**Transformer Selection**

Model	Description	Volt	Watt	Finish
EN-12P-AR	Electronic	120-12V	60W	WT
EN-12PL-AR	Electronic	120-12V	75W	WT
EN-12PS	Electronic	120-12V	60W	WT
EN-12PE-AR	Electronic	120-12V	100W	BK
EN-12PX-AR	Electronic	120-12V	150W	BK
EN-24PX-AR	Electronic	120-24V	150W	BK
EN-B12PY-AR	Electronic	120-12V	250W	GY
EN-B24PZ-AR	Electronic	120-24V	300W	BK
EN-33PS	Electronic	120-12V	60W	BK, WT
SRT-250M	Magnetic	120-12/24V	250W	GY
SRT-500M	Magnetic	120-12/24V	500W	GY
SRT-1000M	Magnetic	120-24V	1000W	BK

Finish Key: BK-Black, GY-Gray, WT-White

**Options / Accessories**

- Lens Options: Colored, Colored Dichroic, Ultra Violet, Beam Elongating, and Spread lenses.
- Honey Comb Louver to be used with a Lens Clip and a protective glass covered MR16G lamp. Specify LENS-16-CLIP (only available in the MR16 size).
- Mesh and solid bulb shields are available for both MR16 and MR11 sizes, but cannot be used in conjunction with a lens clip.



SBS-16/SBS-11



MBS-16/MBS-11

**Material**

Steel

**Listing**

ETL, CETL Listed.

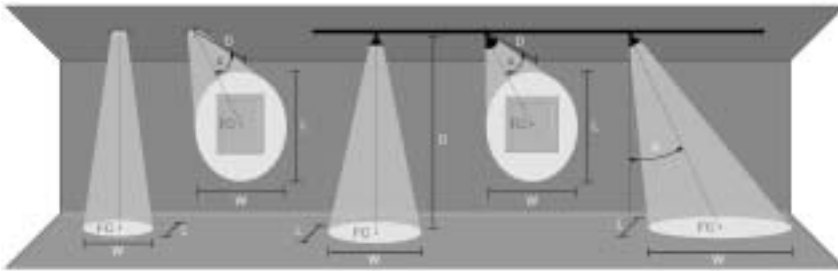
W.A.C. reserves the right to change details that do not affect the overall function and performance.



**SPECIFICATION SHEET**

**LOW VOLTAGE SURFACE MOUNT**

**MODEL MM-204**



<b>Key</b>	In Feet
<b>D</b>	Distance To Fixture From Wall Or Floor
<b>FC</b>	Initial Footcandle Level At Center Of Beam
<b>L</b>	Beam Length(where candlepower drops to 50% of maximum)
<b>W</b>	Beam Width(where candlepower drops to 50% of maximum)
<b>CBCP</b>	Center Beam Candle Power

Lamp Beam Spread	CBCP	0°Aiming Angle				30°Aiming Angle				45°Aiming Angle				60°Aiming Angle			
		D	FC	L	W	D	FC	L	W	D	FC	L	W	D	FC	L	W
20W MR11 NFL 30° FTD	600	2'	150	1.1'	1.1'	2'	97	1.5'	1.2'	2'	53	2.3'	1.5'	2'	19	5.5'	2.1'
		3'	67	1.6'	1.6'	3'	43	2.2'	1.9'	3'	24	3.5'	2.3'	3'	8	8.2'	3.2'
		4'	38	2.1'	2.1'	4'	24	2.9'	2.5'	4'	13	4.6'	3.0'	4'	5	10.9'	4.3'
		5'	24	2.7'	2.7'	5'	16	3.7'	3.1'	5'	8	5.8'	3.8'	5'	3	13.7'	5.4'
20W MR11* NSP 17° FTC	1760	3'	196	0.9'	0.9'	3'	127	1.2'	1.0'	3'	69	1.8'	1.3'	3'	24	3.8'	1.8'
		5'	70	1.5'	1.5'	5'	46	2.0'	1.7'	5'	25	3.1'	2.1'	5'	9	6.4'	3.0'
		7'	36	2.1'	2.1'	7'	23	2.8'	2.4'	7'	13	4.3'	3.0'	7'	4	9.0'	4.2'
		9'	22	2.7'	2.7'	9'	14	3.6'	3.1'	9'	8	5.5'	3.8'	9'	3	11.5'	5.4'
35W MR11* SP 20° FTF	3000	3'	333	1.1'	1.1'	3'	217	1.4'	1.2'	3'	118	2.2'	1.5'	3'	42	4.7'	2.1'
		5'	120	1.8'	1.8'	5'	78	2.4'	2.0'	5'	42	3.6'	2.5'	5'	15	7.8'	3.5'
		7'	61	2.5'	2.5'	7'	40	3.3'	2.9'	7'	22	5.1'	3.5'	7'	8	10.9'	4.9'
		9'	37	3.2'	3.2'	9'	24	4.3'	3.7'	9'	13	6.6'	4.5'	9'	5	14.0'	6.3'
35W MR11 NFL 30° FTH	1300	3'	144	1.6'	1.6'	3'	94	2.2'	1.9'	3'	51	3.5'	2.3'	3'	18	8.2'	3.2'
		5'	52	2.7'	2.7'	5'	34	3.7'	3.1'	5'	18	5.8'	3.8'	5'	7	13.7'	5.4'
		7'	27	3.8'	3.8'	7'	17	5.1'	4.3'	7'	9	8.1'	5.3'	7'	3	19.1'	7.5'
		9'	16	4.8'	4.8'	9'	10	6.6'	5.6'	9'	6	10.4'	6.8'	9'	2	24.6'	9.6'
20W MR16 NSP 15° ESX	3750	3'	417	0.8'	0.8'	3'	271	1.1'	0.9'	3'	147	1.6'	1.1'	3'	52	3.3'	1.6'
		5'	150	1.3'	1.3'	5'	97	1.8'	1.5'	5'	53	2.7'	1.9'	5'	19	5.6'	2.6'
		7'	77	1.8'	1.8'	7'	50	2.5'	2.1'	7'	27	3.8'	2.6'	7'	10	7.8'	3.7'
		9'	46	2.4'	2.4'	9'	30	3.2'	2.7'	9'	16	4.8'	3.4'	9'	6	10.0'	4.7'
20W MR16 FL 40° BAB	525	3'	58	2.2'	2.2'	3'	38	3.0'	2.5'	3'	21	5.0'	3.1'	3'	7	14.5'	4.4'
		5'	21	3.6'	3.6'	5'	14	5.1'	4.2'	5'	7	8.4'	5.1'	5'	3	24.2'	7.3'
		7'	11	5.1'	5.1'	7'	7	7.1'	5.9'	7'	4	11.7'	7.2'	7'	1	33.8'	10.2'
		9'	6	6.6'	6.6'	9'	4	9.1'	7.6'	9'	2	15.1'	9.3'	9'	1	43.5'	13.1'
35W MR16 FL 40° FMW	1000	3'	111	2.2'	2.2'	3'	72	3.0'	2.5'	3'	39	5.0'	3.1'	3'	14	14.5'	4.4'
		5'	40	3.6'	3.6'	5'	26	5.1'	4.2'	5'	14	8.4'	5.1'	5'	5	24.2'	7.3'
		7'	20	5.1'	5.1'	7'	13	7.1'	5.9'	7'	7	11.7'	7.2'	7'	3	33.8'	10.2'
		9'	12	6.6'	6.6'	9'	8	9.1'	7.6'	9'	4	15.1'	9.3'	9'	2	43.5'	13.1'
50W MR16 NSP 15° EXT	8400	3'	933	0.8'	0.8'	3'	606	1.1'	0.9'	3'	330	1.6'	1.1'	3'	117	3.3'	1.6'
		5'	336	1.3'	1.3'	5'	218	1.8'	1.5'	5'	119	2.7'	1.9'	5'	42	5.6'	2.6'
		7'	171	1.8'	1.8'	7'	111	2.5'	2.1'	7'	61	3.8'	2.6'	7'	21	7.8'	3.7'
		9'	104	2.4'	2.4'	9'	67	3.2'	2.7'	9'	37	4.8'	3.4'	9'	13	10.0'	4.7'
50W MR16 NFL 25° EXZ	2900	3'	322	1.3'	1.3'	3'	209	1.8'	1.5'	3'	114	2.8'	1.9'	3'	40	6.2'	2.7'
		5'	116	2.2'	2.2'	5'	75	3.0'	2.6'	5'	41	4.7'	3.1'	5'	15	10.4'	4.4'
		7'	59	3.1'	3.1'	7'	38	4.2'	3.6'	7'	21	6.5'	4.4'	7'	7	14.6'	6.2'
		9'	36	4.0'	4.0'	9'	23	5.4'	4.6'	9'	13	8.4'	5.6'	9'	4	18.7'	8.0'
50W MR16 FL 40° EXN	1700	3'	189	2.2'	2.2'	3'	123	3.0'	2.5'	3'	67	5.0'	3.1'	3'	24	14.5'	4.4'
		5'	68	3.6'	3.6'	5'	44	5.1'	4.2'	5'	24	8.4'	5.1'	5'	9	24.2'	7.3'
		7'	35	5.1'	5.1'	7'	23	7.1'	5.9'	7'	12	11.7'	7.2'	7'	4	33.8'	10.2'
		9'	21	6.6'	6.6'	9'	14	9.1'	7.6'	9'	7	15.1'	9.3'	9'	3	43.5'	13.1'
65W MR16 SP 13° FPA	10880	8'	170	1.8'	1.8'	8'	110	2.4'	2.1'	5'	154	2.3'	1.6'	8'	21	7.6'	3.6'
		12'	76	2.7'	2.7'	12'	49	3.7'	3.2'	7'	79	3.2'	2.3'	12'	9	11.4'	5.5'
		16'	43	3.6'	3.6'	16'	28	4.9'	4.2'	9'	47	4.2'	2.9'	16'	5	15.2'	7.3'
		20'	27	4.6'	4.6'	20'	18	6.1'	5.3'	11'	32	5.1'	3.5'	20'	3	19.0'	9.1'
65W MR16 FL 40° FPB	13120	8'	205	5.8'	5.8'	8'	133	8.1'	6.7'	5'	186	8.4'	5.1'	5'	66	24.2'	7.3'
		12'	91	8.7'	8.7'	12'	59	12.2'	10.1'	7'	95	11.7'	7.2'	7'	33	33.8'	10.2'
		16'	51	11.6'	11.6'	16'	33	16.2'	13.4'	9'	57	15.1'	9.3'	9'	20	43.5'	13.1'
		20'	33	14.6'	14.6'	20'	21	20.3'	16.8'	11'	38	18.5'	11.3'	11'	14	53.2'	16.0'
71W MR16* NSP 15° EYF	11500	3'	1278	0.8'	0.8'	3'	830	1.1'	0.9'	3'	452	1.6'	1.1'	3'	160	3.3'	1.6'
		5'	460	1.3'	1.3'	5'	299	1.8'	1.5'	5'	163	2.7'	1.9'	5'	58	5.6'	2.6'
		7'	235	1.8'	1.8'	7'	152	2.5'	2.1'	7'	83	3.8'	2.6'	7'	29	7.8'	3.7'
		9'	142	2.4'	2.4'	9'	92	3.2'	2.7'	9'	50	4.8'	3.4'	9'	18	10.0'	4.7'

\*Not Sold by W.A.C Lighting