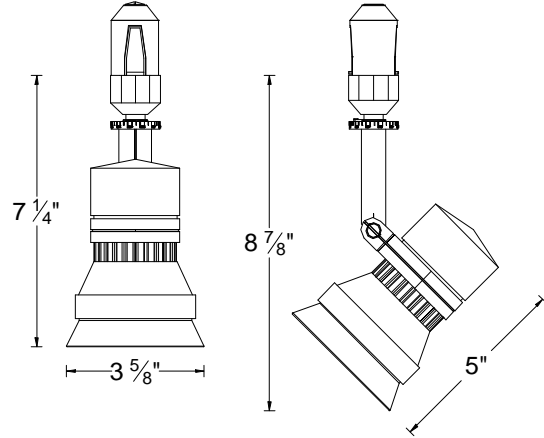


CATALOG NUMBER	TYPE
PROJECT	

FLEXRAIL2 – LINE VOLTAGE TRACK HEAD

SERIES HM-715






Ordering Matrix			
Series	Model	Finish	Accessories
<input type="text"/>	<input type="text"/>	<input type="text"/>	<input type="text"/>
HM	715	BZ PT	See table below

Ordering Example (series number – model number – finish + accessory): HM-715-PT + Lens-20-CRL

Product Details	
Description:	Flexrail2 compatible precision spot style line voltage track head utilizing PAR20 lamps. Lens cap comes with a threaded check ring that allows for the use of two captive lens accessories.
Materials:	Die-cast aluminum fixture, cap ring and check ring. Heavy gauge aiming screws painted to match fixture finish. Medium base porcelain socket with nickel-plated copper screw shell.
Aiming:	350° horizontal rotation and 90° vertical aiming with built-in degree scales on fixture. Two integral screws (one on each side of fixture) allow for locking fixture aiming angle.
Lamping:	Uses PAR20 lamp. 50W maximum.
Finish:	Abrasion resistant platinum or bronze paint finish. BZ = Designer Bronze metal finish PT = Platinum metal finish
Listing:	UL & CUL Listed. Patent Pending.
Accessories:	Accepts one or two accessories within the lens cap. Compatible accessories are ordered separately.

Specification Features
<ul style="list-style-type: none"> Die-cast aluminum fixture with integral aiming indicators to assure precise directional adjustment. Threaded easy turn check ring within lens cap allows for multiple captive accessories. PAR20 lamp beam spreads available in choices ranging from 10 to 40 degrees to allow for a wide variety of application specific lighting patterns. 5 year product warranty.

Compatible Accessories			
LENS-20-CRL Cross Louver 	LENS-20-HCL Honeycomb Louver 	LENS-20-COLOR Colored Lenses AMB = Amber BLU = Blue GRN = Green RED = Red YEL = Yellow 	LENS-20-DIC-COLOR Dichroic Lenses AMB = Amber BLU = Blue GRN = Green RED = Red YEL = Yellow 