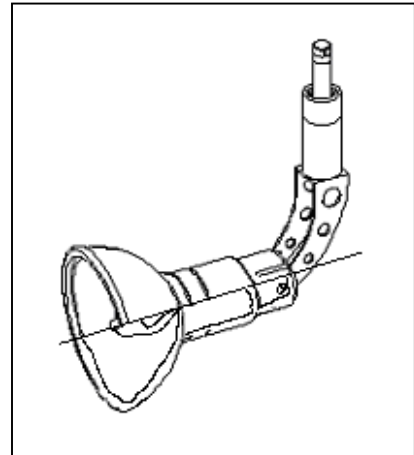
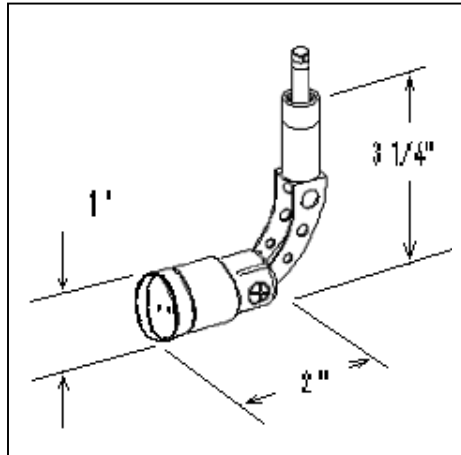
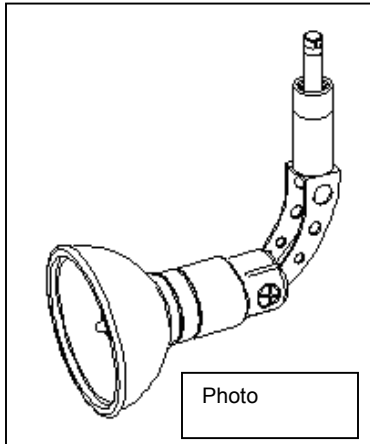


# SPECIFICATION SHEET

## LOW VOLT MONO RAIL FIXTURE

## MODEL QF-196



### Catalog Information

Model	Extension	Lamp Type	Volts	Max Watts	Finishes
QF-196X3-PT	3"	MR-16 (G)	12 or 24	50W	(PT) Platinum
QF-196X6-PT	6"	MR-16 (G)	12 or 24	50W	(PT) Platinum
QF-196X9-PT	9"	MR-16 (G)	12 or 24	50W	(PT) Platinum
QF-196X12-PT	12"	MR-16 (G)	12 or 24	50W	(PT) Platinum
QF-196X3-CH	3"	MR-16 (G)	12 or 24	50W	(CH) Chrome
QF-196X6-CH	6"	MR-16 (G)	12 or 24	50W	(CH) Chrome
QF-196X9-CH	9"	MR-16 (G)	12 or 24	50W	(CH) Chrome
QF-196X12-CH	12"	MR-16 (G)	12 or 24	50W	(CH) Chrome
QF-196X3-SG	3"	MR-16 (G)	12 or 24	50W	(SG) Satin Gold
QF-196X6-SG	6"	MR-16 (G)	12 or 24	50W	(SG) Satin Gold
QF-196X9-SG	9"	MR-16 (G)	12 or 24	50W	(SG) Satin Gold
QF-196X12-SG	12"	MR-16 (G)	12 or 24	50W	(SG) Satin Gold

### Product Features

- Application:** Low voltage Quick Connect Mono rail fixture, for WAC system, may be compatible with other manufacturer's quick connect systems, consult factory. This fixture may be mounted to monorail, monopoints, or standard track by coupling to a mating quick connect adapter.
- Lamp:** MR-16(G) (with covered glass lens) 50 W maximum. Suitable for use with 12 or 24-volt lamps.
- Aiming:** Pivots 90° from vertical, and rotates 360°.
- Lamping:** Re-lamps from the front.
- Socket:** Bi-pin ceramic.

### Material

Brass.

### Options

All accessory lenses, or the honeycomb louver may be used in conjunction with a lens clip (LENS-16-CLIP). When using an accessory lens, it is not necessary to use the covered glass lens style MR16 lamp.

### Listings

UL & CUL Listed.

W.A.C. reserves the right to change details that do not effect over all performance.

