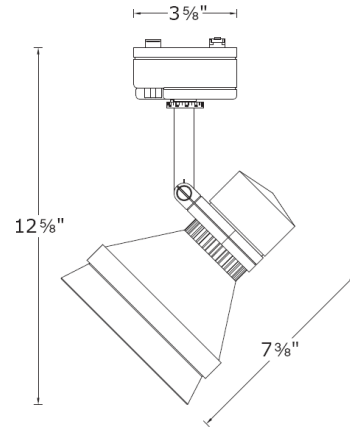
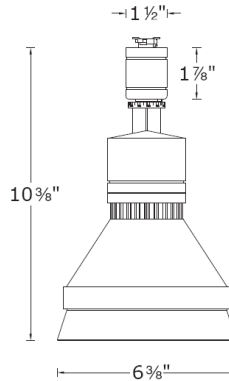


<b>CATALOG NUMBER</b>	<b>TYPE</b>
<b>PROJECT</b>	

**PRECISION SPOT – LINE VOLTAGE TRACK HEAD**

**SERIES 737**



**Ordering Matrix**

Model	Finish	Accessories
<input type="text"/>	<input type="text"/>	<input type="text"/>
JTK-737	BK WT BK/PT	See accessories table

Ordering Example (model – finish + accessories): JTK-737-WT + LENS-38-DIC-GRN

**Product Details**

- Description:** Line voltage track heads using PAR38 lamps. Designed for use with WAC and W2 J & J2 series track. In addition they may fit other manufacturer's original track (consult factory for specific brands).
- Materials:** Die-cast aluminum fixture, cap ring and check ring. Heavy gauge aiming screws painted to match fixture finish.
- Socket:** Medium base 250V porcelain socket with nickel-plated copper screw shell.
- Aiming:** 350° horizontal rotation and 90° vertical aiming with built-in degree scales on fixture. Two aiming screws (one on each side of fixture) allow for locking fixture aiming angle.
- Lamping:** Re-lamps from the front using medium base PAR38 lamps, 150W max.
- Finish:** Abrasion resistant paint finish. Available in Black (BK), White (WT), and Black on Platinum (BK/PT).
- Listing:** UL & CUL Listed. Patent Pending.

**Specification Features**

- Specification grade die-cast aluminum fixture with integral aiming indicators to assure precise directional adjustment.
- Threaded easy turn check ring within lens cap allows for multiple captive accessories.
- PAR38 lamp beams available in 9, 12, 25, 30 & 50 degrees to allow for a wide variety of application specific lighting patterns.
- The 737 series track head utilizes the second circuit on the J2 style track with the use of the JClip.
- Accommodates one lens and one accessory.
- 5 year product warranty.

## Track Adaptor Information

**Standard Adaptor**  
For J style  
W2 & W.A.C track



**J2 Adaptor**  
For J2 style  
W2 & W.A.C track



**JCLIP**  
Ordered when using track  
heads on 2<sup>nd</sup> circuit of J2



## Compatible Accessories

**LENS-38-DIC-COLOR**  
Dichroic Lenses

**LENS-38-COLOR**  
Color Lenses

AMB = Amber ; BLU = Blue ; GRN = Green  
RED = Red ; YEL = Yellow



**LENS-38-HCL**  
Honeycomb Louver



**LENS-38-CRL**  
Cross Louver



**HOOD-120-BK**  
Light Deflecting Hood  
for wall wash application



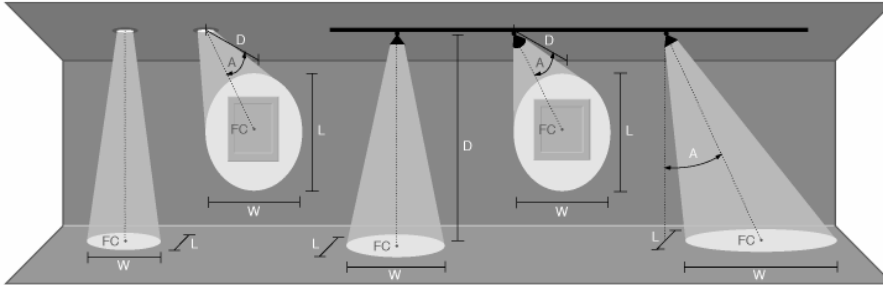
**LENS-38-UVF**  
UV Filter

**LENS-38-FR**  
Frosted Lens

**LENS-38-SPR**  
Spread Lens

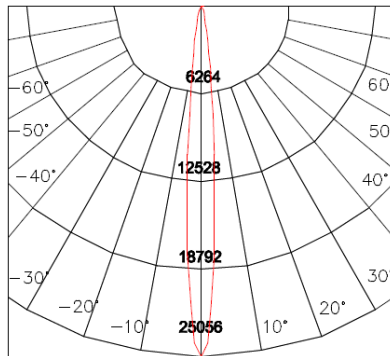
**LENS38-BEL**  
Beam Elongating Lens

## Photometry

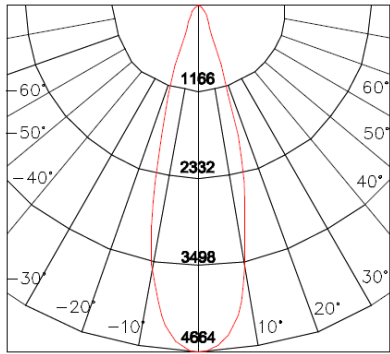


D Distance To Fixture From Wall Or Floor  
FC Initial Footcandle Level At Center Of Beam  
L Beam Length (where candlepower drops to 50% of maximum)  
W Beam Width (where candlepower drops to 50% of maximum)

120W PAR38 SP			
0° Aiming Angle			
D(ft)	FC	W	L
6	696	0.9	0.9
9	309	1.4	1.4
12	174	1.9	1.9
15	111	2.4	2.4
45° Aiming Angle			
D(ft)	FC	W	L
6	246	1.9	1.3
9	109	2.9	2.0
12	62	3.8	2.7
15	39	4.8	3.3



120W PAR38 FL			
0° Aiming Angle			
D(ft)	FC	W	L
6	130	3.2	3.2
9	58	4.8	4.8
12	32	6.4	6.4
15	21	8.0	8.0
45° Aiming Angle			
D(ft)	FC	W	L
6	46	6.9	4.5
9	20	10.4	6.8
12	11	13.9	9.1
15	7	17.3	11.4



120W PAR38 WFL			
0° Aiming Angle			
D(ft)	FC	W	L
6	80	6.2	6.2
9	35	9.4	9.4
12	20	12.5	12.5
15	13	15.6	15.6
45° Aiming Angle			
D(ft)	FC	W	L
6	28	17.1	8.8
9	13	25.7	13.3
12	7	34.3	17.7
15	5	42.8	22.1

