

Installation Instructions

For Portable Lamp
Model# P492-1

WARNING

- Risk of shock, do not plug in the unit before assembling.
- Do not exceed the maximum wattage rating (Max. 100W).
- Before you begin assembly of your new fixture, please follow the instruction manual step by step.

INSTALLATION

1. Place all parts on a smooth, flat surface to protect the finish until ready to install.
2. Secure tube (A) into base (B).
3. Align shade (C) onto the socket and secure with socket ring (D). Install the light bulb in accordance with specifications.

(DO NOT EXCEED THE MAXIMUM WATTAGE RATING!) (NE PAS DEPASSER LA PUISSANCE NOMINALE MAXIMALE!)

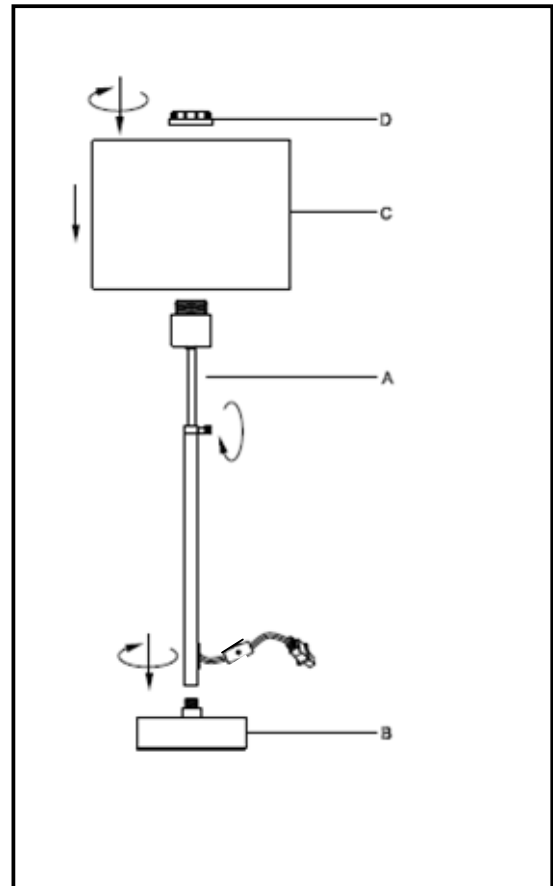
SAVE THESE INSTRUCTIONS

IMPORTANT SAFETY INSTRUCTIONS

1. This portable lamp has a polarized plug (one blade is wider than the other) as a safety feature to reduce the risk of electric shock. This plug will fit in a polarized outlet only one way. If the plug does not fit fully in the outlet, reverse the plug. If it still does not fit, contact a qualified electrician. Never use with an extension cord unless plug can be fully inserted. Do not alter the plug.
2. The lamp uses an in line on off switch. Please use medium base, A19 Max. 100W bulb.(Included 1PC 13W CFL BULB)

(Date: August 04, 2014)

MADE IN CHINA



**IN AN ONGOING EFFORT TO BE ENVIROMENTALLY FRIENDLY AND IN COMPLIANCE WITH CALIFORNIA TITLE 20. AN ENERGY SAVING COMPACT FLUORESCENT BULB(S) IS INCLUDED.
PLEASE NOTE THAT THE LIFE EXPECTANCY OF THE BULB(S) IS NOT GUARANTEED.**