

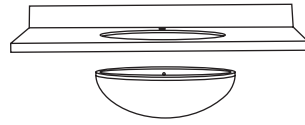
## MODEL:DEC077A

NO.	ASSEMBLY NAME	QUANTITY	NO.	ASSEMBLY NAME	QUANTITY
(1)	CUSHION	4	(6)	COUNTERTOP	1
(2)	SCREW	8	(7)	POP-UP WASTE	1
(3)	CABINET	1	(8)	FAUCET	1
(4)	HANDLE	4			
(5)	BASIN	1			

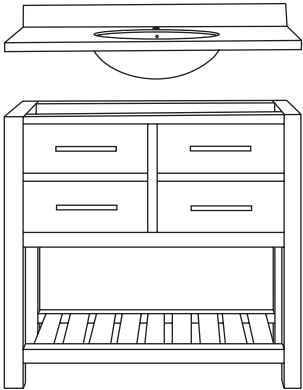
1



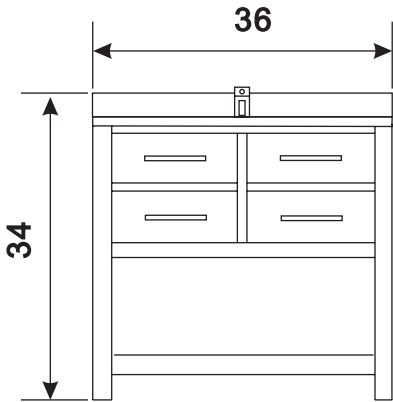
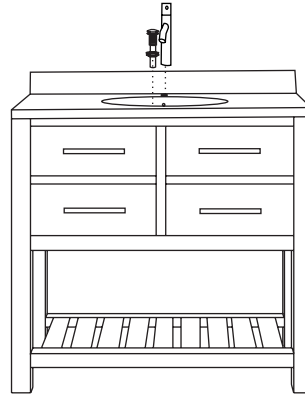
2



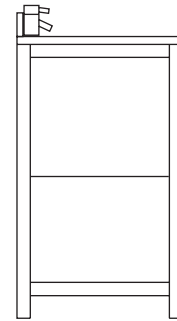
3



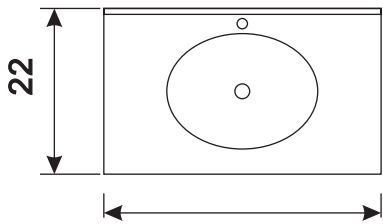
4



FRONT VIEW



SIDE VIEW



TOP VIEW

