

Emma 50

Model Ref. 27095

Material: Porcelain

Color: White

Overall Dimensions: 19.7" L x 9.8" W x 5.8" H

Interior Dimensions: 11.5" L x 8.2" W x 4" H

Foot print: 18.2" L x 8.4" W

Waste outlet: Ø1-3/4" I.D.

Installation: Wall-mount and/or counter-top

Features: Overflow and one pre-drilled, right-side faucet hole

Components included: Wall mounting fixing bolts

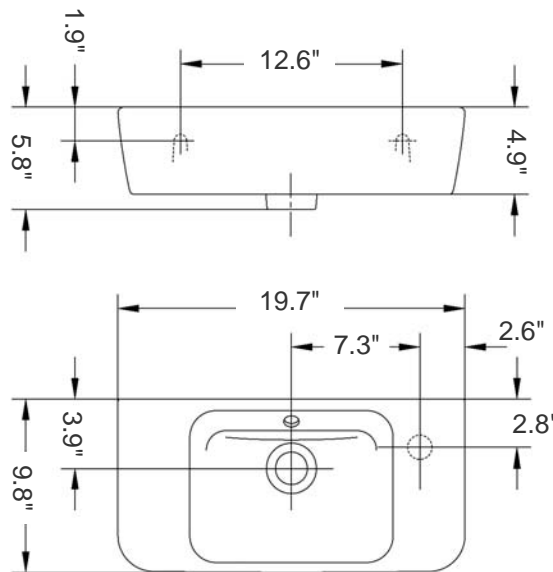
Optional (sold separately):

Wall-mount two-door Vanity cabinet unit

Model Ref. 3817077 (Aqua), or Ref. 3817076 (Anthracite)

Dimensions: 19.7" L x 9.8" W x 18.1" H

Color/Finish: Aqua (*white sides- white/pearl wave-pattern drawer front*), or Anthracite (*grayish brown*)



All dimensions are nominal

BISSONNET

Tel. (610) 454-1295 · Fax (610) 454-9385 · info@bissonnet.net · www.bissonnet.net

Emma

Wall-mount 2-door Vanity cabinet unit with wooden top and fixed shelf

Model Ref. 3817077 (Aqua), or Ref. 3817076 (Anthracite)

Material: Hard wood

Dimensions: 19.7" L x 13.8" W x 18.1" H

Color/Finish: Aqua (*white sides- white/pearl wave-pattern drawer front*),
or Anthracite (*grayish brown*)

Optional (sold separately):

Chrome plated Vanity Legs

Model Ref. 3819900

Material: ABS

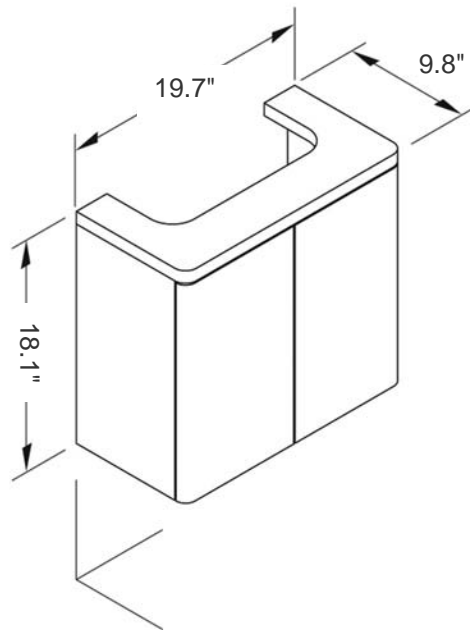
Dimensions: 1.6" L x 1.6" W x 10.6" H

Emma 50 counter-top porcelain Sink

Model Ref. 27095

Color: White

Dimensions: 19.7" L x 9.8" W x 4.9" H (height visible above countertop)



All dimensions are nominal

BISSONNET

Tel. (610) 454-1295 · Fax (610) 454-9385 · info@bissonnet.net · www.bissonnet.net