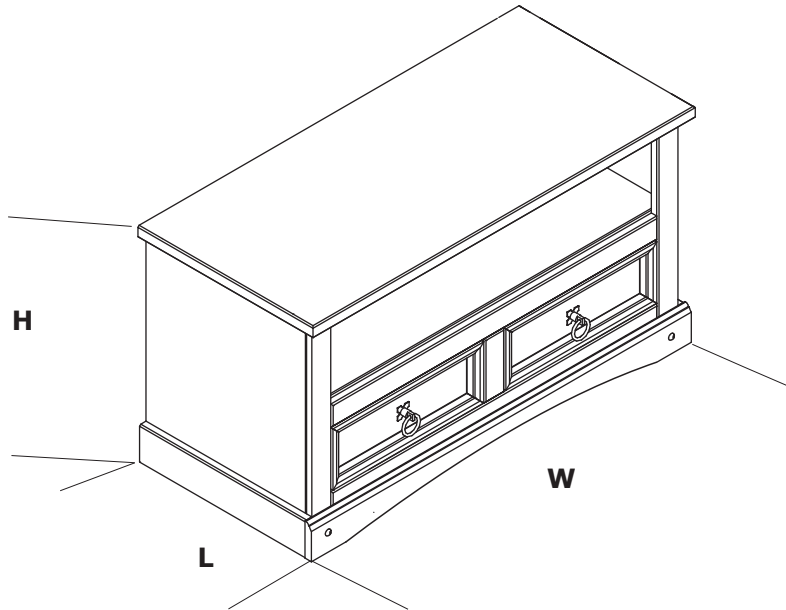


# Assembly Instructions : Corona Plasma TV Unit - January, 2015



Assembled Dimensions

**L** Length : 43cm

**W** Width : 91cm

**H** Head Height : 44cm

**PLEASE NOTE : CHECK ALL PARTS BEFORE ASSEMBLING**  
**ONCE ASSEMBLED THIS ITEM CANNOT BE RETURNED UNDER THE APPROVAL GUARANTEE**  
**THIS PRODUCT IS BUILT VERTICALLY - PLEASE BUILD WHERE IT WILL BE USED.**

### Follow Me

- FIRST: Check that the assembled product size will fit in its required location. Take into account ceiling height clearance & door frame widths, if the unit is not being assembled close to its final location
- SECOND : Check that you have enough floor area to complete the assembly
- THIRD: Retain your packaging until you have checked that ALL the parts are in the packs.
- FOURTH :Sort out the parts and fittings as shown, assemble product step by step
- It is preferable to rest the product on a soft surface to avoid damage during assembly
- Do not over tighten screws and fittings.
- Re-Tighten all screws and fitting periodically.

### Guide Me

Multi-Pack Table  
 COMPONENT Pack NO

#### BOX: 1 / 1

##### - FITKIT

##### - AI

- LEFT SIDE PANEL = 1x
- RIGHT SIDE PANEL = 1x
- BACK LANE = 1x
- TOP PANEL = 1x
- FRONTAL CENTER LANE = 1x
- FRONTAL BASEBOARD = 1x
- SIDE BASEBOARD = 2x

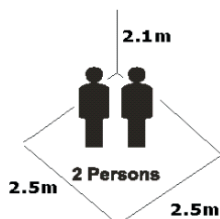
- SLIDE SIDE = 2x
- SLIDE CENTER = 1x
- SHELF = 1x
- SUPORT SLIDE CENTER = 1x
- FRONT DRAWER = 2x
- SIDE DRAWER = 4x
- BACK DRAWER = 2x
- BOTTOM DRAWER = 2x

- CENTER VERTICAL LANE = 1x
- CENTER LANE = 2x
- FRONTAL DOWN LANE = 1x
- LEFT LIZENE = 1x
- RIGHT LIZENE = 1x

Replacement packs cannot be provided without Component pack number and the part number / description

### Show Me

No of People  
 to Assemble



Approx Assembly  
 Time



Preparation  
**Floor Space 2.5 x 2.5m**  
**Height 2.1m**

### TOOLS REQUIRED

Tape Measure



Pozi No 2



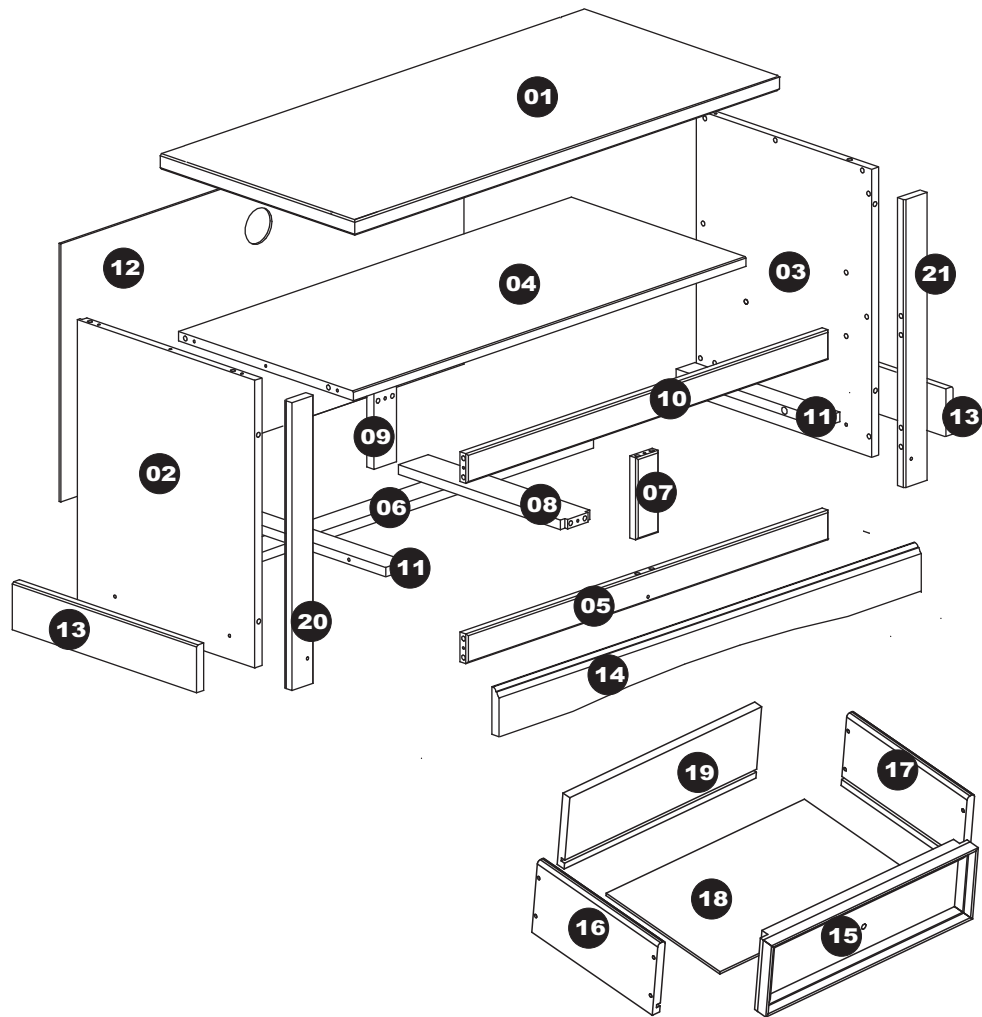
Recycling- the packaging materials for this product may be recycled through your local recycling centre. When you want to dispose of the product it self, please consider donating it to a local charitable organization, otherwise recycle it through your local recycling centre.

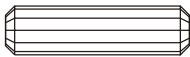
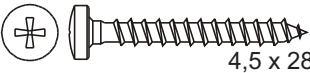
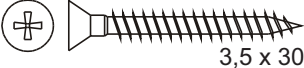






**IMPORTANT: READ CAREFULLY AND RETAIN FOR FUTURE REFERENCE**

Please refer to the "Hometime" care leaflet enclosed for information regarding the maintenance and use of your product.  
 For Domestic Use Only

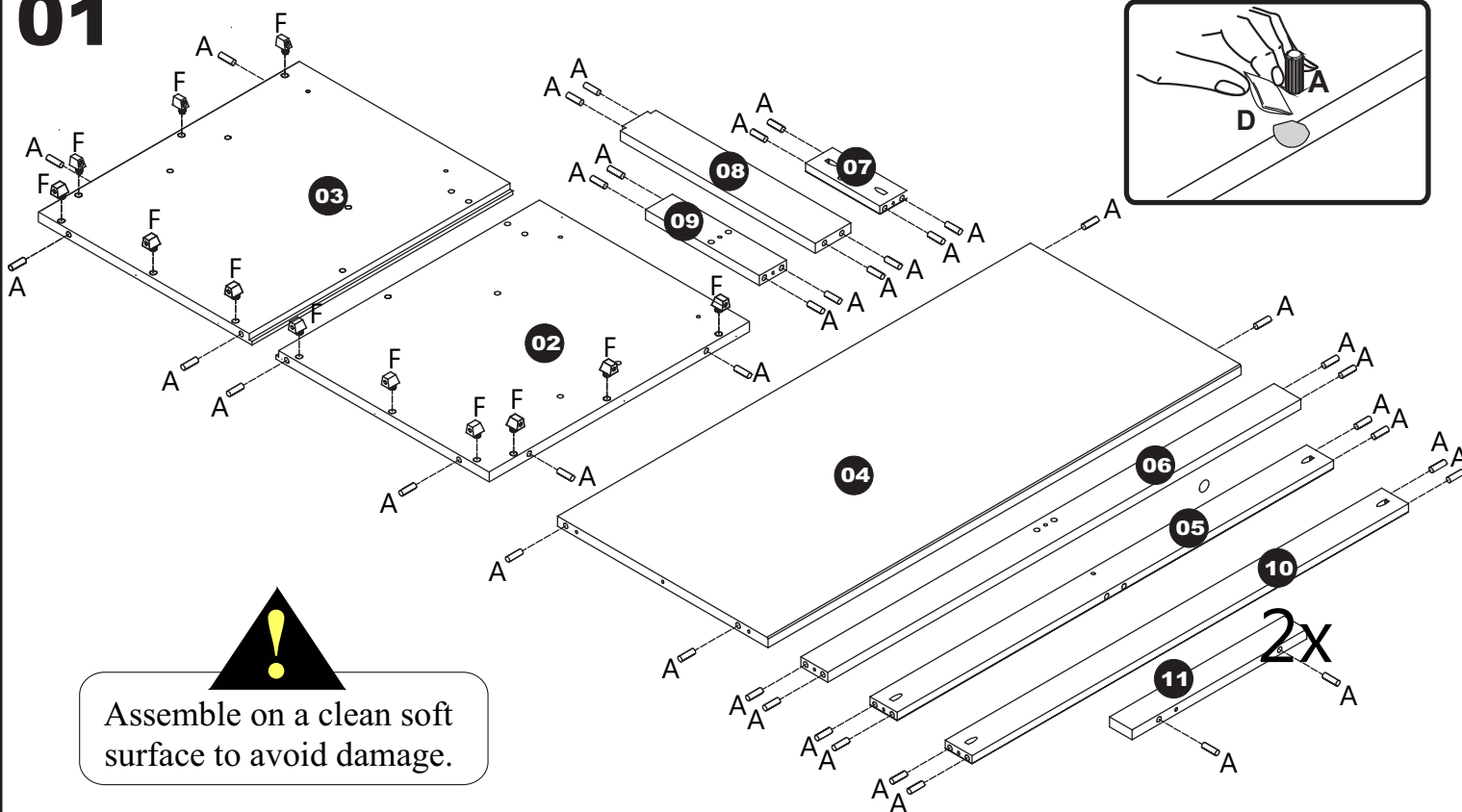
Please register this product at [www.suntime-spares.co.uk](http://www.suntime-spares.co.uk) to access the future spare parts requirement.

Imported by Transcontinental Group Ltd, Oliver's Place, Eastway, Fulwood, Preston, Lancs. PR2 9WS

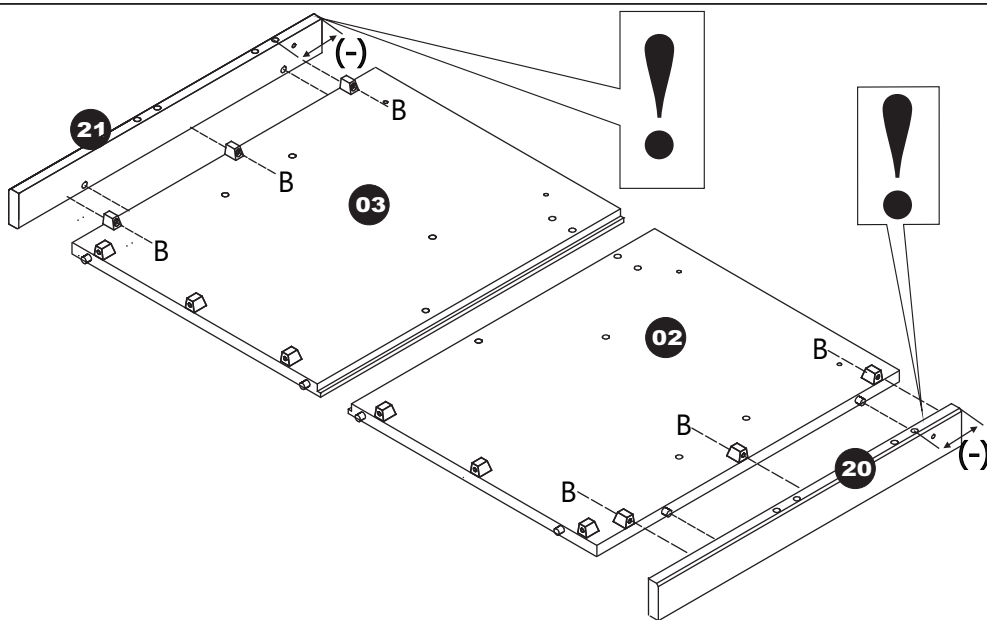


<b>A</b>	 8,0 x 25	40
<b>B</b>	 4,5 x 28	37
<b>C</b>	 3,5 x 30	16
<b>D</b>	 10g	01
<b>E</b>		02
<b>F</b>		12
<b>G</b>	 3,5 x 25	06
<b>H</b>		02
<b>Z</b>	 8 X 8	16

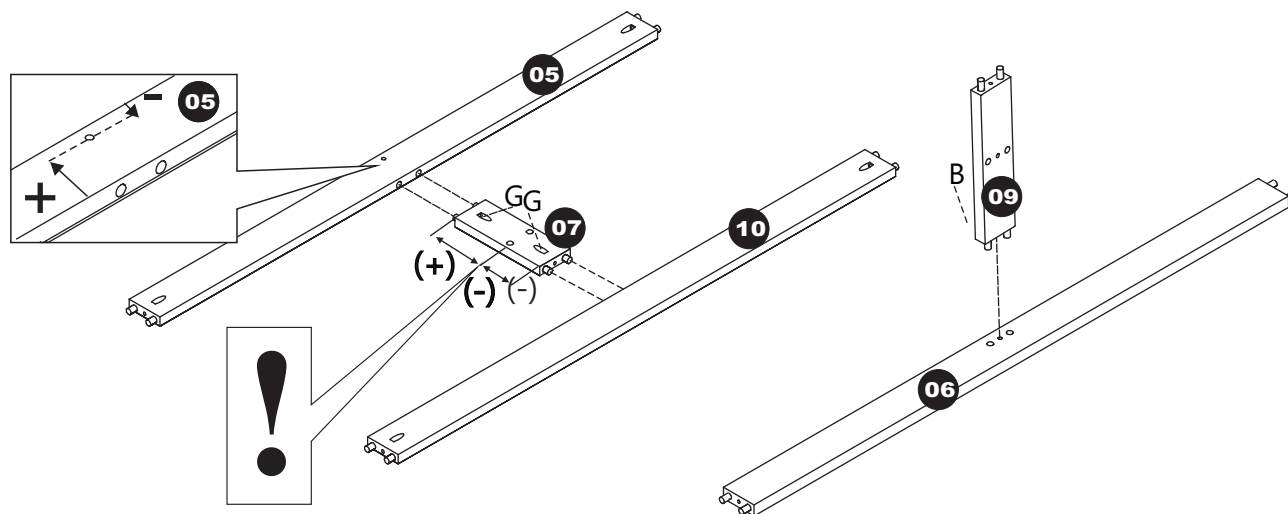
# 01



# 02

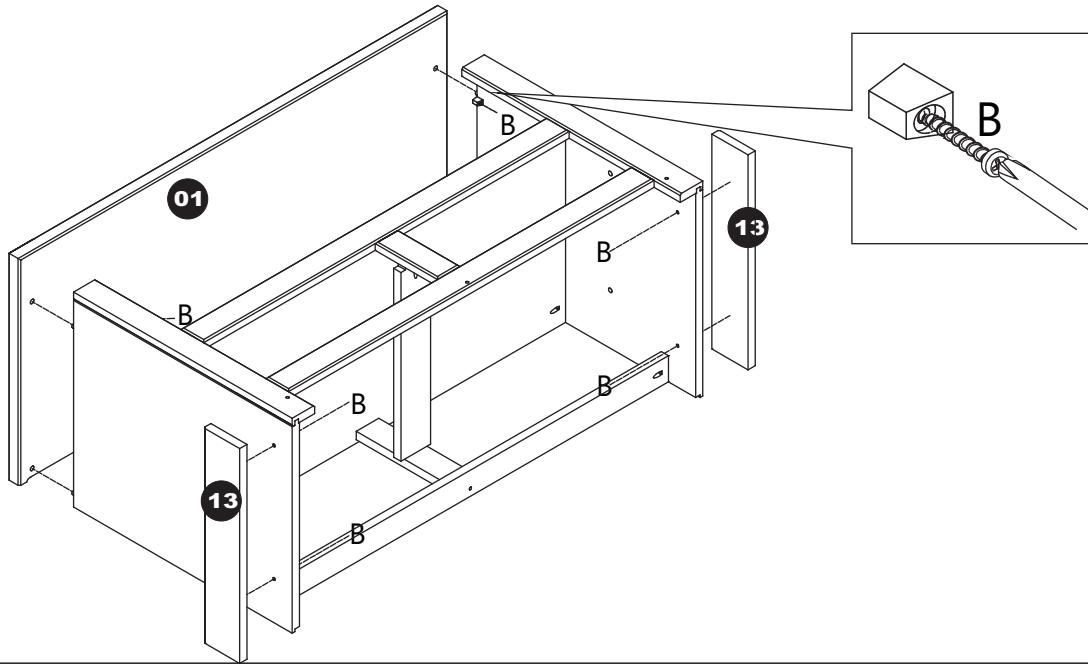


# 03

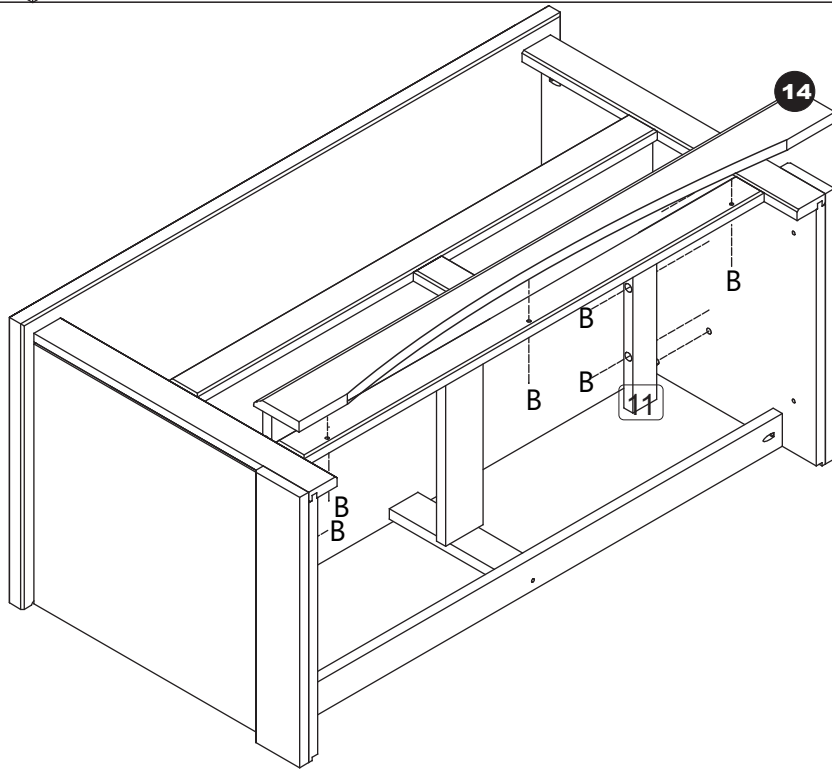




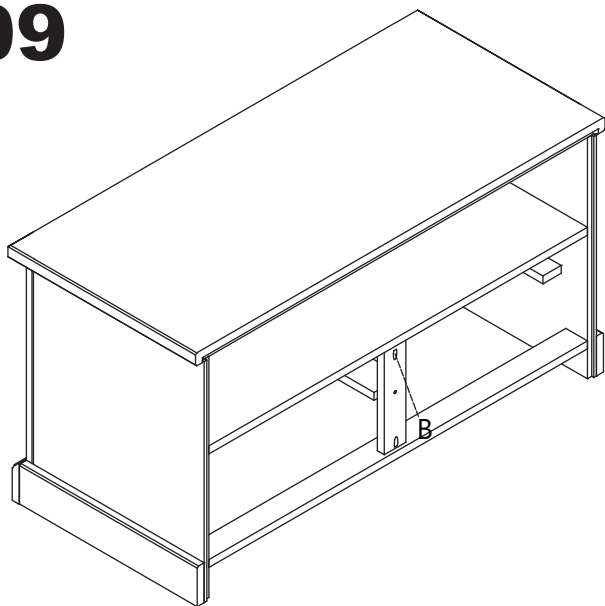
# 07



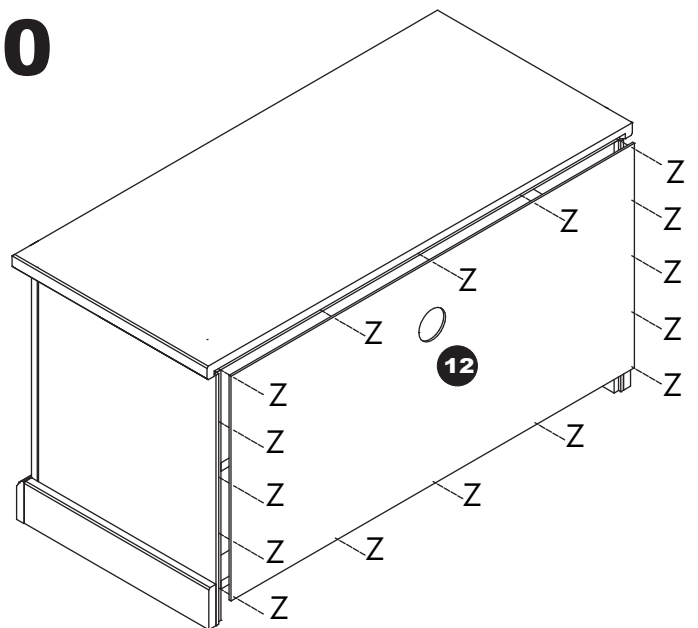
# 08



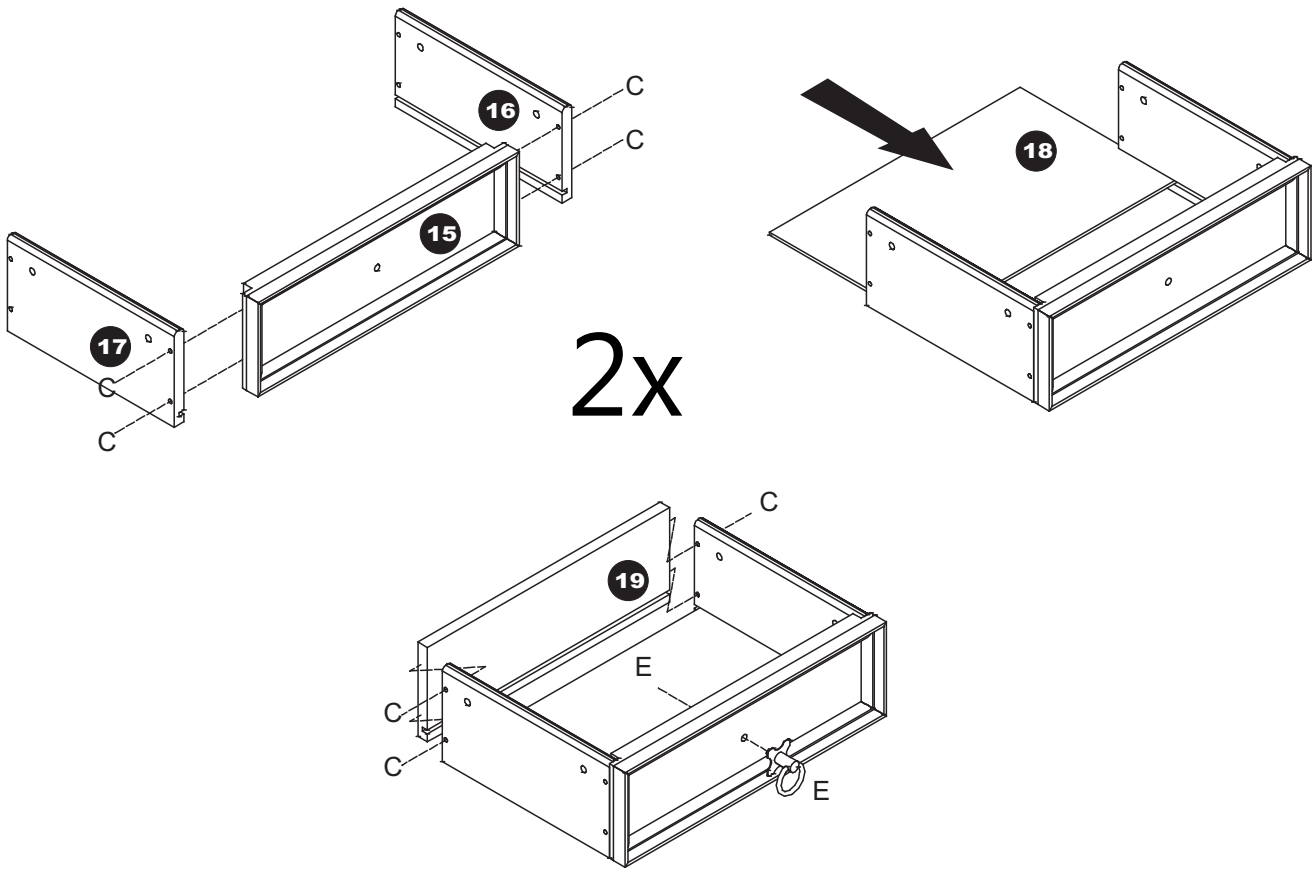
# 09



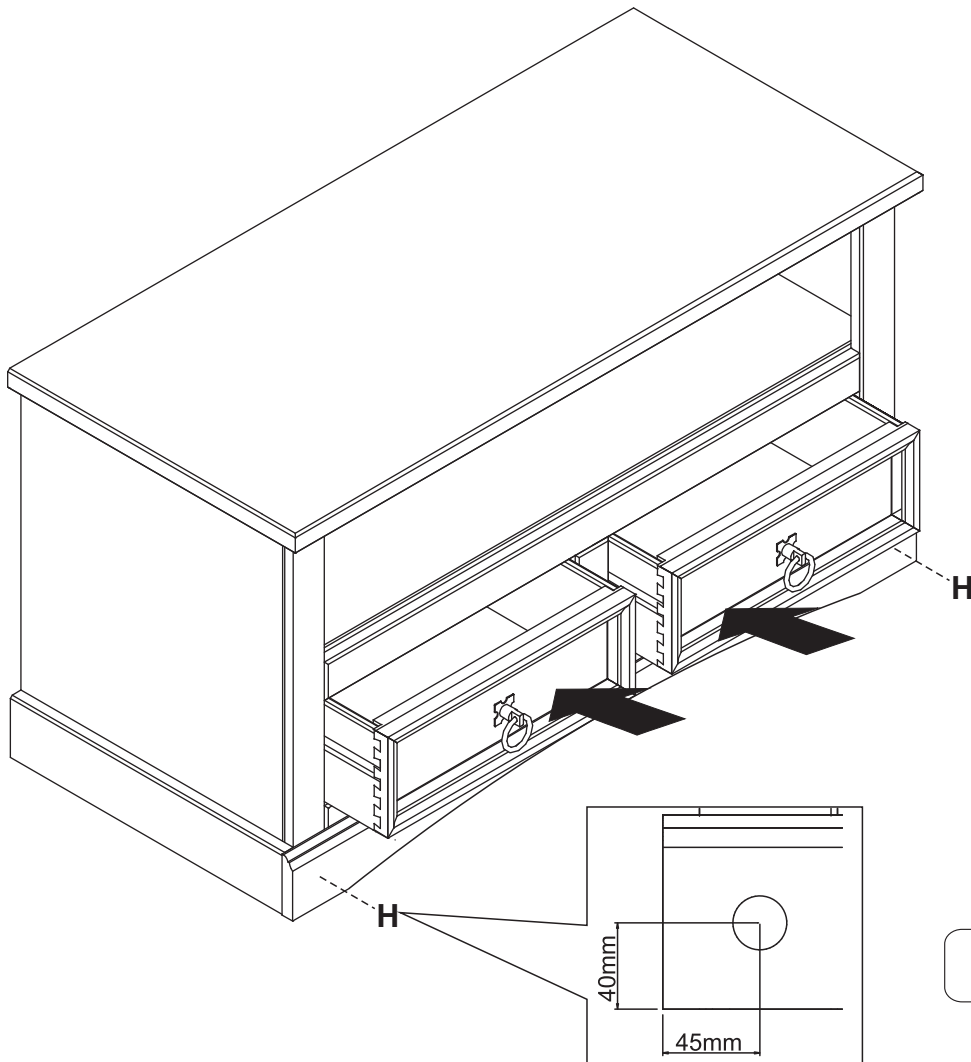
# 10



# 11



# 12



  
**OPTIONAL**

