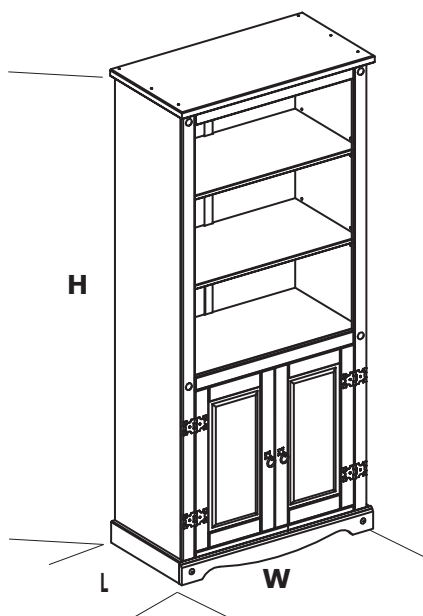


# Assembly Instructions : Corona Bookcase 2 doors - January, 2015



Assembled Dimensions

**L** Length : 42,5cm

**W** Width : 80cm

**H** Head Height : 177cm

PLEASE NOTE : CHECK ALL PARTS BEFORE ASSEMBLING  
ONCE ASSEMBLED THIS ITEM CANNOT BE RETURNED UNDER THE APPROVAL GUARANTEE  
THIS PRODUCT IS BUILT VERTICALLY - PLEASE BUILD WHERE IT WILL BE USED.

## Follow Me

- FIRST: Check that the assembled product size will fit in its required location. Take into account ceiling height clearance & door frame widths, if the unit is not being assembled close to its final location
- SECOND : Check that you have enough floor area to complete the assembly
- THIRD: Retain your packaging until you have checked that ALL the parts are in the packs.
- FOURTH :Sort out the parts and fittings as shown, assemble product step by step
- It is preferable to rest the product on a soft surface to avoid damage during assembly
- Do not over tighten screws and fittings.
- Re-Tighten all screws and fitting periodically.

## Guide Me

Multi-Pack Table  
COMPONENT Pack NO

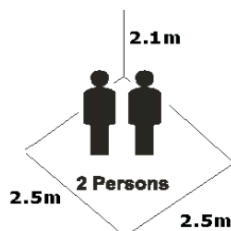
### BOX: 1 / 1

- |                                |                                 |
|--------------------------------|---------------------------------|
| - FITKIT                       | - LEFT DOOR = 1x                |
| - AI                           | - RIGHT DOOR = 1x               |
| - LEFT SIDE PANEL = 1x         | - SHELF = 3x                    |
| - BOTTOM = 2x                  | - BACK PANEL = 2x               |
| - TOP PANEL = 1x               | - LEFT LISENE = 1x              |
| - FRONTAL UPPER CROSSRAIL = 1x | - RIGHT LISENE = 1x             |
| - RIGHT SIDE PANEL = 1x        | - PROFILE "H" = 1x              |
| - FRONTAL BASEBOARD = 1x       | - FRONTAL CENTER CROSSRAIL = 1x |
| - SIDE BASEBOARD = 2x          | - FRONTAL DOWN CROSSRAIL = 1x   |

Replacement packs cannot be provided without Component pack number and the part number / description

## Show Me

No of People  
to Assemble



Approx Assembly  
Time



Preparation  
**Floor Space 2.5 x 2.5m**  
**Height 2.1m**

## TOOLS REQUIRED

Tape Measure



Pozi No 2



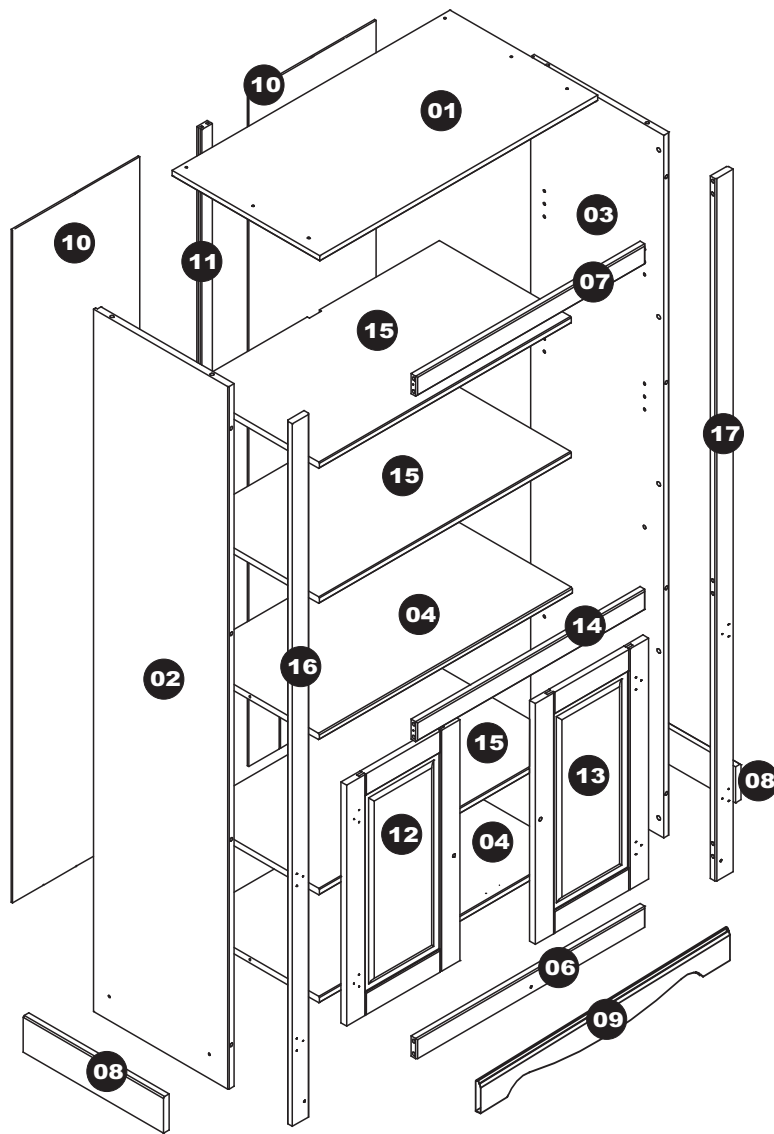
Recycling- the packaging materials for this product may be recycled through your local recycling centre. When you want to dispose of the product it self, please consider donating it to a local charitable organization, otherwise recycle it through your local recycling centre.

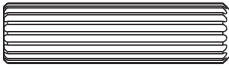





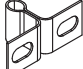
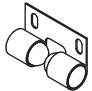
IMPORTANT: READ CAREFULLY AND RETAIN FOR FUTURE REFERENCE









Please refer to the "Hometime" care leaflet enclosed for information regarding the maintenance and use of your product.  
For Domestic Use Only

Please register this product at [www.suntime-spares.co.uk](http://www.suntime-spares.co.uk) to access the future spare parts requirement.

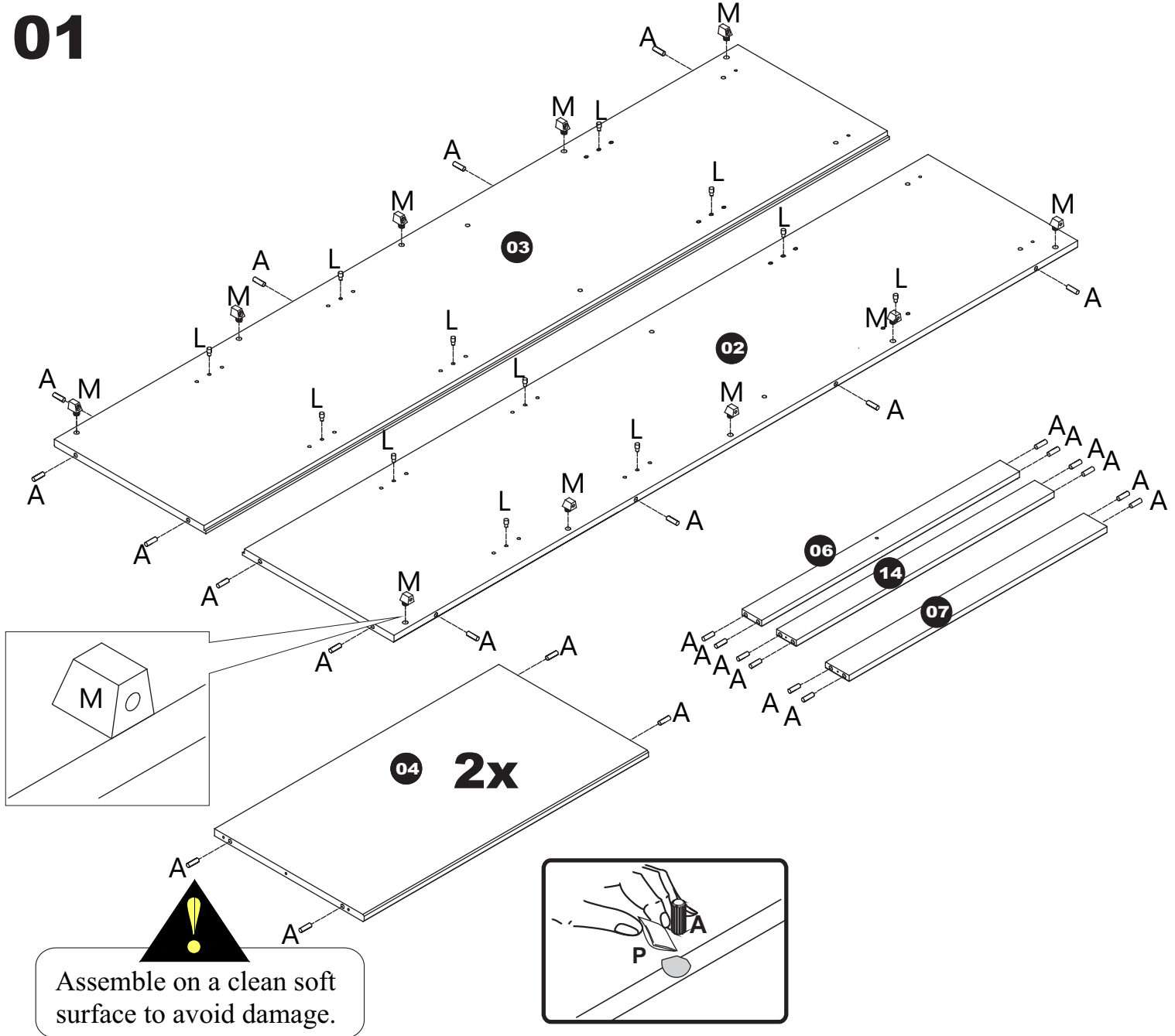
Imported by Transcontinental Group Ltd, Oliver's Place, Eastway, Fulwood, Preston, Lancs. PR2 9WS




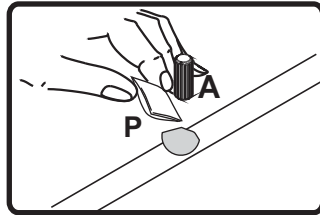
|          |   |           |
|----------|---|-----------|
| <b>A</b> | <br>8,0x25     | <b>32</b> |
| <b>B</b> | <br>4,5X50     | <b>06</b> |
| <b>C</b> | <br>4,5X28     | <b>29</b> |
| <b>D</b> | <br>3,5X14 prt | <b>24</b> |
| <b>E</b> |                | <b>06</b> |
| <b>F</b> |                | <b>02</b> |
| <b>G</b> |  prt           | <b>02</b> |
| <b>H</b> |  prt           | <b>02</b> |

|          |   |           |
|----------|---|-----------|
| <b>I</b> |  prt           | <b>04</b> |
| <b>J</b> | <br>8 X 8      | <b>22</b> |
| <b>K</b> | <br>3,0X16 prt | <b>08</b> |
| <b>L</b> | <br>6mm        | <b>12</b> |
| <b>M</b> |                | <b>10</b> |
| <b>O</b> | <br>3,5X25     | <b>07</b> |
| <b>P</b> |  10g           | <b>01</b> |
| <b>Q</b> |                | <b>01</b> |

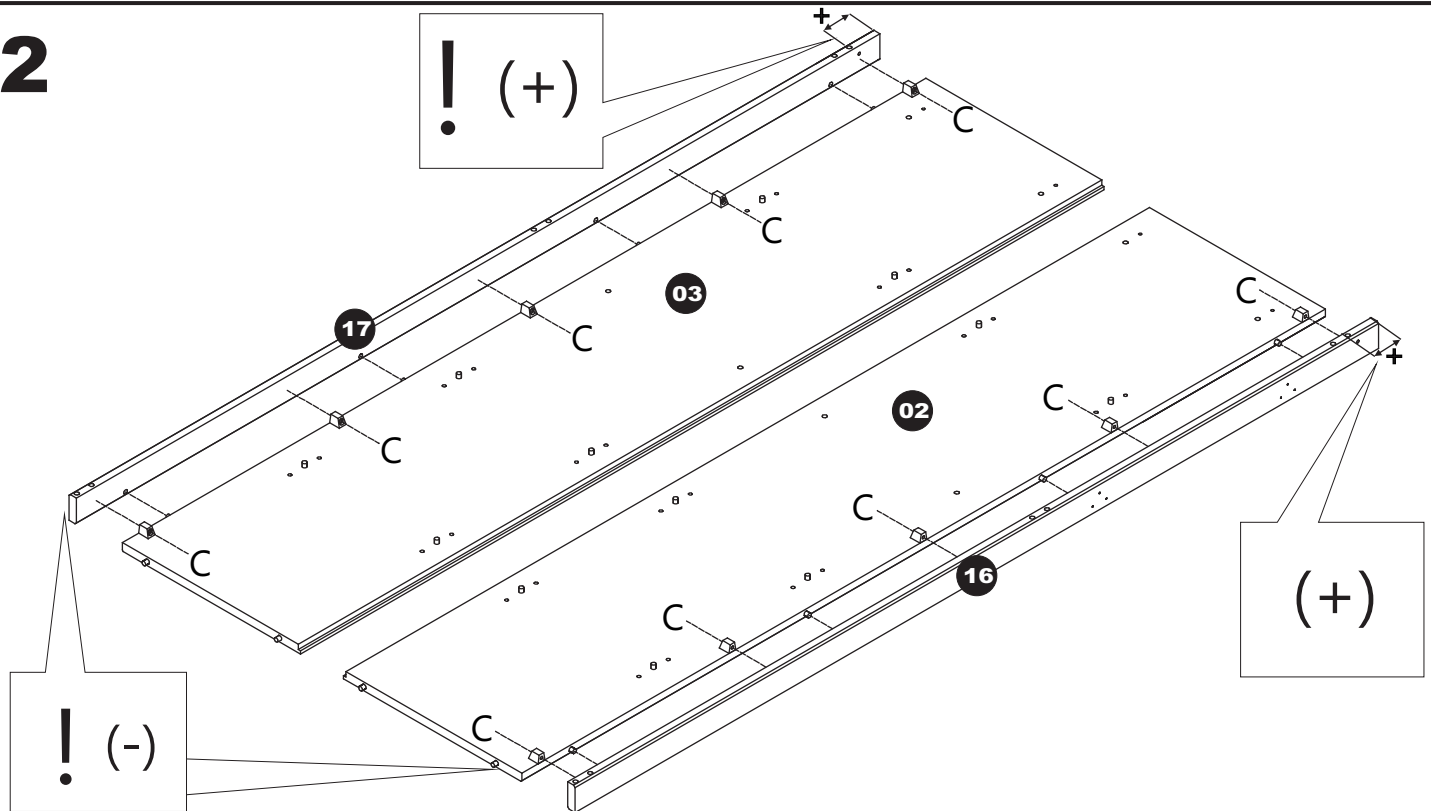
# 01

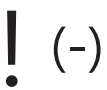


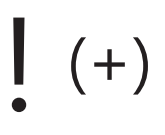
  
Assemble on a clean soft surface to avoid damage.

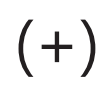


# 02

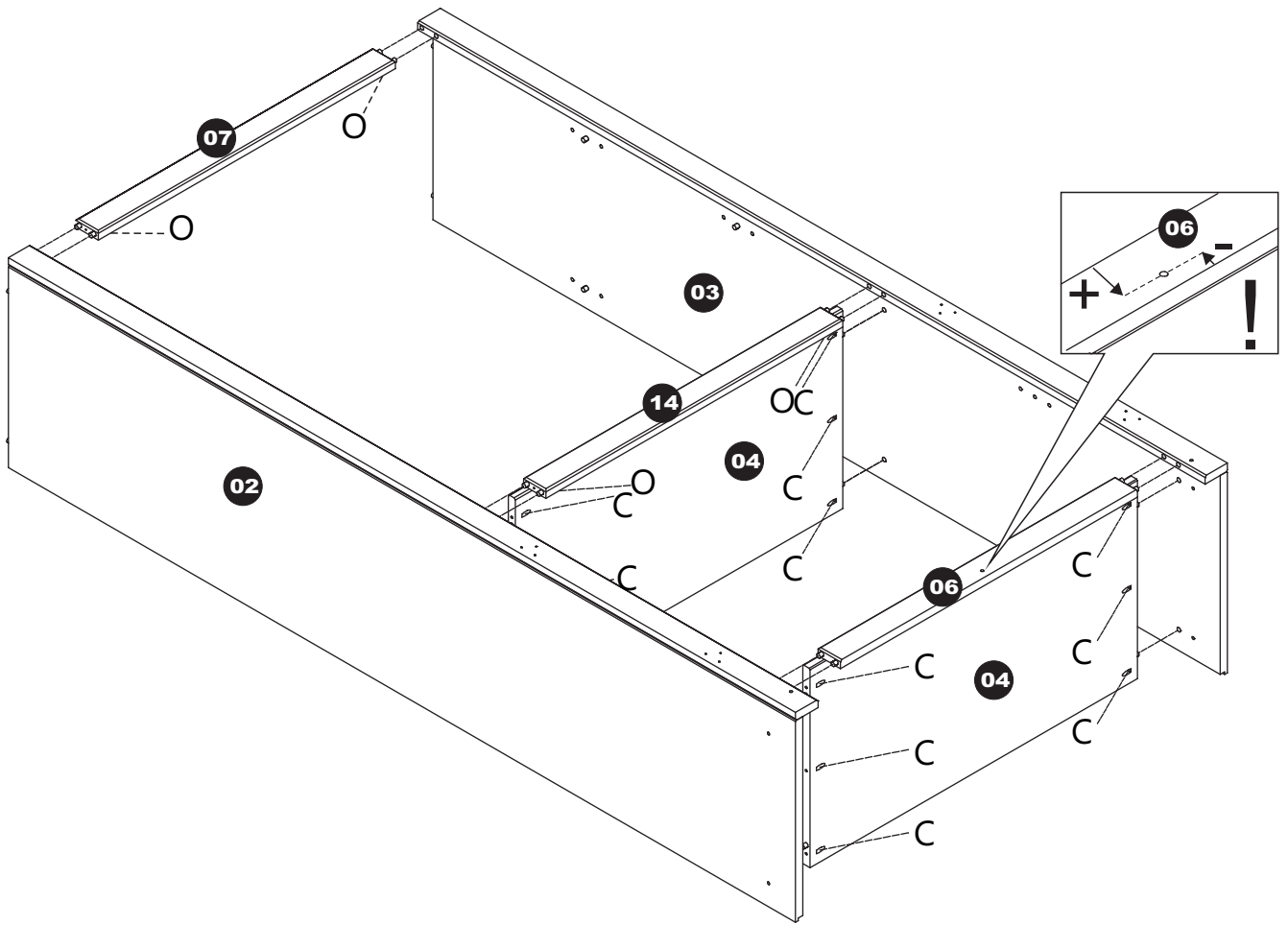


  
! (-)

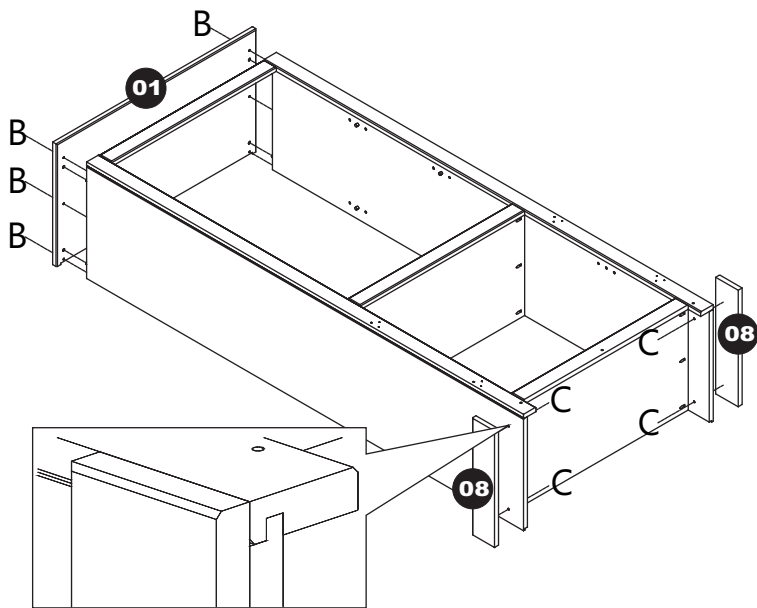
  
! (+)

  
(+)

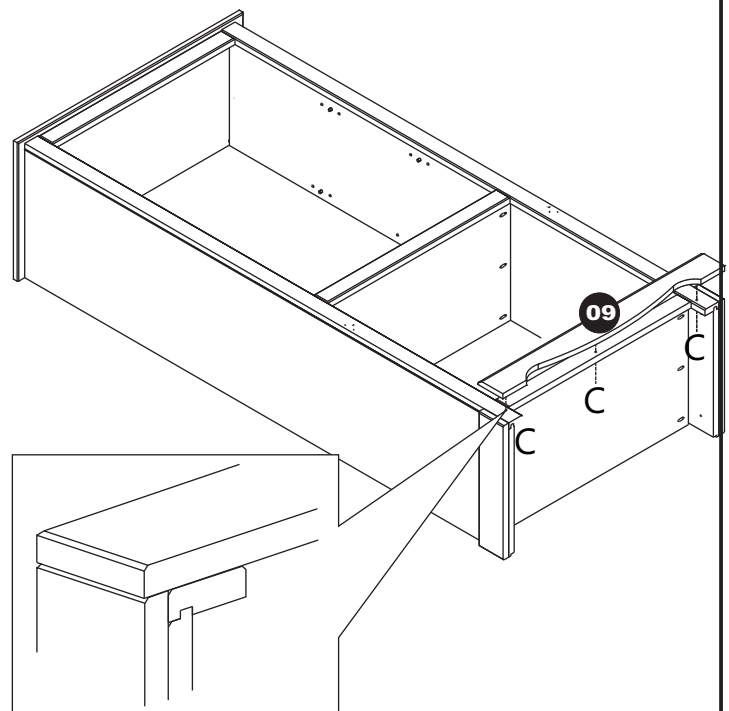
# 03



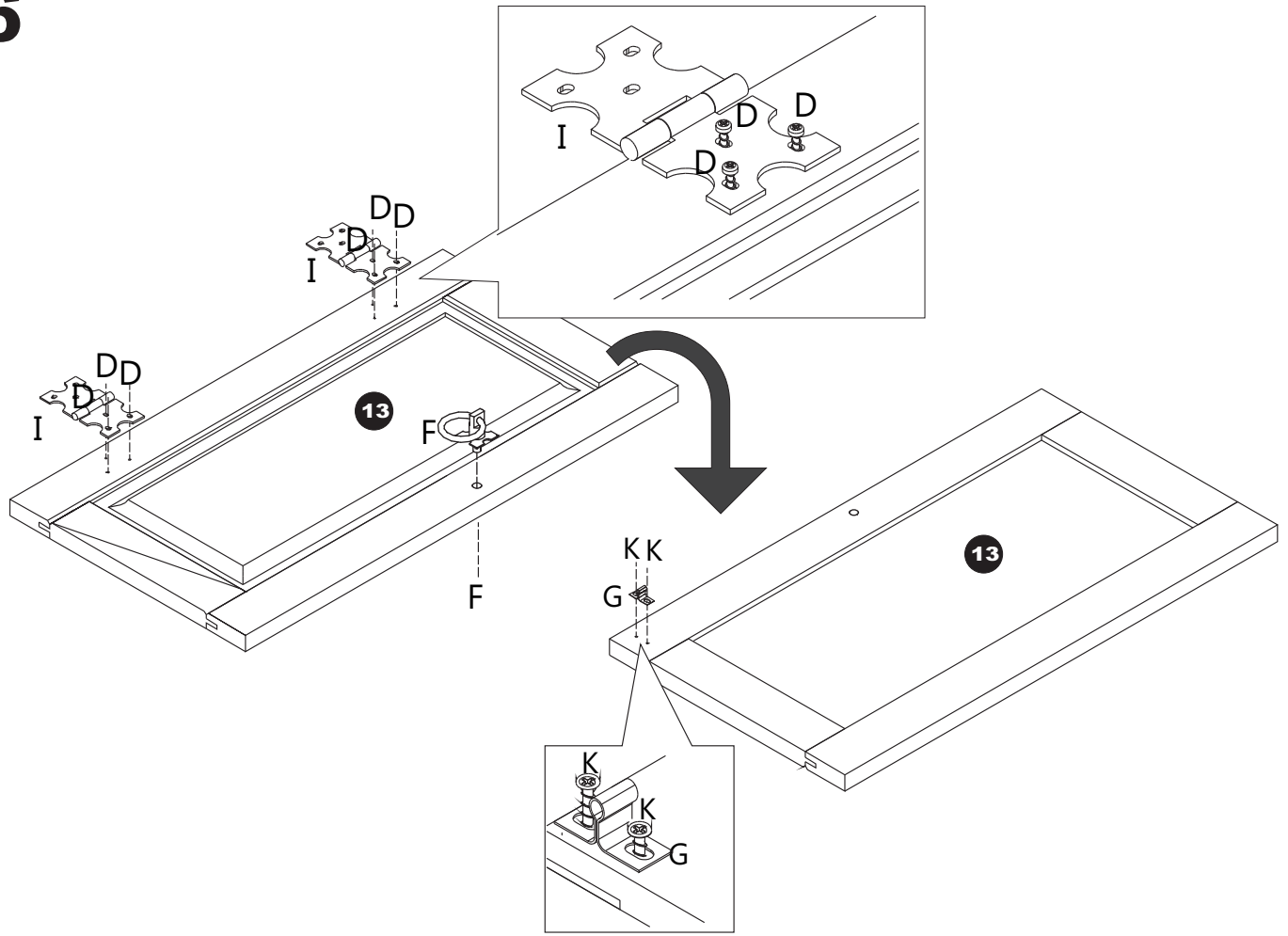
# 04



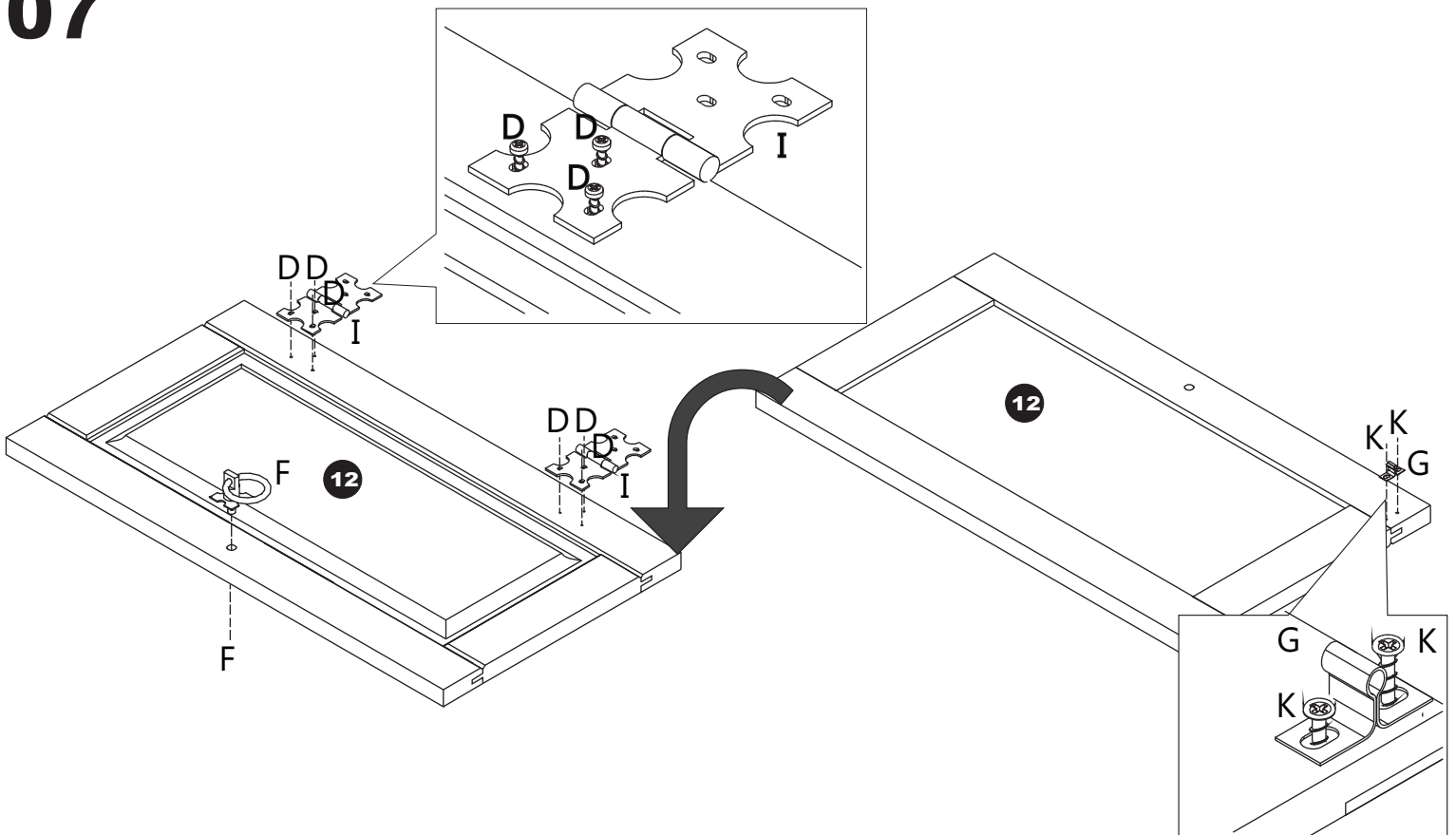
# 05



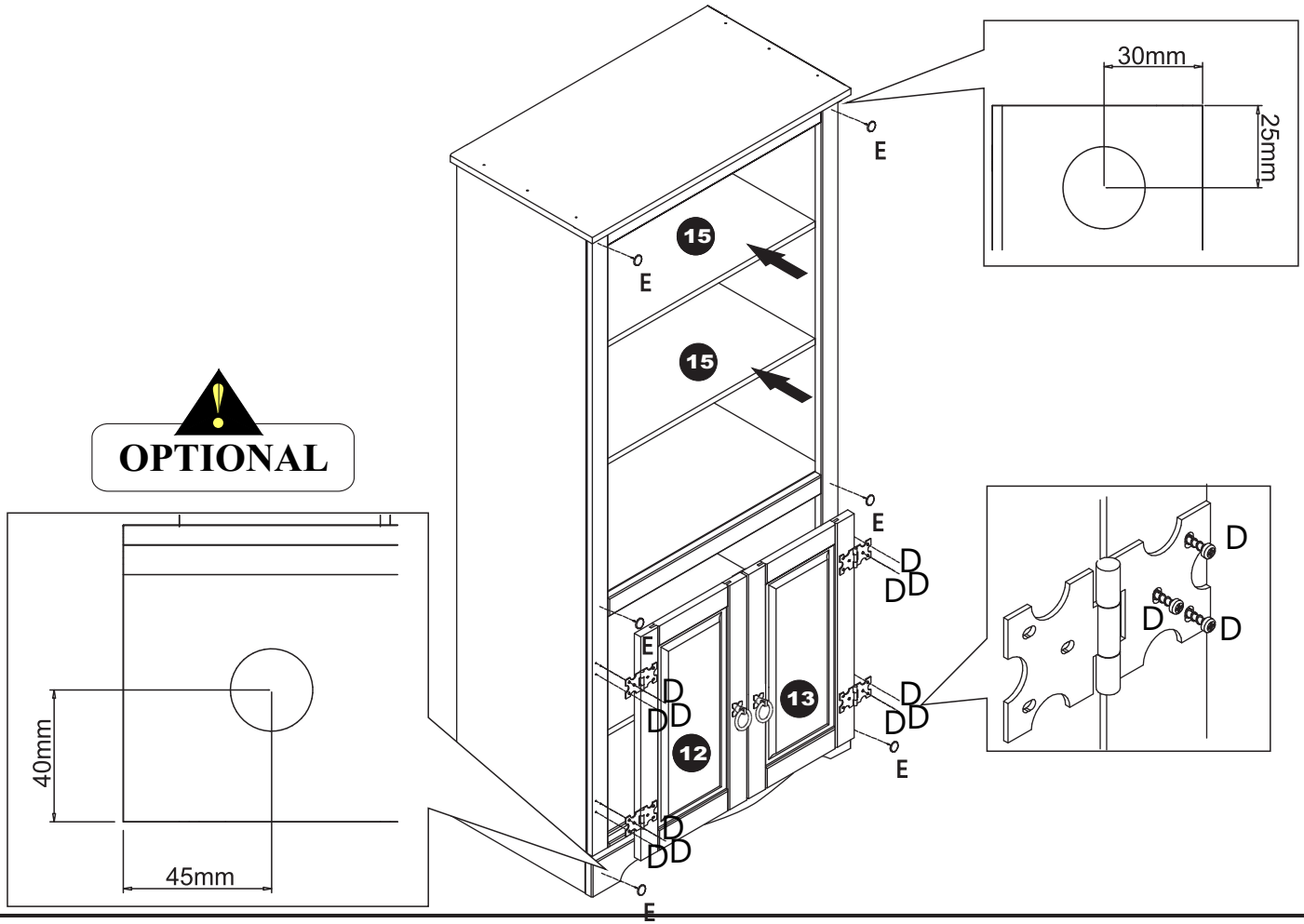
**06**



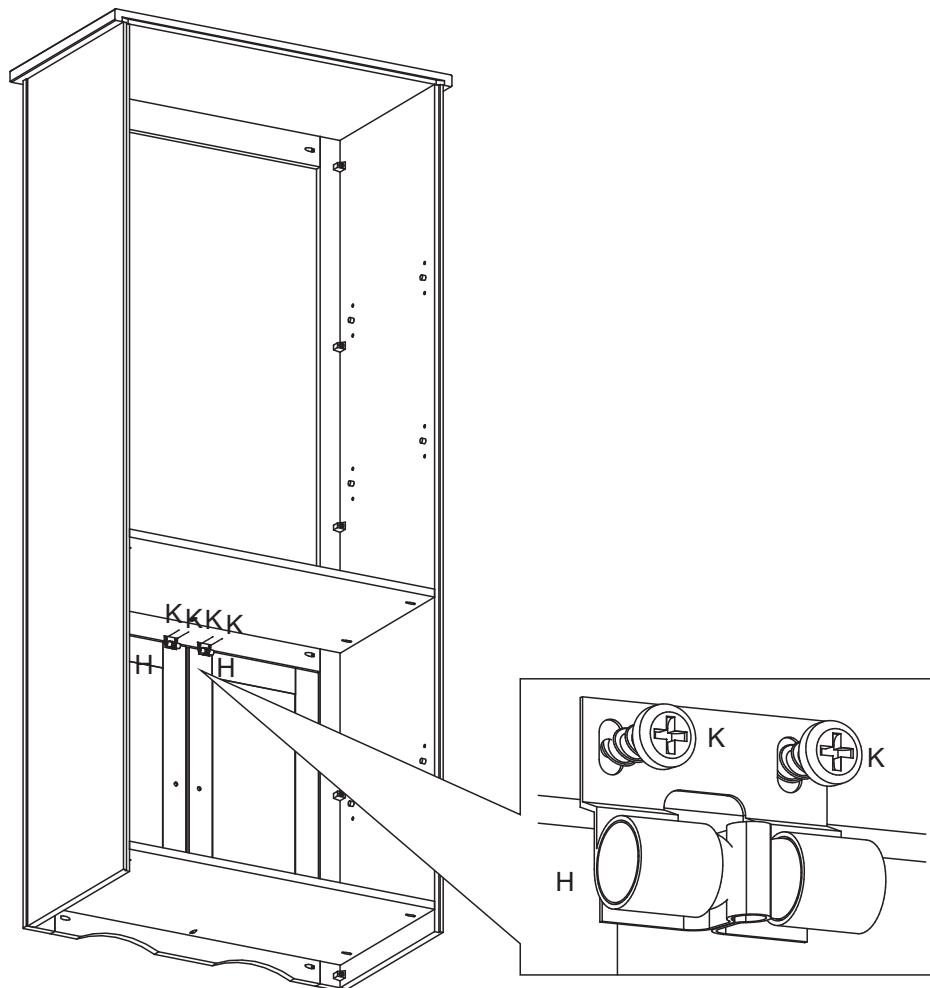
**07**



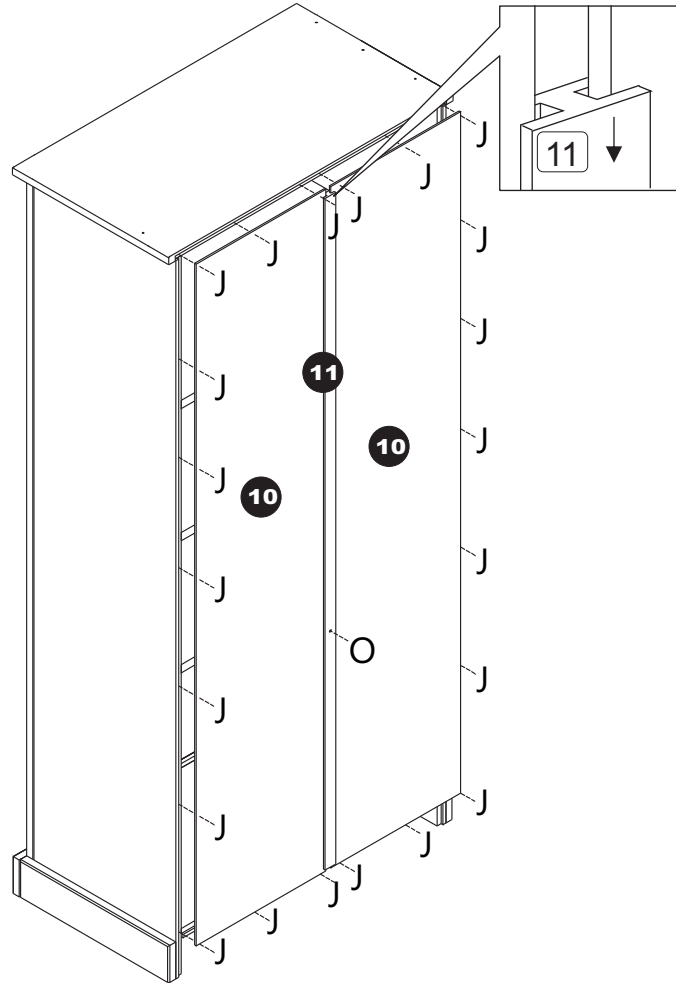
# 08



# 09



10



10

