

# Fusion Jack Recessed Can Adapter

CK001A-FJ-

1.2



Fusion Jack™

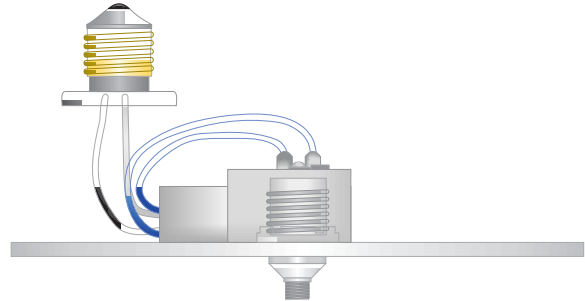
## GENERAL PRODUCT INFORMATION:



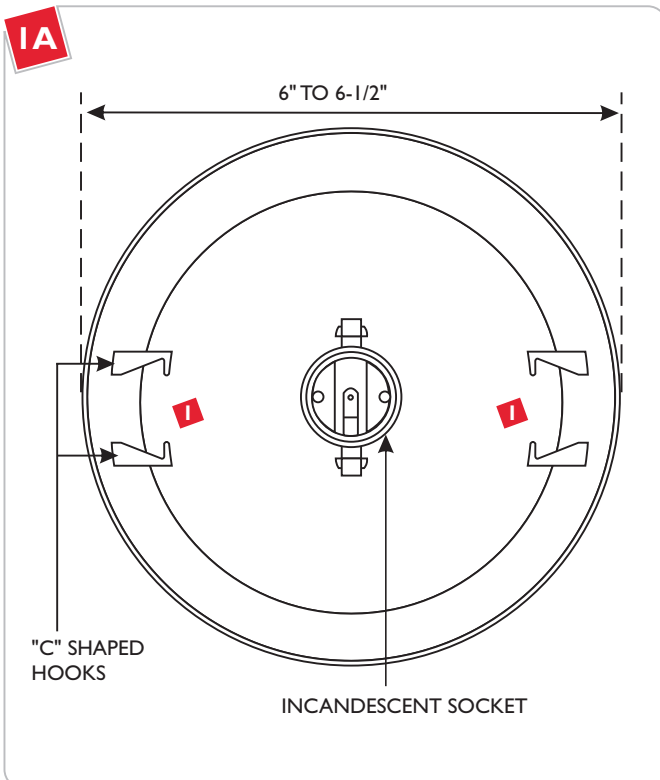
This product is suitable for indoor dry locations only.

The Fusion Jack recessed can adapter can be used with the following Down Lights: Juno IC2, TC2, and TC2R; Halo H7T and H7RT; Cooper Lighting H27RT, Capri (Thomas) Lighting PR75ASIC/TPR75ASIC/DY643 I; Progress Lighting P7TG, P8-TG and PI08-TG.

LBL Lighting is not affiliated with, nor it is endorsed by, any of the companies listed above. LBL Lighting does not distribute or sell any of the products listed above.



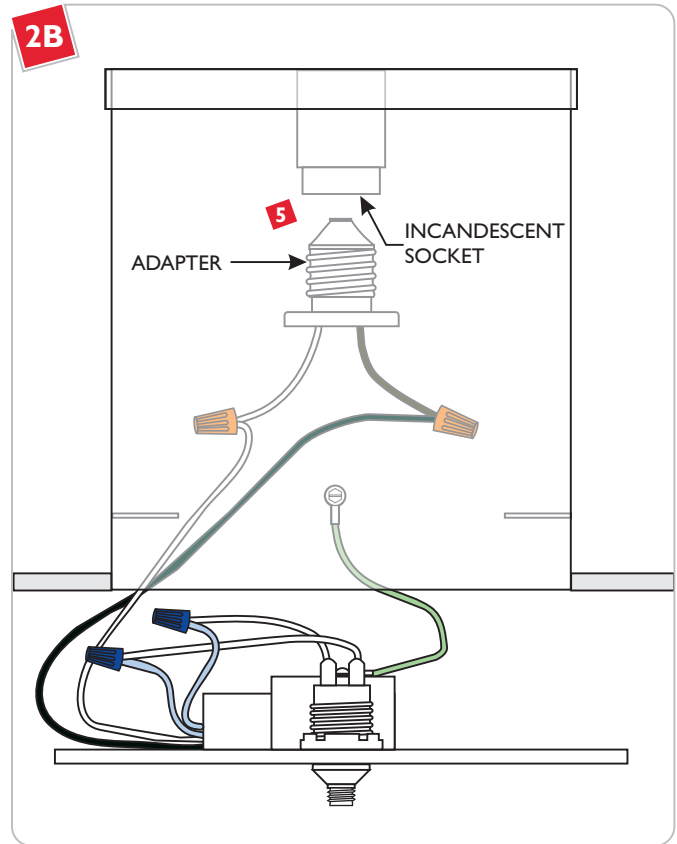
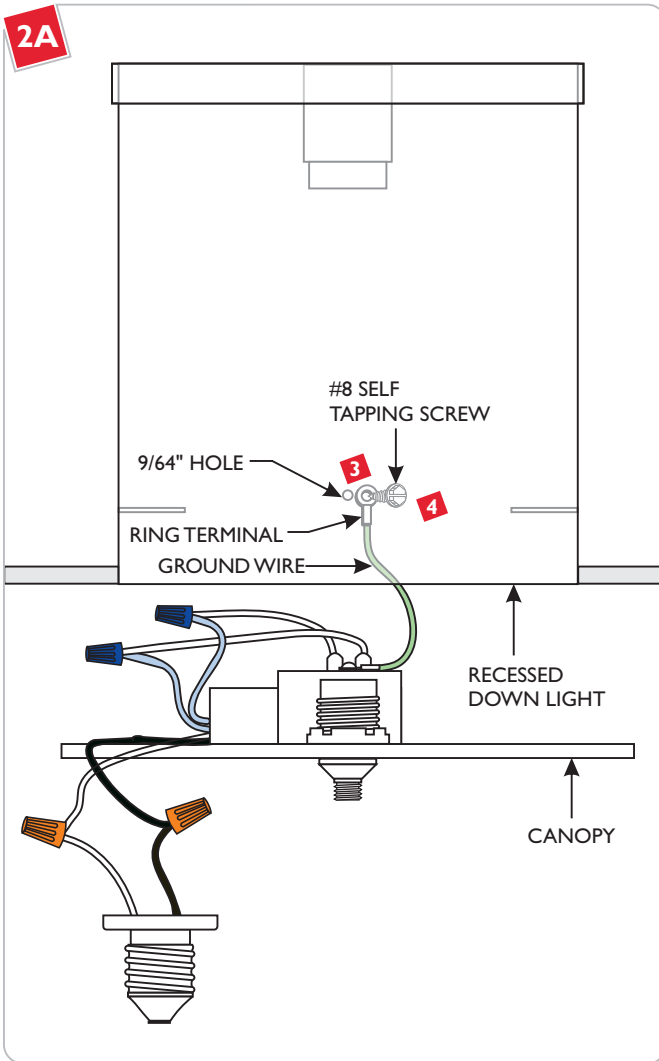
## Down Light Specification



The Fusion Jack recessed can adapter can be mounted to down light's that contain:

- "C" shape hooks on the inside of the can wall.
- That are 6" to 6-1/2" in diameter.

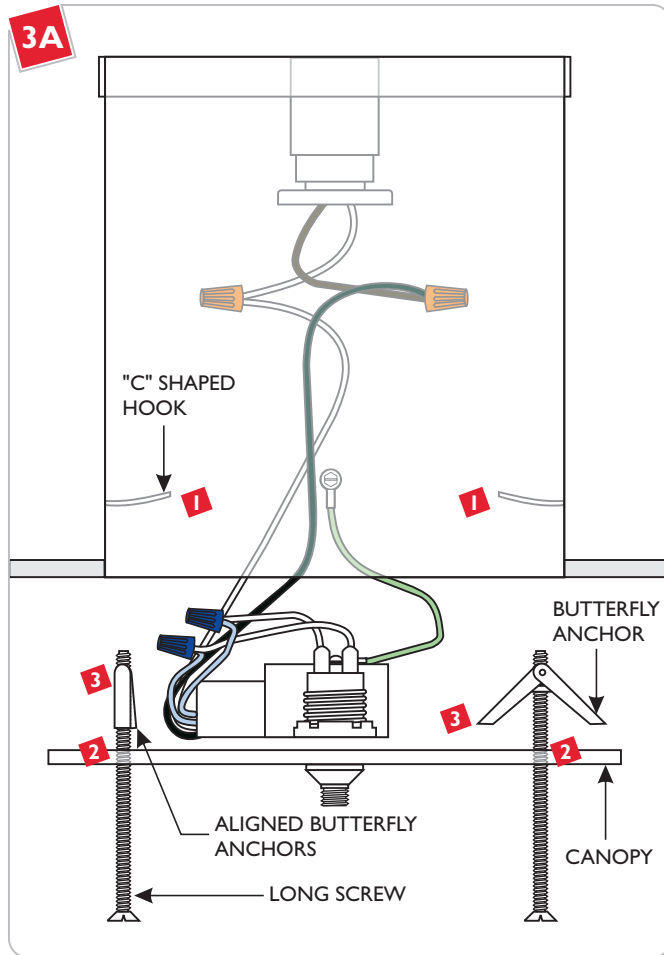
## Power Connection



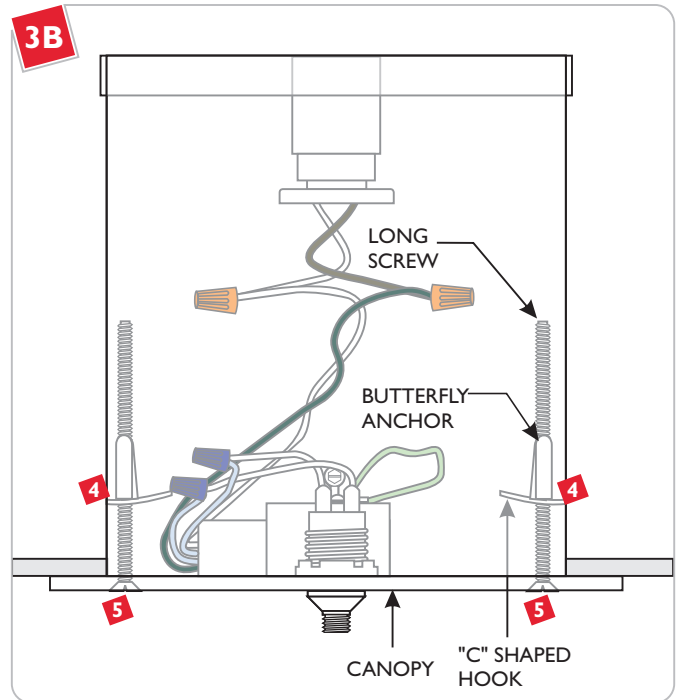
5 Screw the adapter tightly into the incandescent socket.

- 1 Turn the power to the recessed down light off.
- 2 Remove the existing trim and the incandescent lamp.
- 3 Drill a 9/64" hole inside the down light can wall (a pre-drilled hole might exist that is applicable for the ground wire connection).
- 4 Connect the canopy ground wire terminal to the drilled hole with the #8 self tapping screw.

## Installing the Canopy Using the Butterfly Anchors

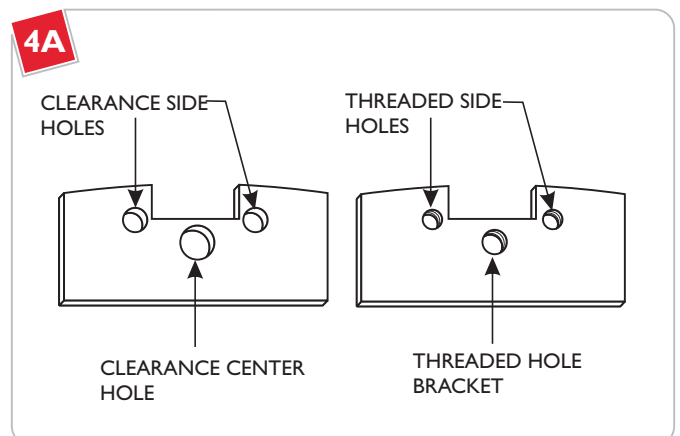


- 1** Bend the "C" shaped hooks slightly up to hold the butterfly anchors.
- 2** Push the long screws through the canopy holes.
- 3** Screw the butterfly anchors onto the tip of the long screws.

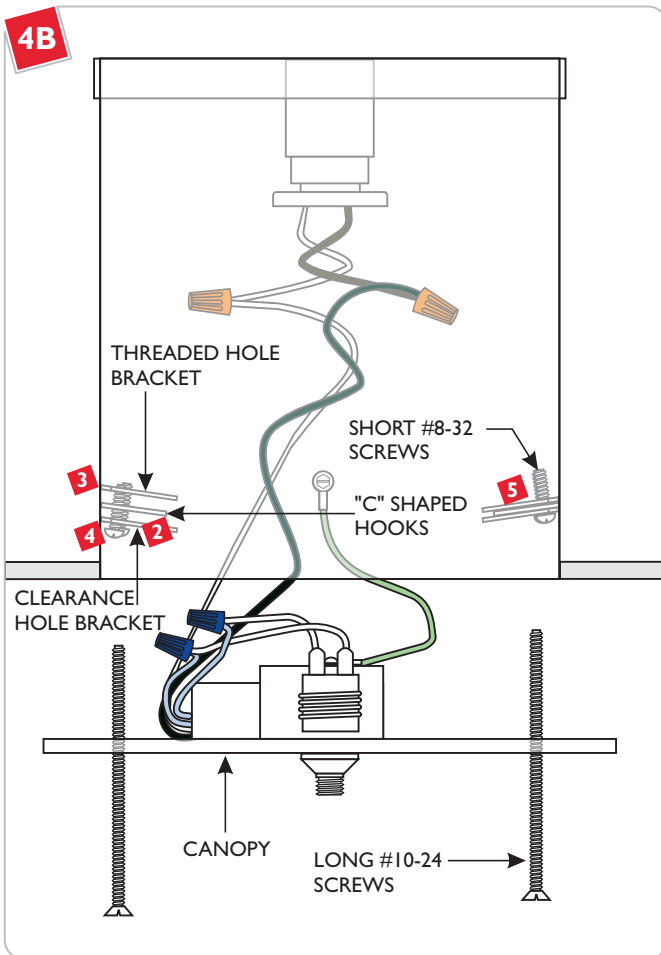


- 4** Align and hang the butterfly anchors onto the "C" shaped hooks on both sides of the down light.
- 5** When the butterfly anchors are properly hung onto the "C" shaped hooks, tighten the long screws by keeping a light tension on the canopy. This will prevent the butterfly anchors from slipping off of the "C" shaped hooks.

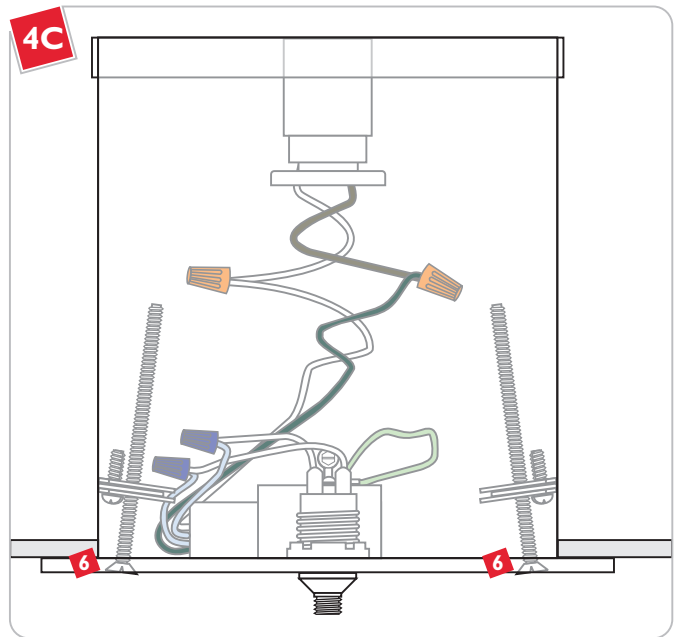
## Installing the Canopy Using the Mounting Brackets



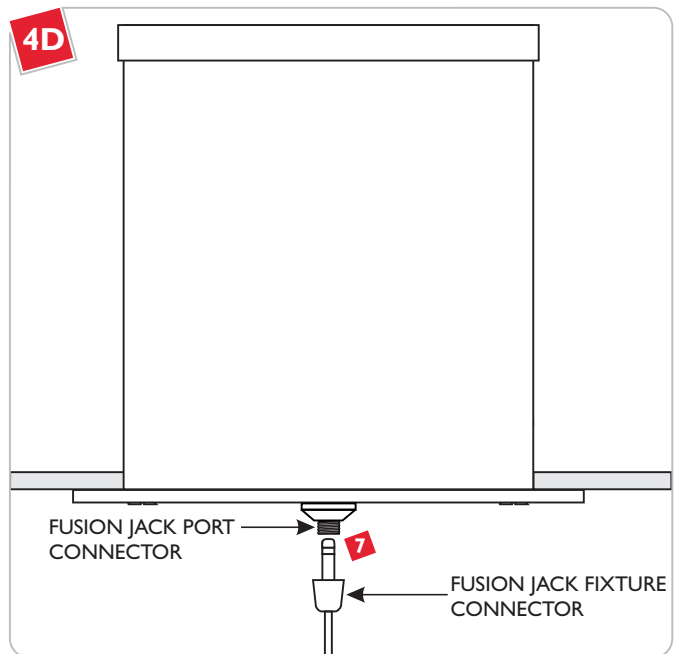
- 1** There are four mounting brackets, two with threaded holes and two with clearance holes. Each set uses a threaded and clearance hole bracket.



- 2 Bend the "C" shaped hooks slightly down to avoid cross threading the long #10-24 screws that hold the canopy.
- 3 Lay one threaded hole bracket on top of the "C" shaped hook so that the curved section of the bracket is in contact with the inside can wall.
- 4 Similarly, from the bottom of the "C" shaped hook, hold the clearance hole bracket. Line the two bracket holes up and screw them together with the two short #8-32 screws so that these brackets clamp the "C" shaped hooks.
- 5 Repeat steps 2 through 4 for the other "C" shaped hooks.



- 6 Screw the long #10-24 screws into the center hole of brackets.



- 7 Screw the Fusion Jack fixture connector into the Fusion Jack port connector.
- 8 Turn the power on.

**SAVE THESE INSTRUCTIONS!**

**LBL Lighting**

7400 Linder Ave, Skokie, IL 60077

800.323.3226 - 847.626.6300

[www.lblighting.com](http://www.lblighting.com)

© 2008 LBL Lighting. All rights reserved. The "LBL Lighting" graphic is a registered trademark of LBL Lighting. LBL Lighting reserves the right to change specifications for product improvements without notification.

A Generation Brands Company