

Mia Bath

HW486O_2G60

1.0



Wall Sconces

GENERAL PRODUCT INFORMATION:



This product can mount to either a 4" square electrical box with round plaster ring or an octagon electrical box.

This product is suitable for indoor dry locations only.

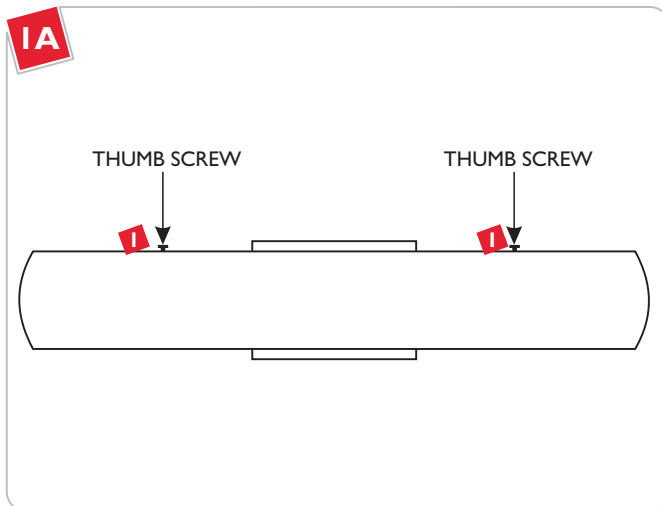
This product can be dimmed with a standard incandescent dimmer.



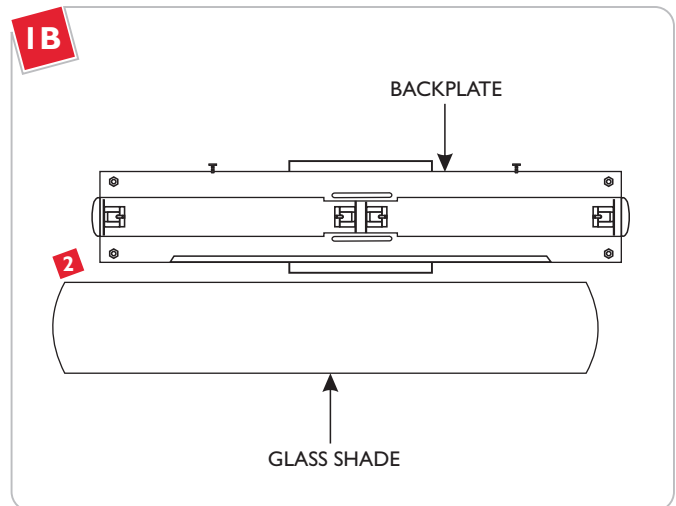
CAUTION - RISK OF FIRE

This product requires installation by a qualified electrician. Before installing be sure to read all instructions and **TURN THE POWER TO THE ELECTRICAL BOX OFF.**

Prepare the fixture for Installation

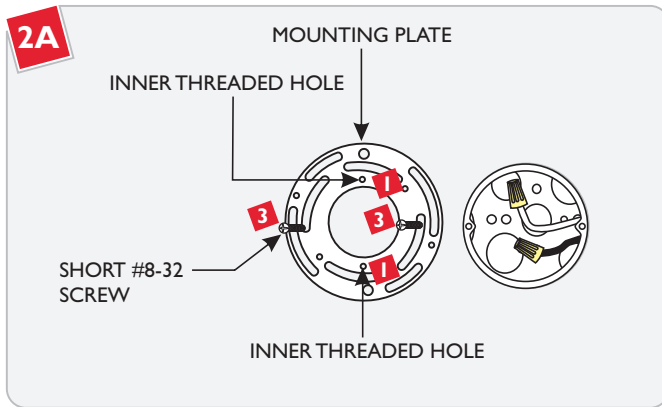


1 Loosen (do not remove) the two thumb screws on the top of the fixture.



2 Carefully remove the glass shade from the backplate.

Install the Mounting Plate

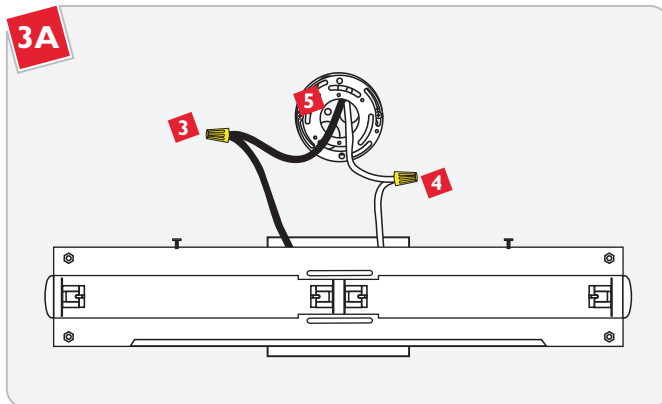


- 1 Make sure the two inner threaded holes on the mounting plate are positioned vertically.

NOTE: For vertical installation the inner threaded holes must be in horizontal position.

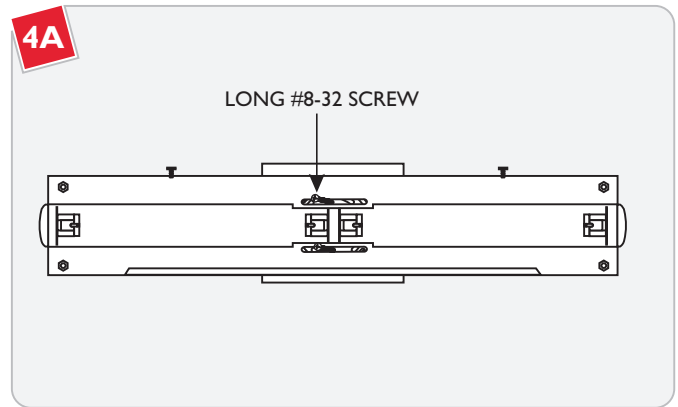
- 2 Line up two mounting plate slots with the two electrical box holes.
- 3 Level the mounting plate vertically and secure it to the electrical box with the two short #8-32 screws provided.

Connect the Power



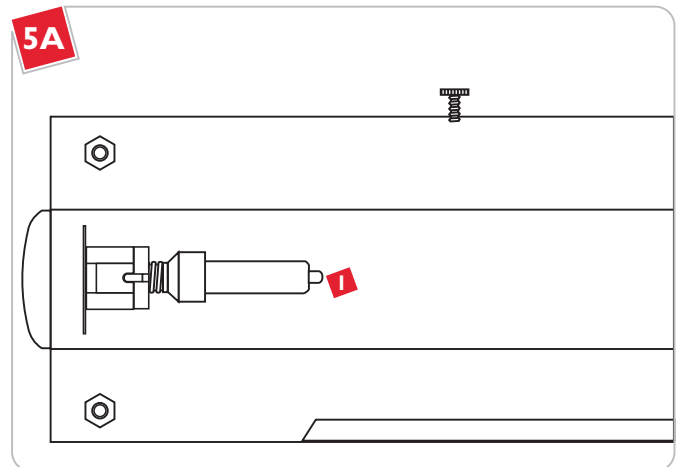
- 1 Turn the power to the electrical box off.
- 2 Make sure that the mounting plate is grounded in accordance with local electrical codes.
- 3 Connect the black fixture wire to the hot power line wire with a wire nut.
- 4 Connect the white fixture wire to the neutral power line wire with a wire nut.
- 5 Properly place all wires into the electrical box.

Install the Backplate



- 1 Line up the two backplate slots with the two mounting plate inner threaded holes.
- 2 Level the backplate horizontally and secure it to the electrical box with the two long #8-32 screws provided.

Install the Lamp



NOTE: Use only your fingers and a soft cloth to replace the lamp.

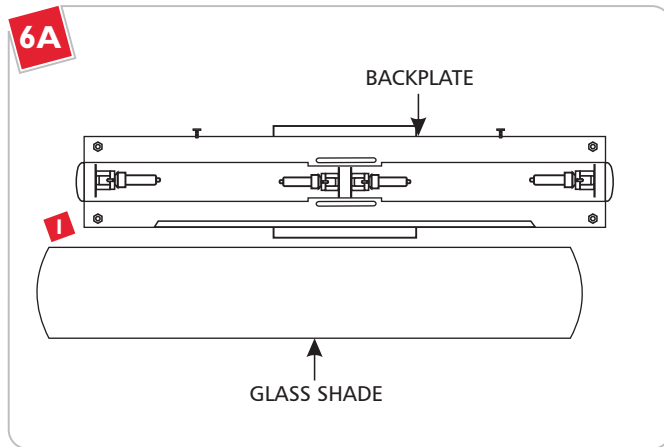
CAUTION: To reduce the risk of a burn or electric shock during relamping, disconnect the power to the fixture by turning the wall switch off.

Use **MAX** 120 Volt, **60** Watt Type T4, E11 Base Mini Candelabra Halogen Lamp.

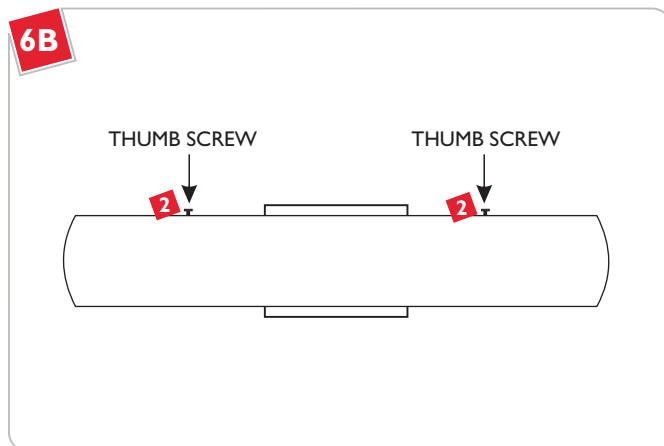


- 1 Screw the lamp into the socket.

Install the Glass Shade



- 1** Replace the glass shade into backplate.



- 2** Tighten the two thumb screws on one side of the backplate.

NOTE: Do not over tighten the thumb screws which may cause the glass shade to break.

IMPORTANT SAFETY INSTRUCTIONS

To reduce the risk of fire, electrical shock, exposure to excessive UV radiation, or injury to person:

- Use this fixture indoors only.
- Do not look directly at the lighted lamp.
- Do not remain in light if skin feels warm.
- Risk of fire: Use only the type of lamp and maximum wattage indicated in this instruction manual.
- Never cover the halogen lamp with anything other than a Tech Lighting lamp shield and never place flammable material close to your fixture.
- Never turn the fixture on and off by connecting and disconnecting the halogen lamp.
- Do not touch the fixture shades or lamp shield while the fixture is on. These surfaces may be HOT.

Halogen Lamp General Information

- A new halogen lamp may smoke slightly when it is used for the first time. This is perfectly normal; the protective coating is simply being vaporized.

Two Tips For Prolonging Halogen Lamp Life

- First avoid touching the lamp with bare hands during installation. Any contaminant, even the oil from your hands can deteriorate the lamp. Rubbing alcohol can be used to remove any contaminant.
- Second, do not run the lamps at full power when you do not need to. However, if dimming the fixture for an extended period of time, occasionally bring the light up to full brightness for a few minutes to complete the halogen cycle.

SAVE THESE INSTRUCTIONS!



7400 Linder Ave, Skokie, IL 60077

800.323.3226 - 847.626.6300

www.lblighting.com

© 2008 LBL Lighting. All rights reserved. The "LBL Lighting" graphic is a registered trademark of LBL Lighting. LBL Lighting reserves the right to change specifications for product improvements without notification.

A Generation Brands Company