

3,5 & 7 Large Round Suspension Canopy

CK00_-_ I.0



GENERAL PRODUCT INFORMATION:



This product is suitable for indoor dry locations only.

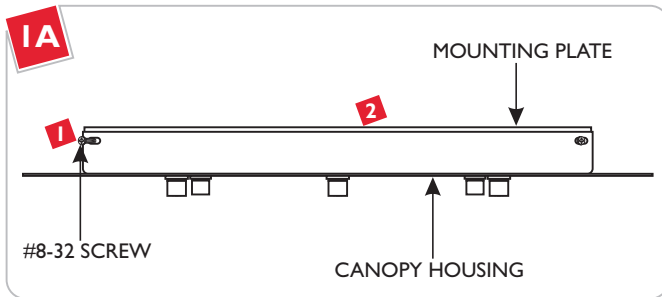
This product can be dimmed with a standard incandescent dimmer.

This instruction is for the following models:

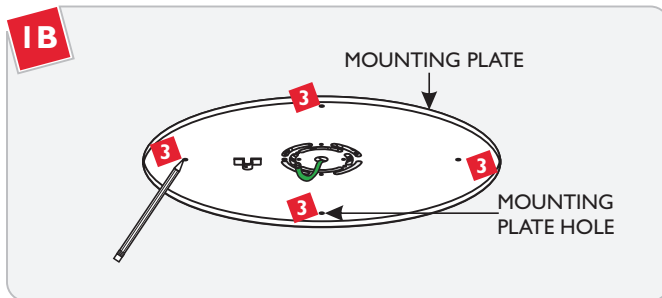
- 7 Port Round Canopy (CK007B-)
- 5 Port Round Canopy (CK005B-)
- 3 Port Round Canopy (CK003D-)



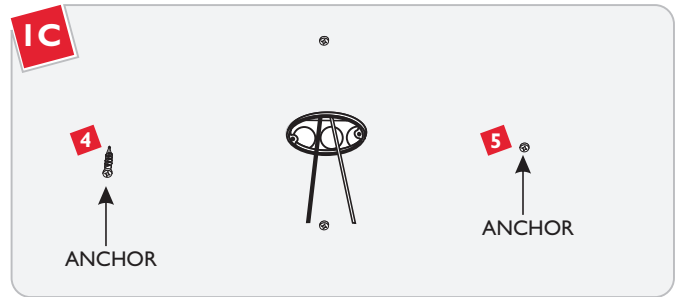
Install the Canopy



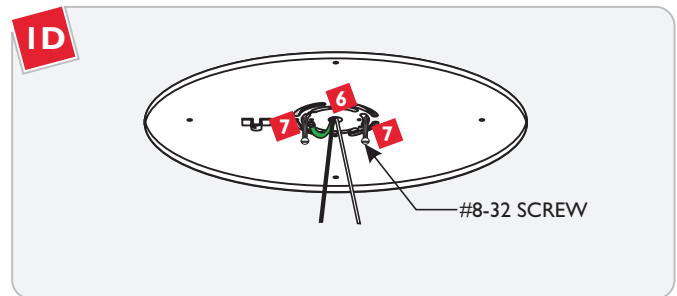
- 1 Remove the #8-32 screws on the sides of the canopy housing.
- 2 Lift the mounting plate from the canopy housing.



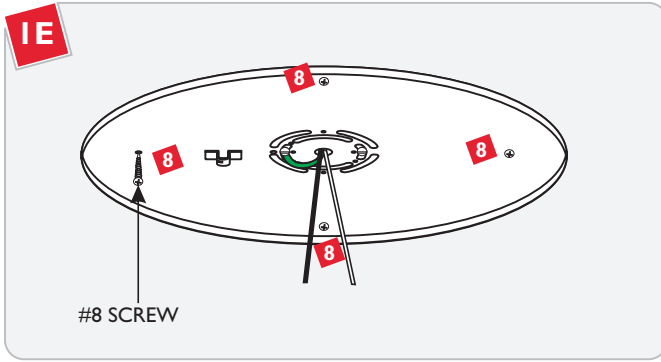
- 3 Align the mounting plate holes with the electrical box holes and mark four points onto the ceiling through the mounting holes.



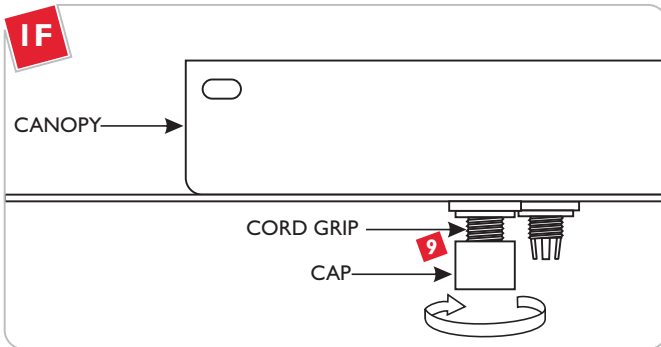
- 4 With a hammer tap the anchors at the marked points into the ceiling up to the threaded portion.
- 5 Screw the anchors in the rest of the way with a Phillips screwdriver.



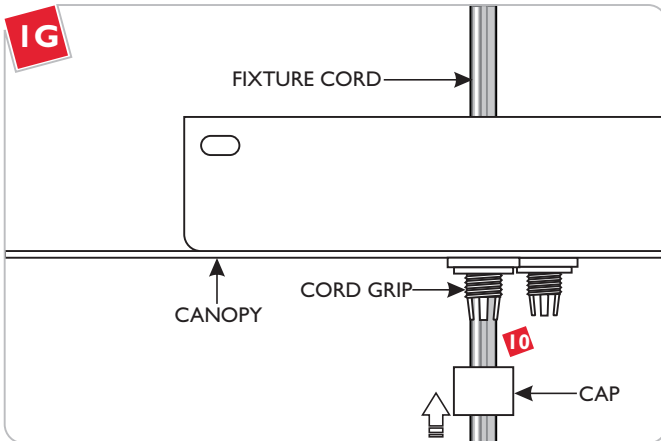
- 6 Feed the power line wires through the mounting plate center hole.
- 7 Line up the two mounting plate slots with the electrical box holes and use the two provided #8-32 screws to mount it to the electrical box.



8 Secure the mounting plate to the anchors with the provided #8 screws.

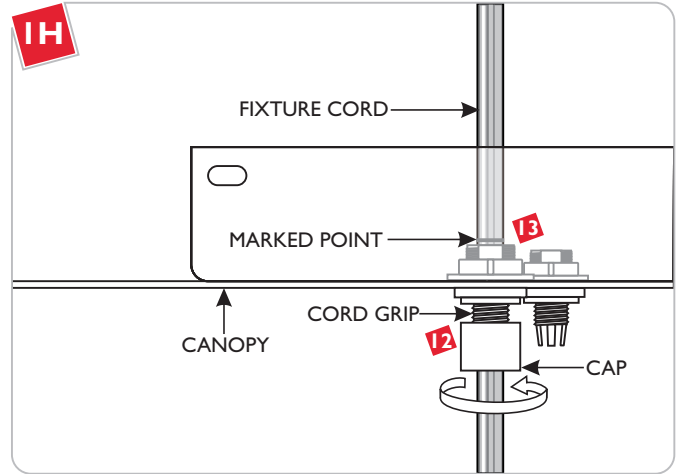


9 For each of the canopies cord grips unscrew the caps.



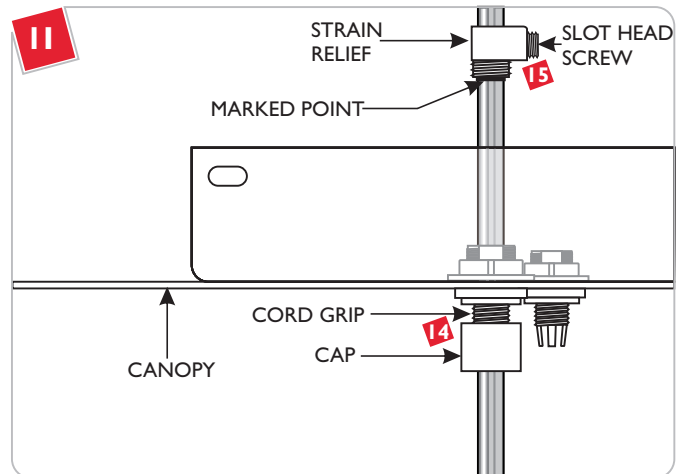
10 Feed the fixture cord through the cap and cord grip into the canopy.

11 Adjust the fixture height (from bottom of the fixture shade to top of the canopy) by moving the fixture cord up or down.



12 When desired height is achieved, slightly tighten the cap.

13 From inside the canopy mark the cord right behind the cord grip for the strain relief location.



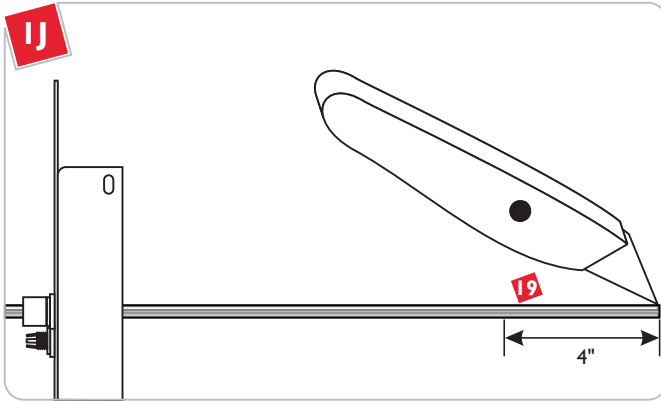
14 Loosen the cap and feed the cord through the strain relief.

15 Place the strain relief right above the marked point and tighten the slot head screw.

16 Slide the canopy against the strain relief and tighten the cap to the cord grip.

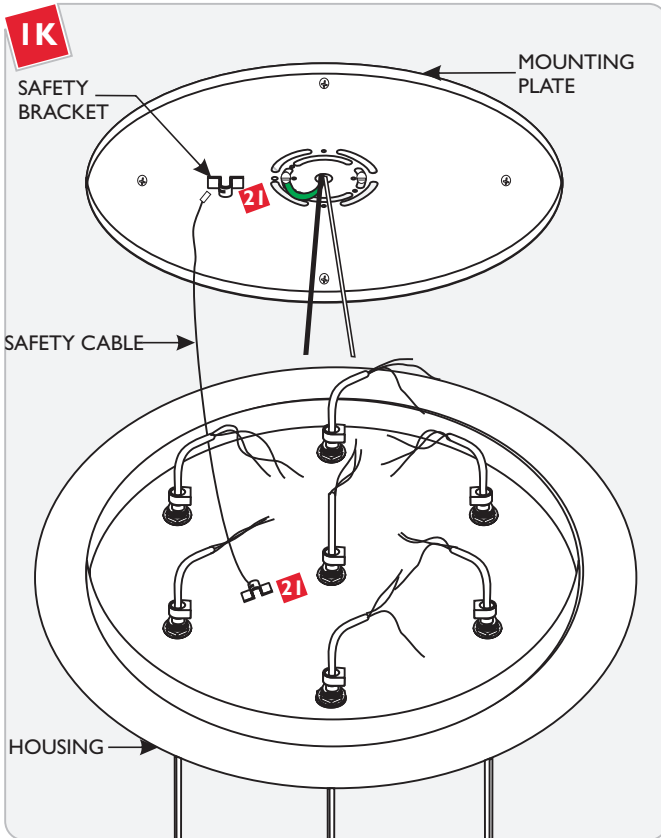
17 For power connection, leave at least 1' of the cord exposed in the back of the canopy.

18 Cut off excess cord with a sharp cutter.



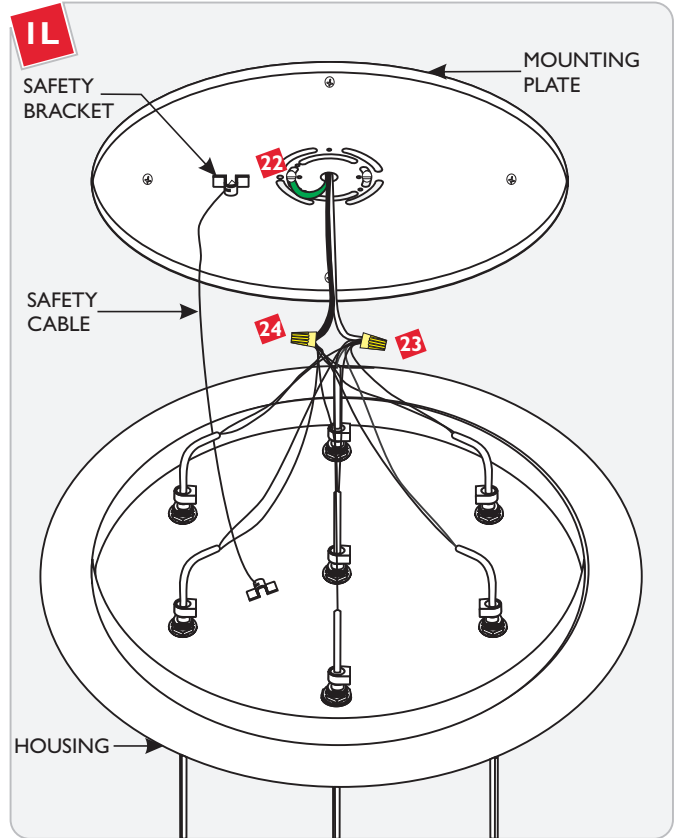
19 From the end of the cord, strip the outer insulation 4" using a sharp knife. **Make sure not to cut inner wires.**

20 Strip 1/4" of insulation from the inner insulated wires.



NOTE: It is recommended that one person holds the canopy while the electrician finishes the installation.

21 Insert one end of the safety cable into the mounting plate safety bracket and insert the other end into the housing safety bracket.

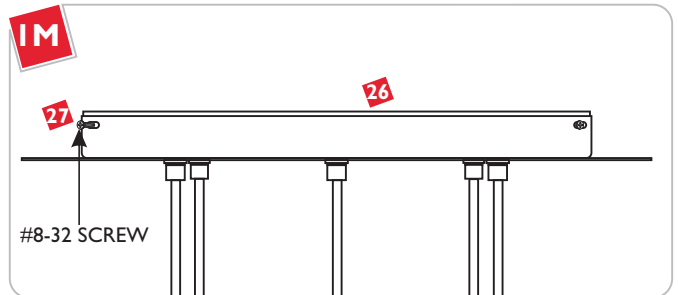


22 Make sure the mounting plate is grounded in accordance with local electrical codes.

23 Connect the neutral suspension cords to the neutral power line wire and secure with a wire nut.

24 Connect the hot suspension cords to the hot power line wire and secure with a wire nut.

25 Place all wires and wire nut connections properly inside the housing.



26 Slide the housing onto the mounting plate and line up the housing holes with the mounting plate holes.

27 Replace and tighten the #8-32 screws to secure the housing in place.

SAVE THESE INSTRUCTIONS!



7400 Linder Ave, Skokie, IL 60077

800.323.3226 - 847.626.6300

www.lblighting.com

© 2008 LBL Lighting. All rights reserved. The "LBL Lighting" graphic is a registered trademark of LBL Lighting. LBL Lighting reserves the right to change specifications for product improvements without notification.

A Generation Brands Company