

# 3 Round Fusion Jack Canopy

CK003B-FJ\_ 1.0



## GENERAL PRODUCT INFORMATION:

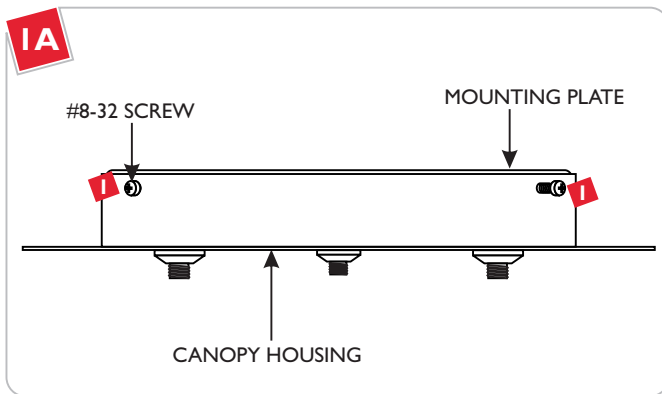


This product is suitable for indoor dry locations only.

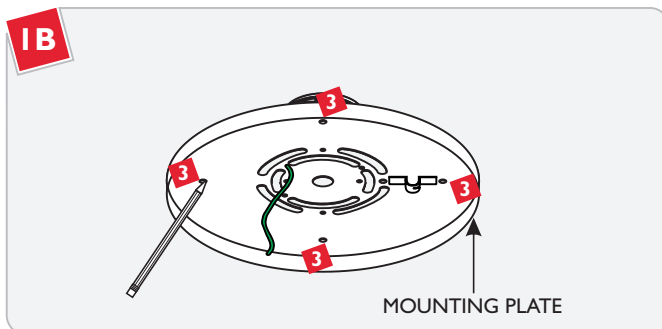
This product can be dimmed with a standard incandescent dimmer.



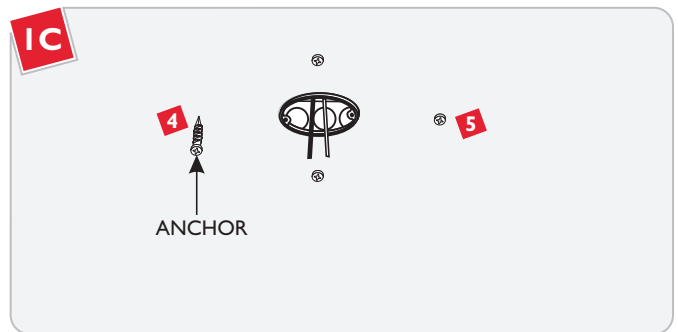
## Install the 3 Round Fusion Jack Canopy



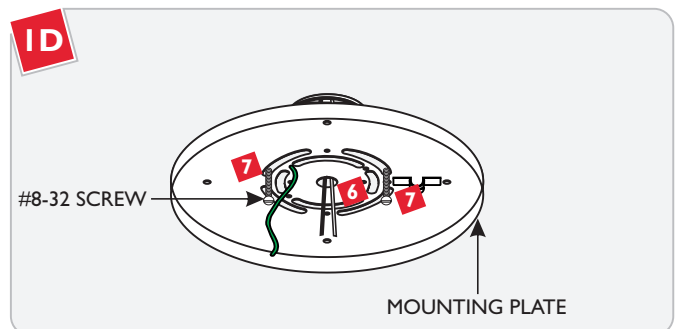
- 1 Remove the three #8-32 screws on the canopy housing.
- 2 Lift the mounting plate from the housing.



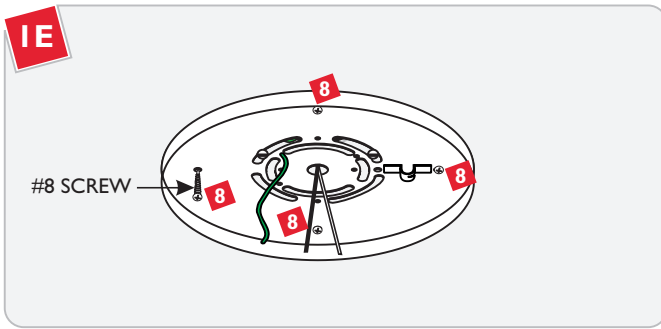
- 3 Align the mounting plate slots with the electrical box holes and mark four points onto the ceiling through the mounting holes.



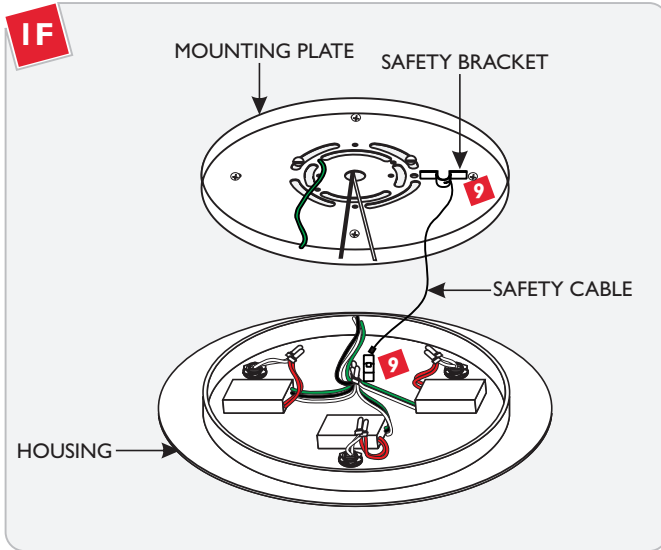
- 4 With a hammer tap the anchors at the marked points into the ceiling up to the threaded portion.
- 5 Screw the anchors in the rest of the way with a Phillips screwdriver.



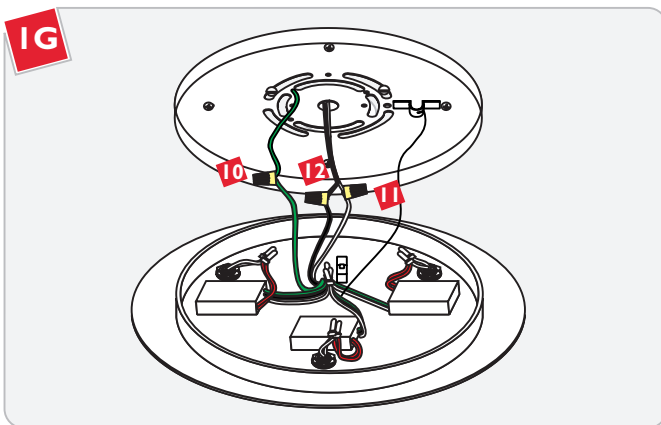
- 6 Feed the power line wires through the mounting plate center hole.
- 7 Line up the two mounting plate slots with the electrical box holes and use the two provided #8-32 screws to mount it to the electrical box.



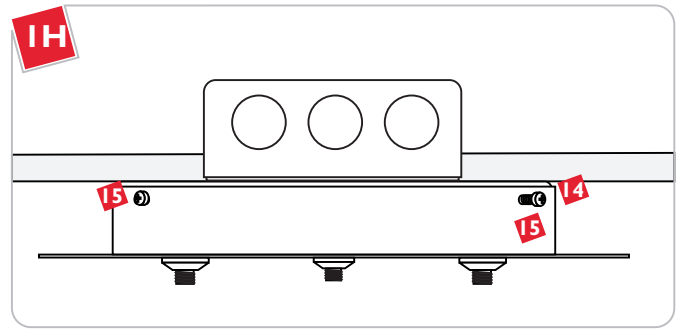
- 8 Secure the mounting plate to the four anchors with the four provided #8 screws.



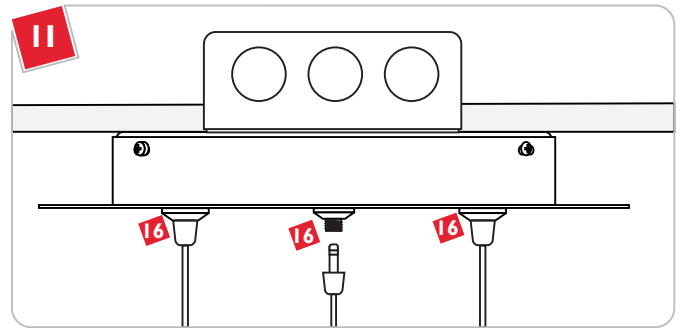
- 9 Insert one end of the safety cable into the mounting plate safety bracket and insert the other end into the housing safety bracket.



- 10 Make sure the mounting plate is grounded in accordance with local electrical codes.
- 11 Connect the housing white wire to the neutral power line wire with a wire nut.
- 12 Connect the housing black wire to the hot power line wire with a wire nut.



- 13 Place all wires and wire nut connections properly inside the housing.
- 14 Slide the housing onto the mounting plate and line up the housing holes with the mounting plate holes.
- 15 Replace and tighten the three #8-32 screws to secure the housing in place.



**CAUTION: RISK OF FIRE. Maximum** load per port is **75 watt. Do Not Overload!**

- 16 Screw each fixture Fusion Jack completely into one Fusion Jack port.
- 17 Turn the power on.

**SAVE THESE INSTRUCTIONS!**

**LBL Lighting**

7400 Linder Ave, Skokie, IL 60077

800.323.3226 - 847.626.6300

[www.lblighting.com](http://www.lblighting.com)

© 2008 LBL Lighting. All rights reserved. The "LBL Lighting" graphic is a registered trademark of LBL Lighting. LBL Lighting reserves the right to change specifications for product improvements without notification.

A Generation Brands Company