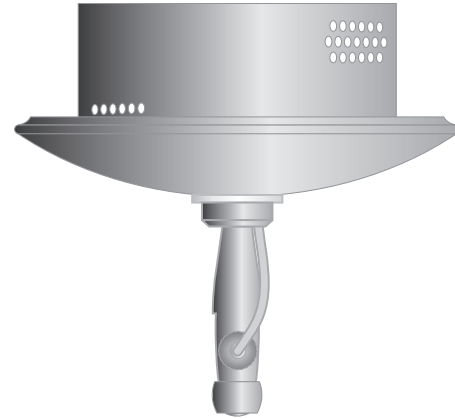


# 12 Volt 300 Watt Single Direct Power Feed Electronic Surface Mount Transformers

**TRANSDIR-SFE300\_-2** | **1.3**


### CAUTION - RISK OF FIRE

This product requires installation by a qualified electrician. Before installing be sure to read all instructions and **DISCONNECT POWER TO THE ELECTRICAL BOX.**

## GENERAL PRODUCT INFORMATION:



This product is ETL listed and suitable only for indoor dry locations and approved for use at any height above the finished floor.

A typical installation is shown. Specific installation must be in accordance with local electrical codes.

This product may be dimmed only with a low voltage electronic dimmer. Using a dimmer not designed for low voltage electronic applications may work initially, but could eventually cause transformer failure and will void the warranty. The dimmer must be derated as indicated by the dimmer manufacturer.

This product is intended for use with LBL Lighting low voltage lighting systems only.

Read all instructions thoroughly. Read "Important Safety Information" on next column before proceeding with the installation.

## Important Safety Information

Do not conceal or extend bus bar conductors through a building wall.

Do not install this lighting system in a damp or wet location.

To reduce the risk of fire and burns, do not install this lighting system where the uninsulated open bus bar conductors can be shorted or contact any conductive materials.

To reduce the risk of the system overheating and possibly causing a fire, make sure all the connections are tight.

Do not install fixture assemblies closer than six inches to curtains or similarly combustible materials.

Turn the electrical power off before modifying the lighting system in any way.

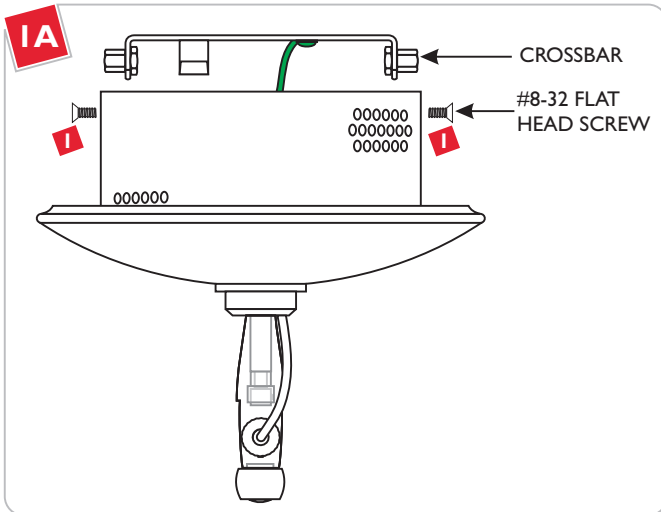
The fixtures used with the system must be identified to be used with the corresponding system.

Minimum volume of the electrical box must be 6 cubic inches (98 cubic centimeters).

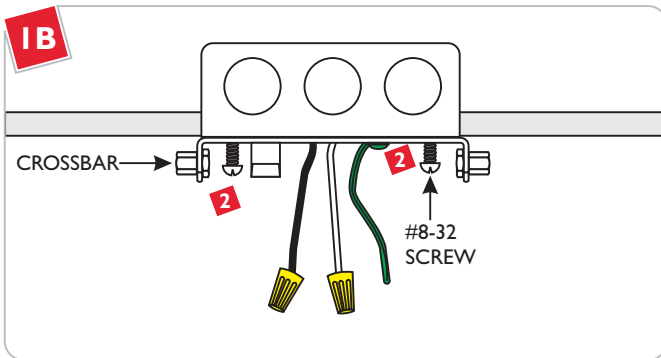
Load the circuit of the surface mount transformer to no more than the maximum rated capacity as specified.

To reset the electronic surface mount transformer, turn the power off then on (main power, breaker panel, or wall switch).

# Install the Transformer

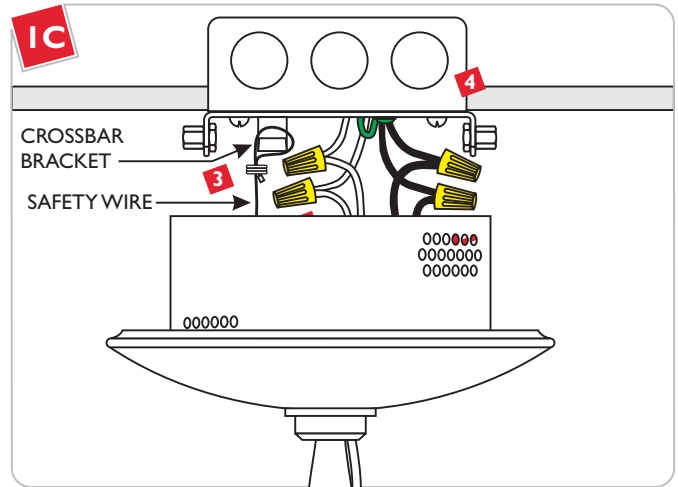


- 1 Remove the two #8-32 flat head screws to remove the crossbar.



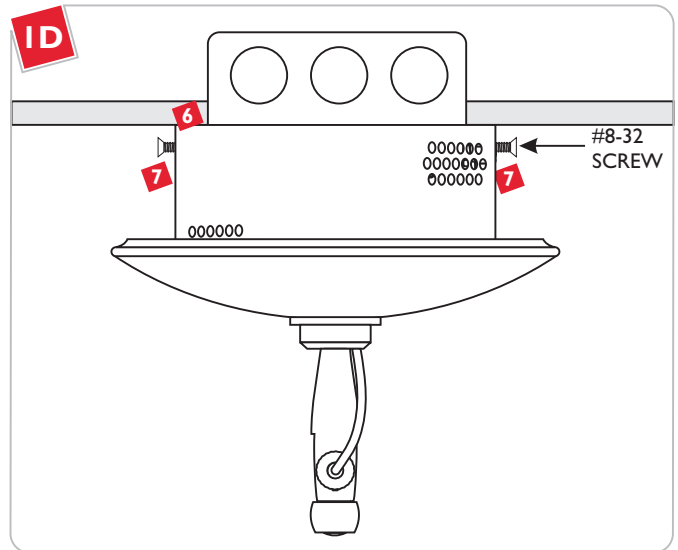
**CAUTION: Turn the power to electrical box off!**

- 2 Mount the crossbar to the electrical box with the provided two #8-32 screws.



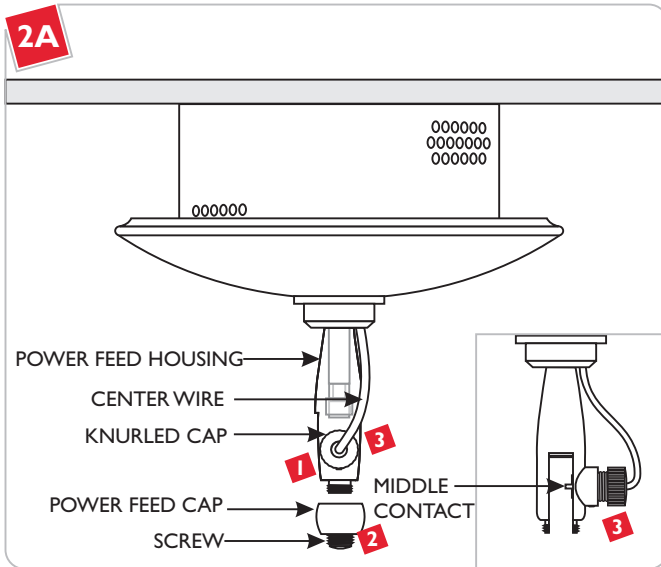
**NOTE:** All transformer power line wires must be connected to the same phase.

- 3 Hook the transformer safety wire onto the backplate bracket.
- 4 Connect the backplate to a suitable ground in accordance with local electrical codes.
- 5 For each set of power line wires, connect the hot and neutral wires to the black and white transformer wires, respectively.



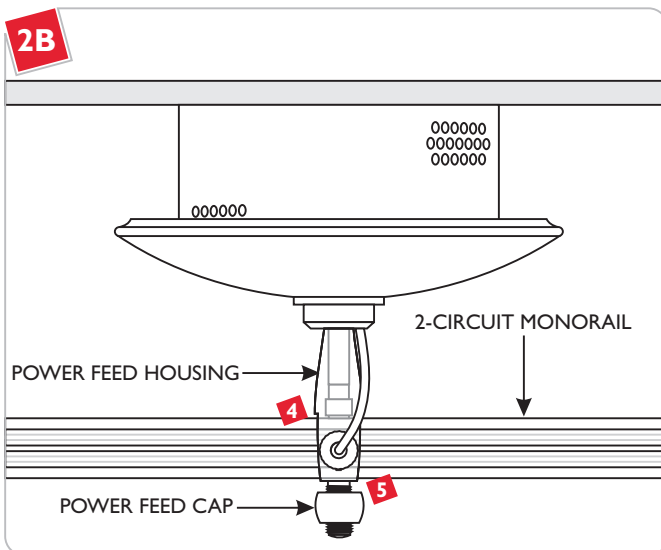
- 6 Slide the transformer onto the crossbar.
- 7 Align the transformer holes with the crossbar holes; replace and tighten the two #8-32 flat head screws.

## Connect the 2-Circuit Monorail to the Transformer

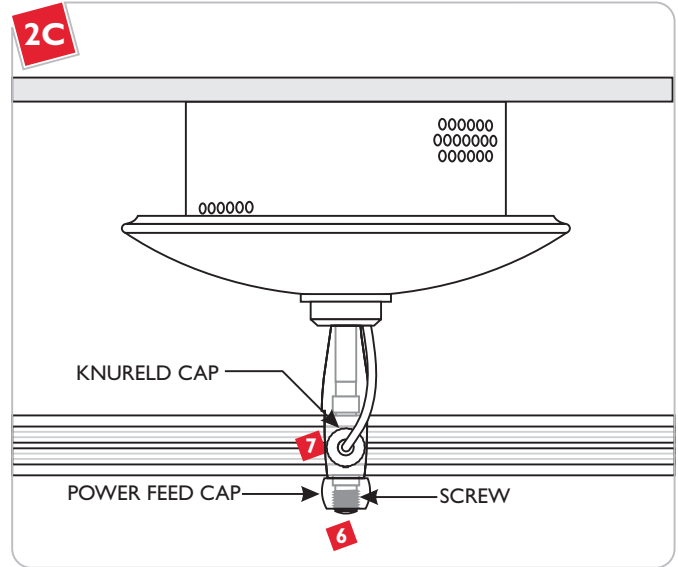


**NOTE:** The standoffs should be installed to support the 2-Circuit Monorail while connecting 2-Circuit Monorail to the surface mount transformer. Refer to the instructions provided with the standoffs.

- 1 Remove the power feed cap from the power feed housing.
- 2 Completely back out the screw on the power feed cap.
- 3 Loosen (**Do Not Remove**) the knurled cap on the power feed housing and pull the center wire slightly out so that the middle contact is not exposed in power feed housing.



- 4 Place a 2-Circuit Monorail section into the standoffs and power feed housings.
- 5 Screw the power feed cap completely to the power feed housing. **Make sure that the power feed cap is not cross threaded.**



- 6 Tighten the screw on the power feed cap for proper power connection.
- 7 Tighten the knurled cap for proper power connection.

**SAVE THESE INSTRUCTIONS!**



7400 Linder Ave, Skokie, IL 60077  
800.323.3226 - 847.626.6300

[www.lblighting.com](http://www.lblighting.com)

© 2008 LBL Lighting. All rights reserved. The "LBL Lighting" graphic is a registered trademark of LBL Lighting. LBL Lighting reserves the right to change specifications for product improvements without notification.

A Generation Brands Company