

# 24 Volt 600 Watt Single Direct Power Feed Magnetic Surface Mount Transformers

**TRANSDIR-SFM600 /24V | 1.0**


### CAUTION - RISK OF FIRE

This product requires installation by a qualified electrician. Before installing be sure to read all instructions and **TURN THE POWER TO THE ELECTRICAL BOX OFF.**

## GENERAL PRODUCT INFORMATION:



This product is ETL listed and suitable only for indoor dry locations and approved for use at any height above the finished floor.

A typical installation is shown. Specific installation must be in accordance with local electrical codes.

This product may be dimmed only with a low voltage magnetic dimmer. Using a dimmer not designed for low voltage magnetic applications may work initially, but will eventually cause transformer failure and will void the warranty. The dimmer must be derated as indicated by the dimmer manufacturer.

This product is intended for use with LBL Lighting low voltage lighting systems only.

Read all instructions thoroughly. Read "Important Safety Information" on next column before proceeding with the installation.

## Important Safety Information

Do not conceal or extend bus bar conductors through a building wall.

Do not install this lighting system in a damp or wet location.

To reduce the risk of fire and burns, do not install this lighting system where the uninsulated open bus bar conductors can be shorted or contact any conductive materials.

To reduce the risk of the system overheating and possibly causing a fire, make sure all the connections are tight.

Do not install fixture assemblies closer than six inches to curtains or similarly combustible materials.

Turn the electrical power off before modifying the lighting system in any way.

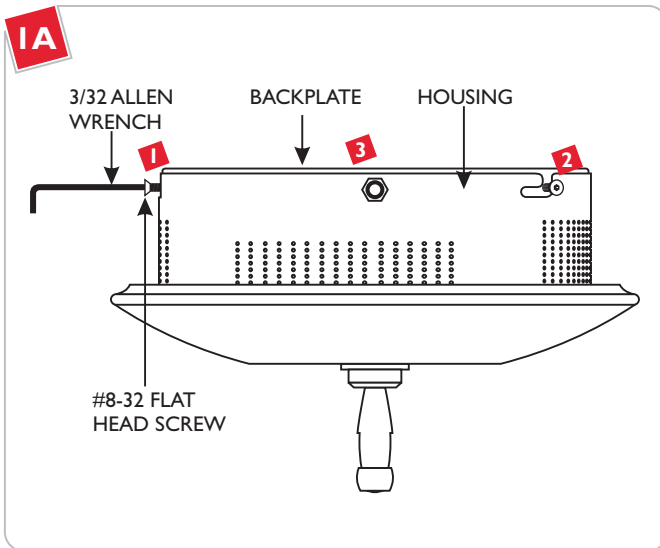
The fixtures used with the system must be identified to be used with the corresponding system.

Minimum volume of the electrical box must be 6 cubic inches (98 cubic centimeter).

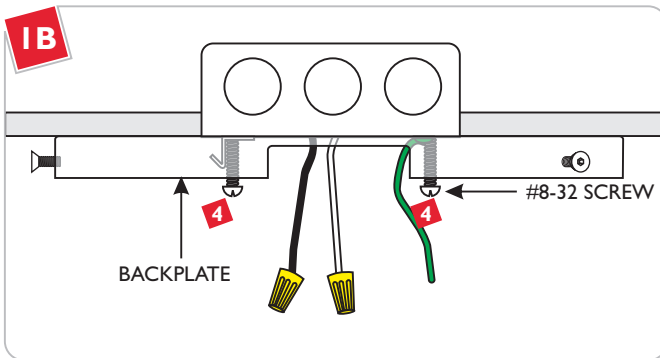
The system is "ETL" listed for USA and Canada only when all the products used are supplied by LBL Lighting.

Load the circuit of the surface mount transformer to no more than the maximum rated capacity as specified.

# Install the Transformer

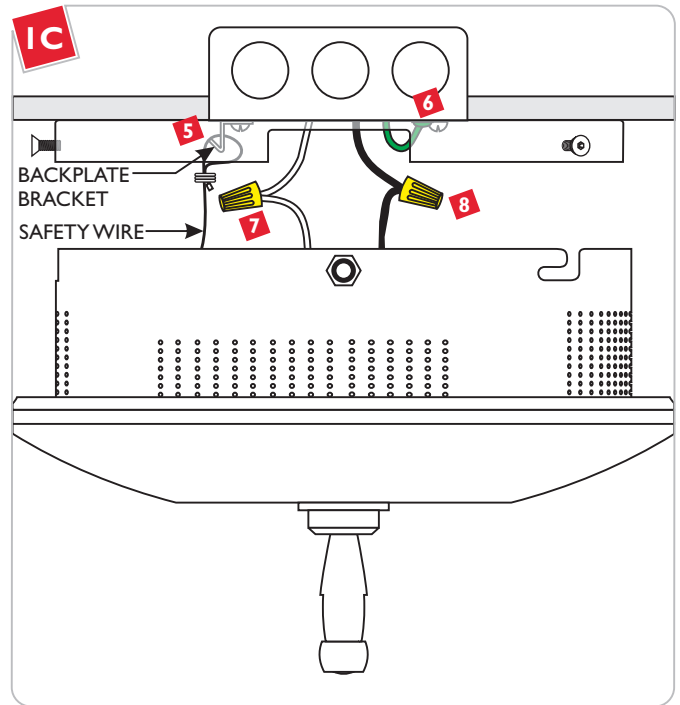


- 1 Loosen (**Do Not Remove**) the three #8-32 flat head screws with the provided 3/32 Allen wrench.
- 2 Rotate the backplate counter clockwise so that the #8-32 flat head screws are lined up with vertical cut out portion of the "L" slots.
- 3 Remove the backplate from the housing.

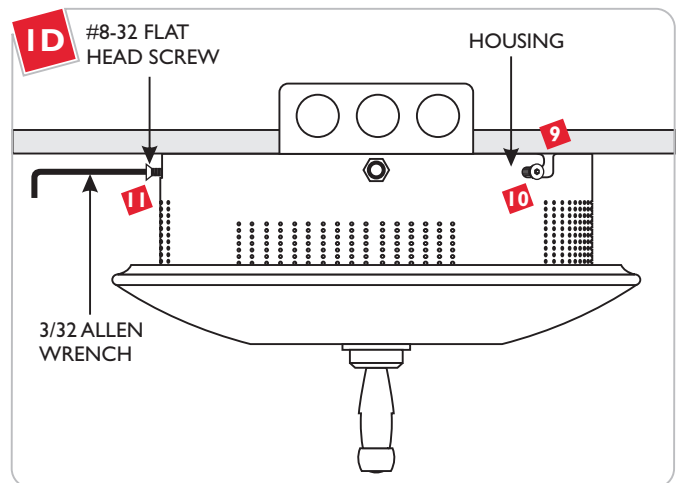


**CAUTION: Turn the power to electrical box off!**

- 4 Mount the backplate to the electrical box with the provided two #8-32 screws.

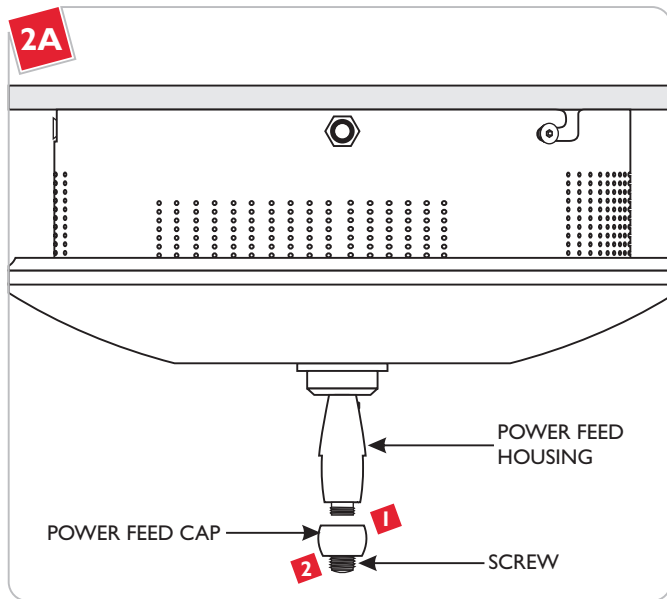


- 5 Hook the transformer safety wire onto the backplate bracket.
- 6 Connect the backplate green wire to the ground in accordance with local electrical codes.
- 7 Connect the transformer white wire to the neutral power line wire with a wire nut.
- 8 Connect the transformer black wire to the hot power line wire with a wire nut.



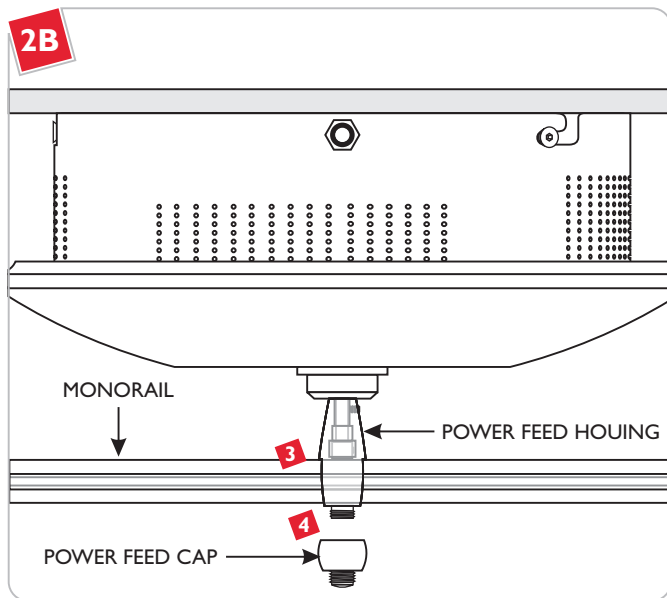
- 9 Slide the vertical portion of the housing "L" slots completely onto the three backplate #8-32 flat head screws.
- 10 Rotate the transformer housing counter clockwise to lock the housing slots around the #8-32 flat head screws.
- 11 Tighten the three #8-32 flat head screws with the 3/32 Allen wrench to secure the transformer in place.

# Connect the Monorail to Transformer

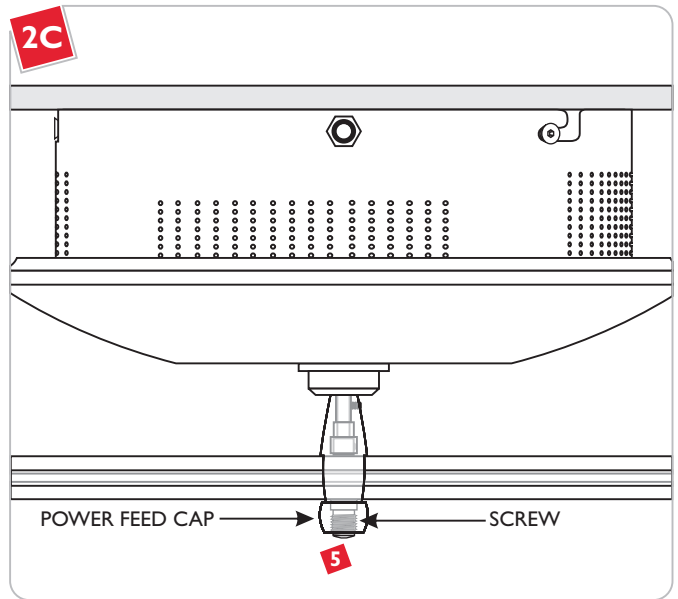


**NOTE:** The standoffs should be installed to support the Monorail while connecting Monorail to the surface mount transformer. Refer to the instruction provided with the standoffs.

- 1 Remove the power feed cap from the power feed housing.
- 2 Completely back out the screw on the power feed cap.



- 3 Place a Monorail section into the standoffs and power feed housings.
- 4 Screw the power feed cap completely to the power feed housing. ***Make sure that the power feed cap is not cross threaded.***



- 5 Tighten the screw on the power feed cap for proper power connection.

**SAVE THESE INSTRUCTIONS!**



7400 Linder Ave, Skokie, IL 60077  
800.323.3226 - 847.626.6300

[www.lblighting.com](http://www.lblighting.com)

© 2008 LBL Lighting. All rights reserved. The "LBL Lighting" graphic is a registered trademark of LBL Lighting. LBL Lighting reserves the right to change specifications for product improvements without notification.

A Generation Brands Company