

# Superdelta Oval (Compact Fluorescent)

175\_HE 1.0



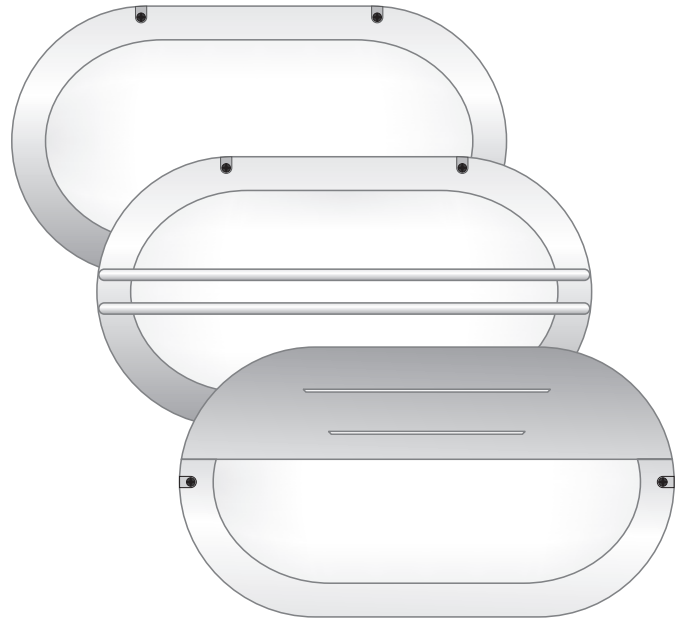
## GENERAL PRODUCT INFORMATION:

This product is suitable for wet locations.

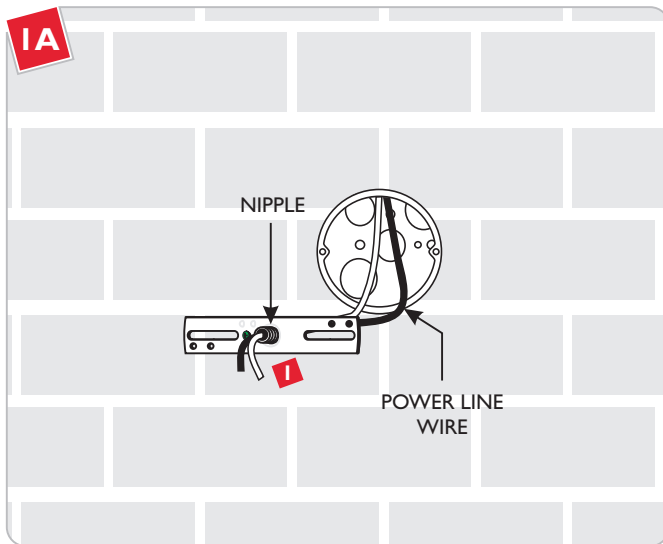
This instruction shows a typical installation.



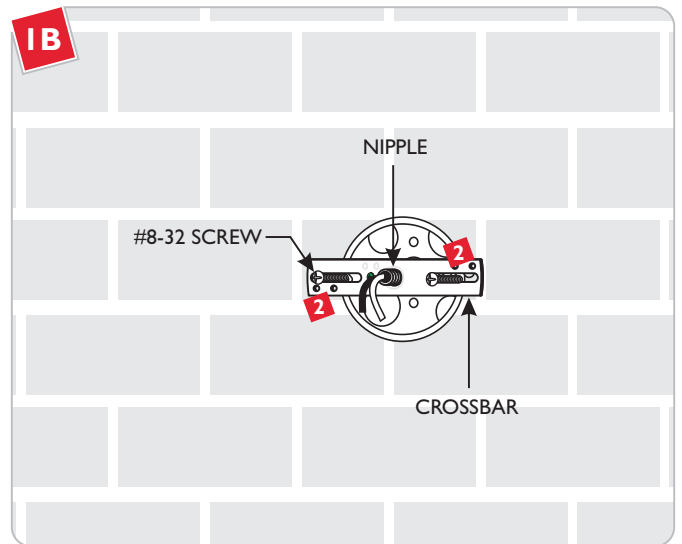
**CAUTION - RISK OF FIRE**  
This product requires installation by a qualified electrician. Before installing be sure to read all instructions and **DISCONNECT POWER TO THE ELECTRICAL BOX.**



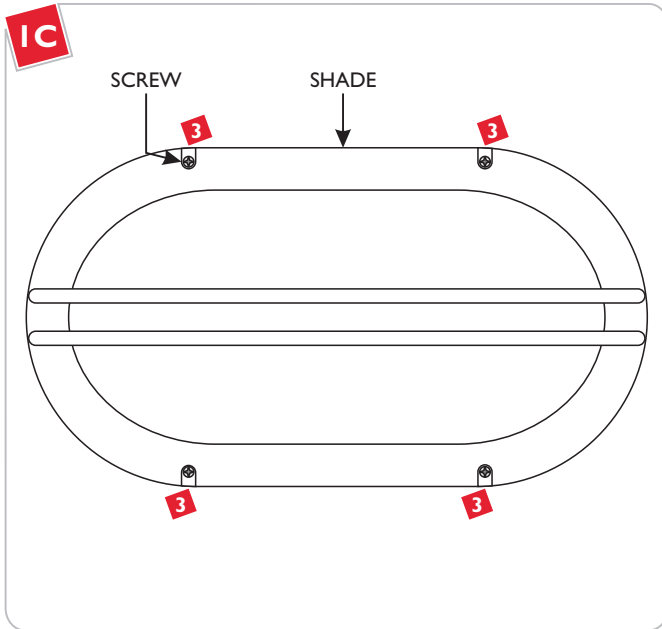
## Install the Fixture



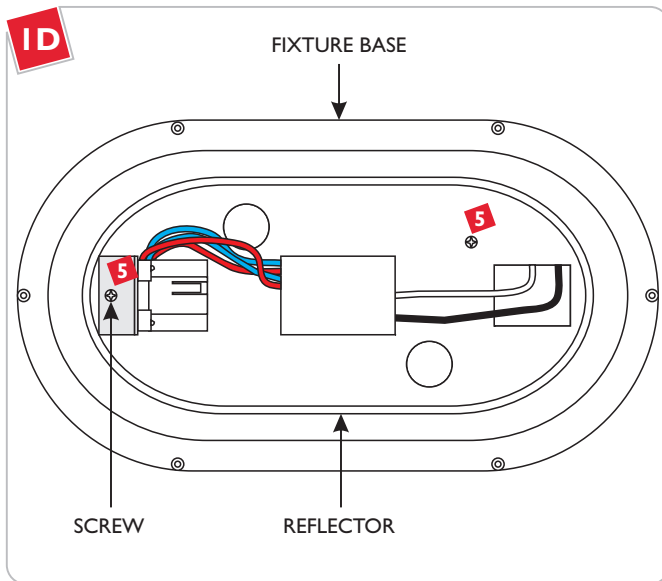
**1** Feed the power line wires through the crossbar nipple.



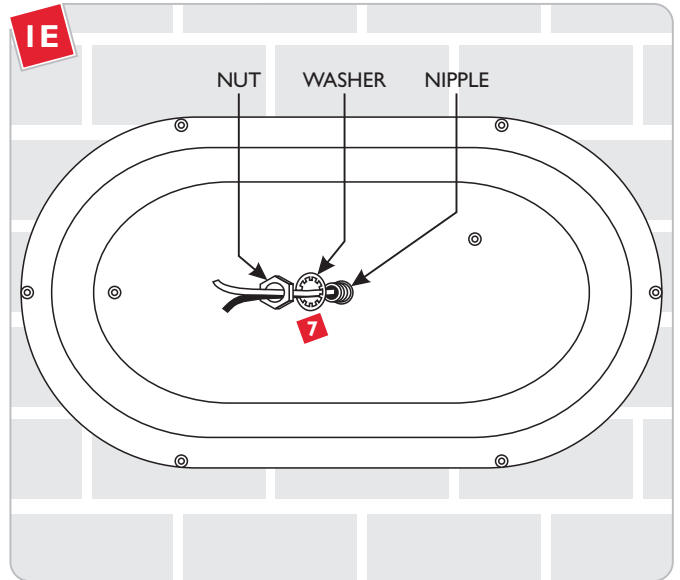
**2** Attach the crossbar to the electrical box using two #8-32 screws provided.



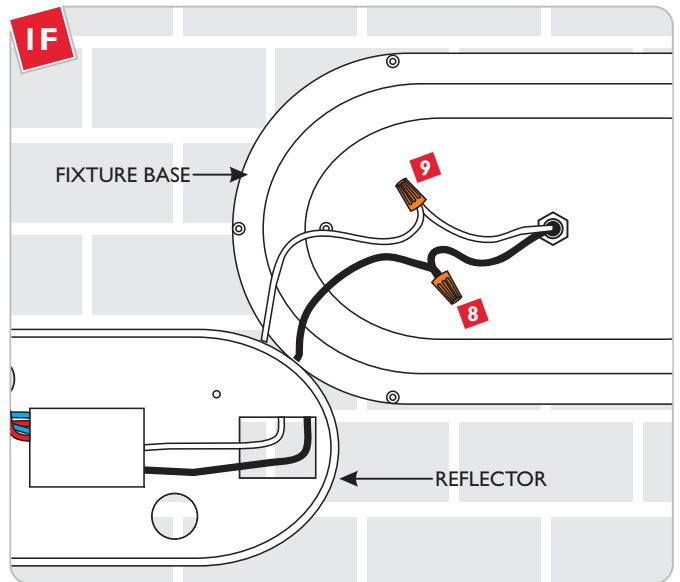
- 3** Remove all the screws from the front of the fixture.
- 4** Lift the shade off of the fixture.



- 5** Remove the two screws on the reflector.
- 6** Lift the reflector out of the fixture base.

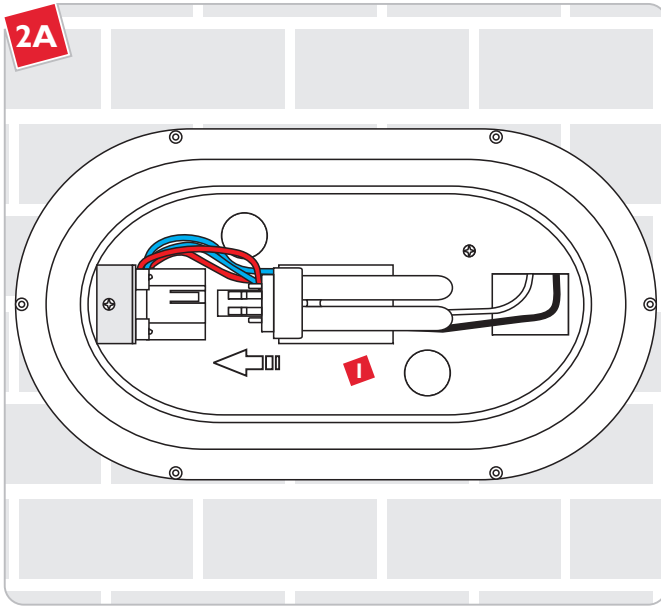


- 7** Make sure the fixture base is level, and secure it to the nipple with a lock washer and nut.




- 8** Connect the hot power line wire to the black fixture wire with a wire nut.
- 9** Connect the neutral power line wire to the white fixture wire with a wire nut.
- 10** Connect the fixture to a suitable ground according to local electrical codes.
- 11** Reattach the reflector to the fixture base.

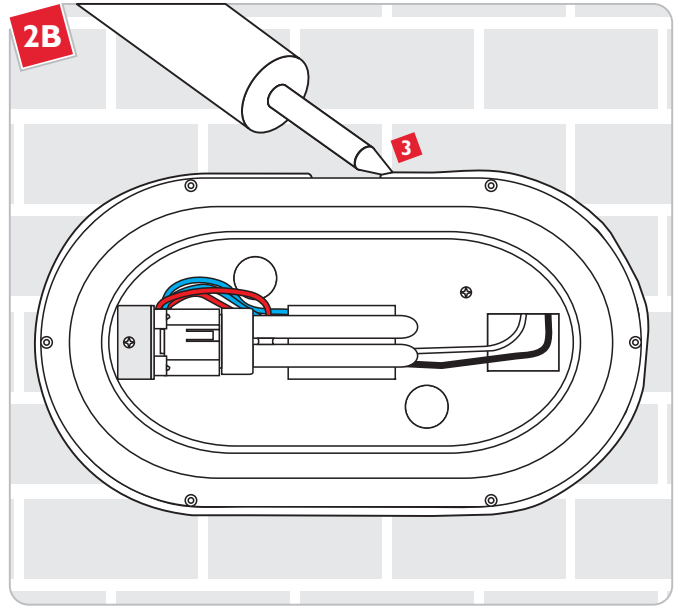
## Install the Lamp and Shade



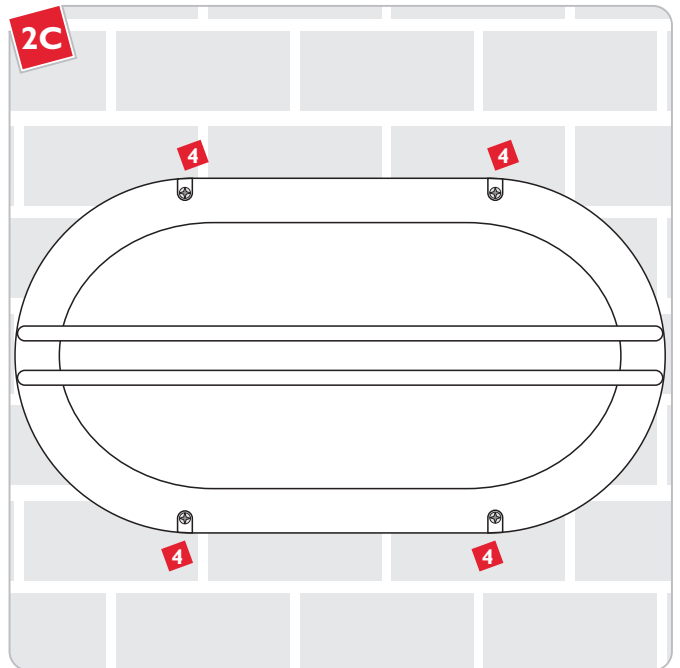
**CAUTION:** To reduce the risk of a burn or electric shock during relamping, disconnect the power to the fixture.

Use **MAX 13 Watt** Type Quad Tube G24Q-1 Base Compact Fluorescent Lamp. 

- 1** Screw the lamp completely into the socket.
- 2** Before continuing, turn on power to the fixture to verify all connections are good.



- 3** If installing in a wet location, caulk around the base with waterproof construction sealant.



- 4** Replace the shade and reattach the screws to secure the shade to the fixture.

**SAVE THESE INSTRUCTIONS!**



7400 Linder Ave, Skokie, IL 60077

800.323.3226 - 847.626.6300

[www.lblighting.com](http://www.lblighting.com)

© 2008 LBL Lighting. All rights reserved. The "LBL Lighting" graphic is a registered trademark of LBL Lighting. LBL Lighting reserves the right to change specifications for product improvements without notification.

A Generation Brands Company