

Batons

HS20612_FRSC

1.0



GENERAL PRODUCT INFORMATION:



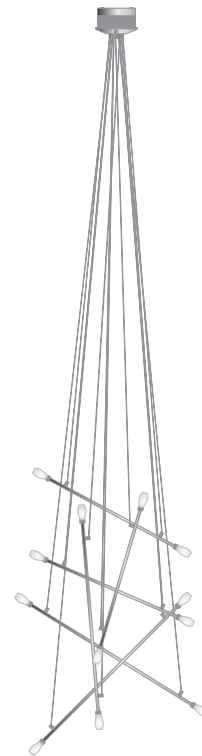
This product can mount to either a 4" square electrical box with round plaster ring or an octagon electrical box.

This product is suitable for indoor dry locations only.

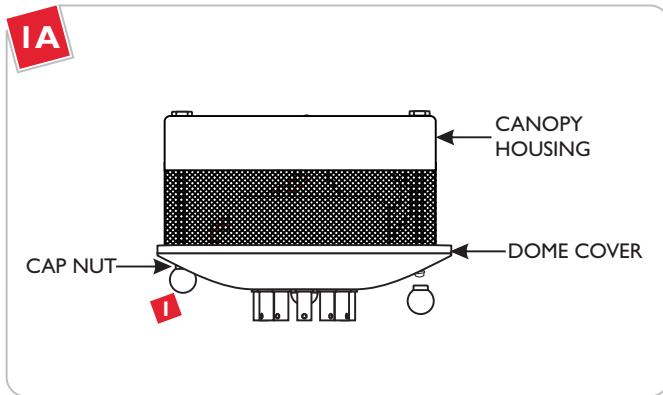
This product can be dimmed with an electronic dimmer.

Optional Heads GBIAM, GBIBU, GBIFR, GBIGR, GBIRD are the compatible accessories.

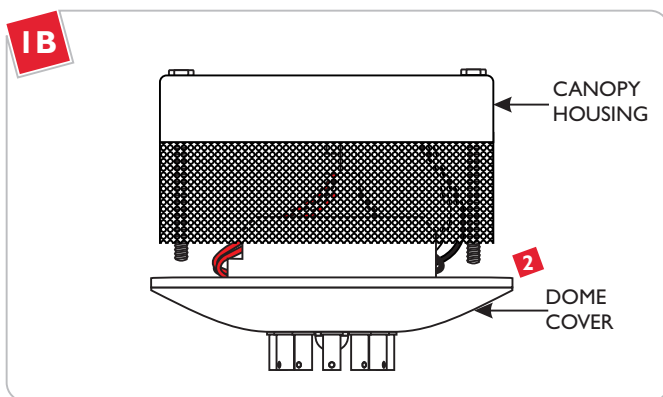
CAUTION - RISK OF FIRE
 This product requires installation by a qualified electrician. Before installing be sure to read all instructions and **TURN THE POWER TO THE ELECTRICAL BOX OFF.**



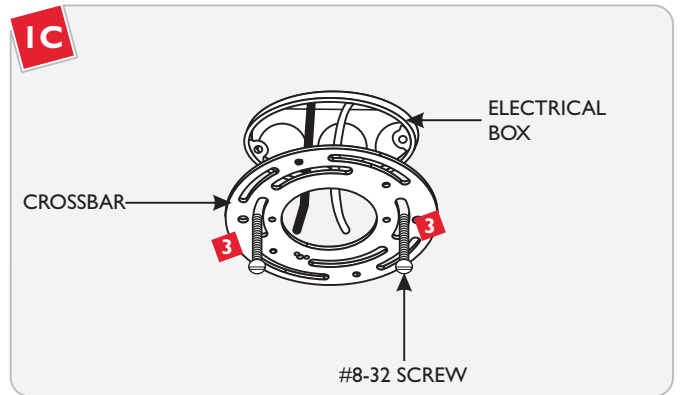
Install the Fixture



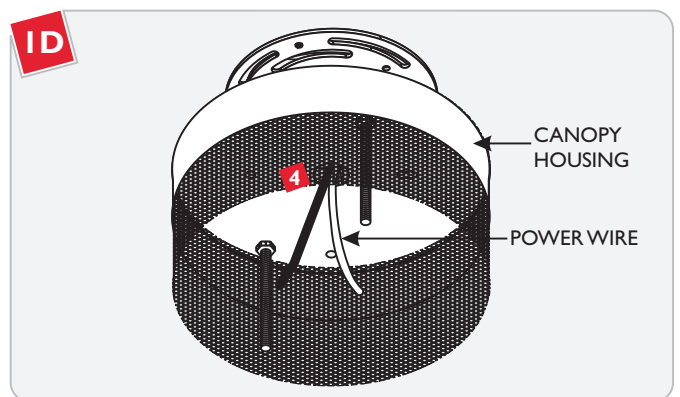
1 Remove the two cap nuts on the dome cover.



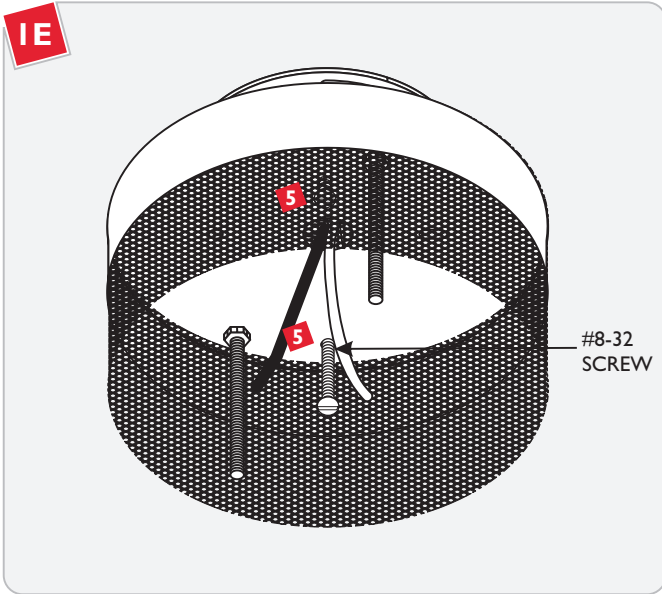
2 Remove the canopy housing from the dome cover.



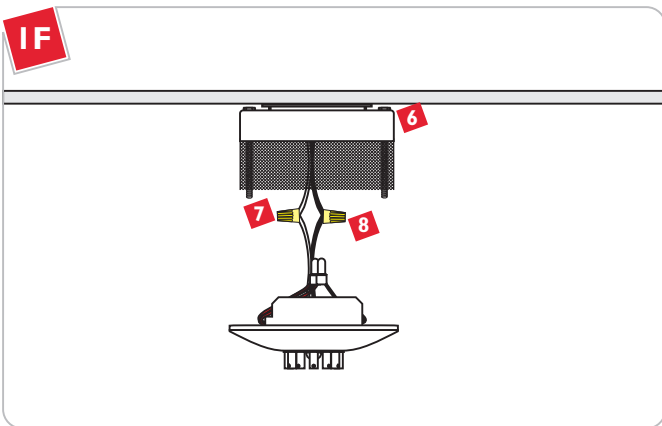
3 Mount the crossbar to the electrical box with the two #8-32 screws.



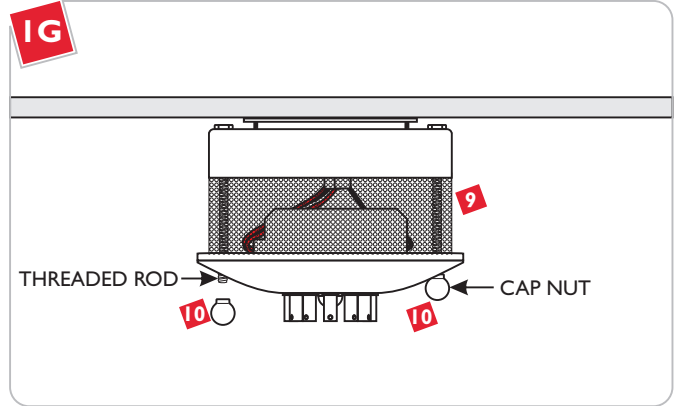
4 Feed the power wires through the canopy housing center hole.



- 5** Align the canopy housing holes to the crossbar threaded holes and completely tighten the two provided #8-32 screws to secure the canopy housing in place.

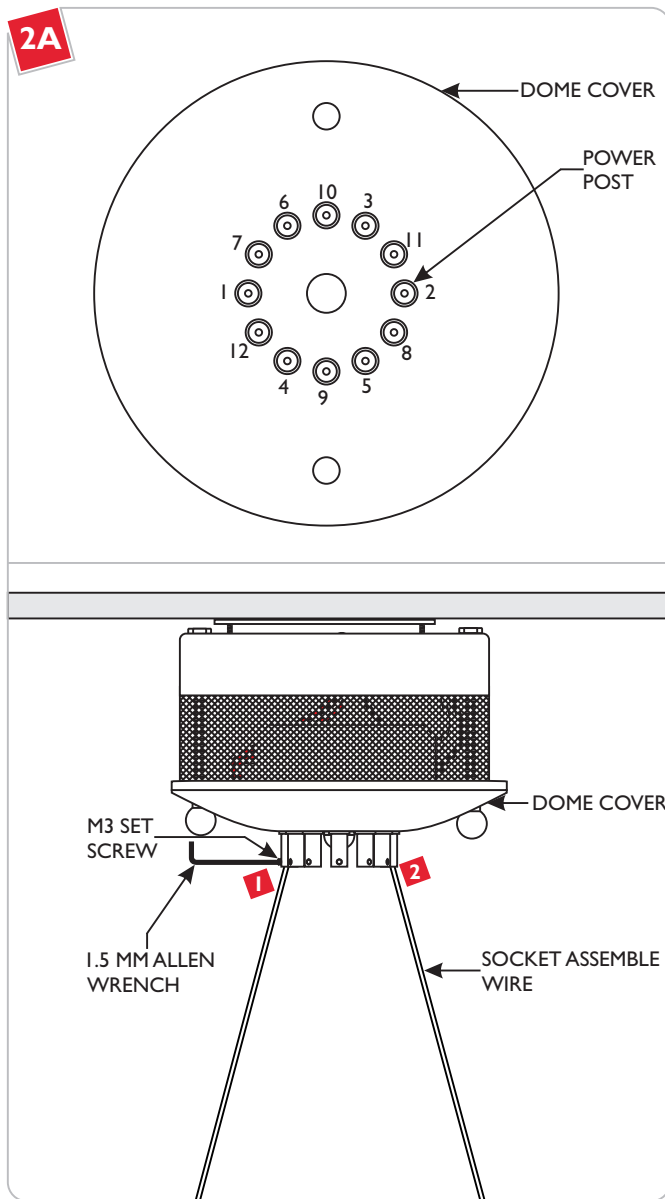


- 6** In accordance with local electrical codes, make sure that the canopy housing is grounded.
- 7** Connect the fixture white wire to the neutral power line wire with a wire nut.
- 8** Connect the fixture black wire to the hot power line wire with a wire nut.



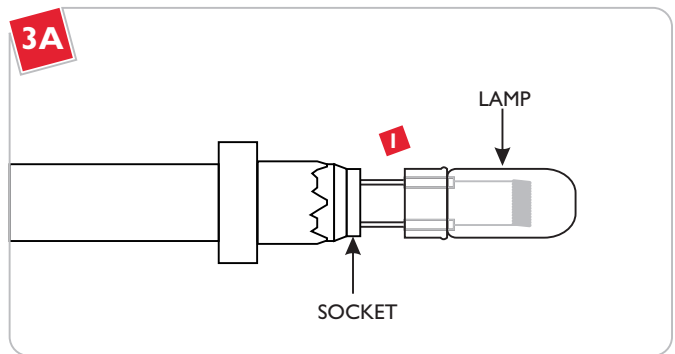
- 9** Place all wires and wire nut connections properly inside the canopy housing.
- 10** Slide the dome cover onto the threaded rods and secure it in place by tightening the cap nuts completely to the threaded rods.

Install the Fixture Arms



- 1** Starting with the socket assembly wires marked 1 and 2, insert the assembly wire marked 1 into the dome cover power post that is marked 1. Tighten the M3 set screw with the provided 1.5 MM Allen wrench to secure the wire in place.
- 2** While supporting the socket assembly, insert the wire marked 2 into the dome cover power post marked 2. Tighten the M3 set screw with the 1.5 MM Allen wrench to secure the socket assembly in place.
- 3** Repeat steps 1 and 2 to attach other socket assemblies in ascending order as marked on the wires.

Install the Lamp & Glass Shade



NOTE: Use only your fingers and a soft cloth to install the lamp.

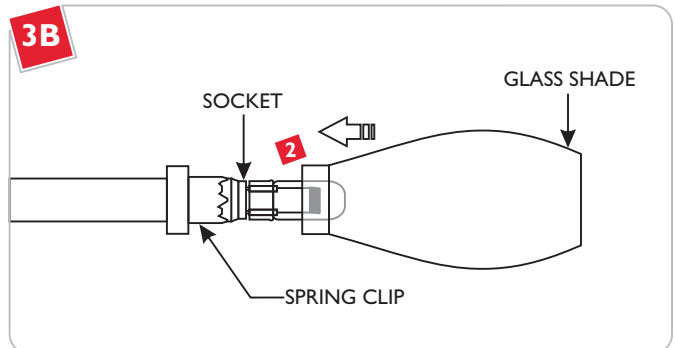
Use **MAX 10 Watt Bi-Pin Xenon (Xelogen)** Lamp With Each Socket.



- 1** For each socket, push the lamp pins completely into the socket holes.

WARNING: RISK OF FIRE

Never replace a Xenon (Xelogen) lamp with a regular Halogen lamp. A regular Halogen lamp requires a protective glass shield.



- 2** Push the glass shade completely onto the spring clip.

SAVE THESE INSTRUCTIONS!



7400 Linder Ave, Skokie, IL 60077

800.323.3226 - 847.626.6300

www.lblighting.com

© 2008 LBL Lighting. All rights reserved. The "LBL Lighting" graphic is a registered trademark of LBL Lighting. LBL Lighting reserves the right to change specifications for product improvements without notification.

A Generation Brands Company