

Ambra

HS399AM_2J150

1.0



GENERAL PRODUCT INFORMATION:



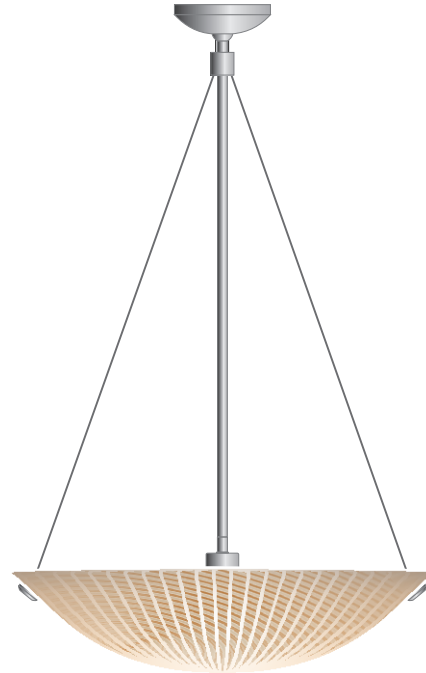
This product can mount to either a 4" square electrical box with round plaster ring or an octagon electrical box.

This product is suitable for indoor dry locations only.

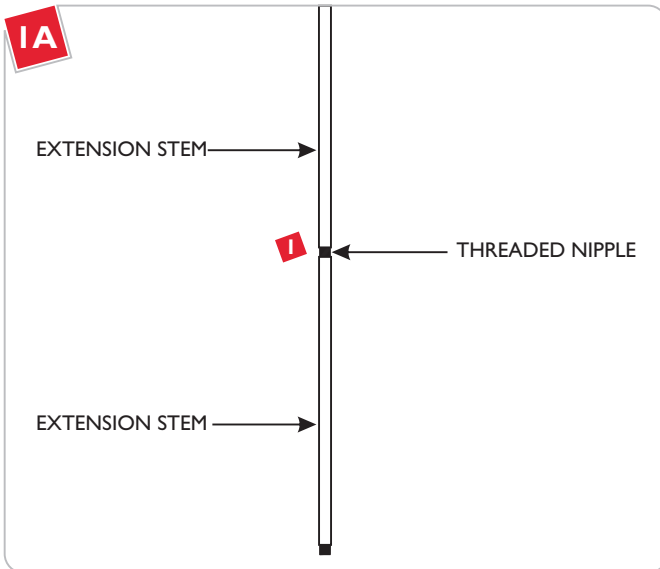
This product can be dimmed with a standard incandescent dimmer.

CAUTION - RISK OF FIRE

This product requires installation by a qualified electrician. Before installing be sure to read all instructions and **TURN THE POWER TO THE ELECTRICAL BOX OFF.**

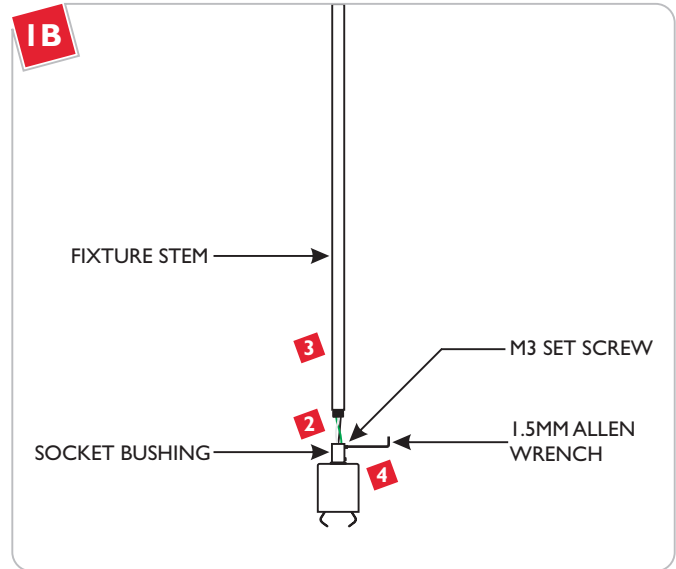


Adjust the Fixture Height

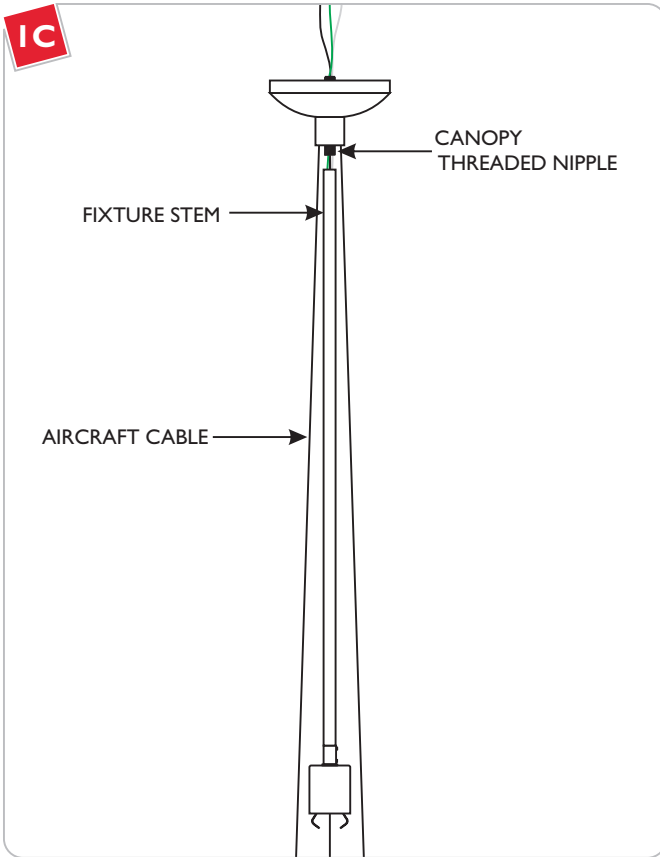


NOTE: Use a 24" stem for the minimum 32" overall height. To extend the fixture height to 44", or 56", or 68", use the additional 12", or 24", or combination of 12" and 24" provided extension stems respectively. The extension stems are not field cuttable.

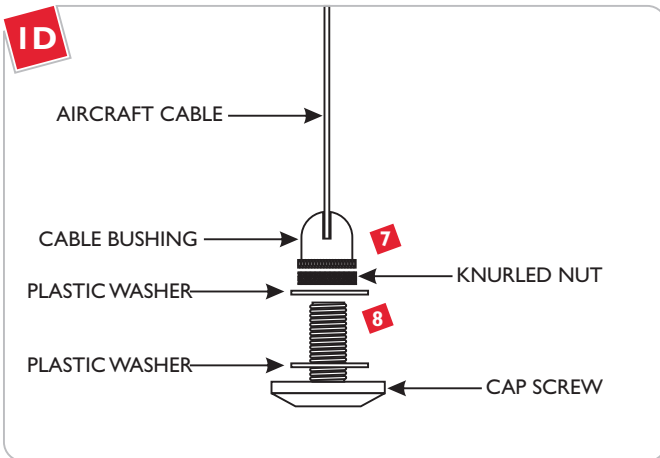
1 Optional - To combine the fixture extension stems, simply tighten one extension stem threaded nipple completely to the back of the other extension stem.



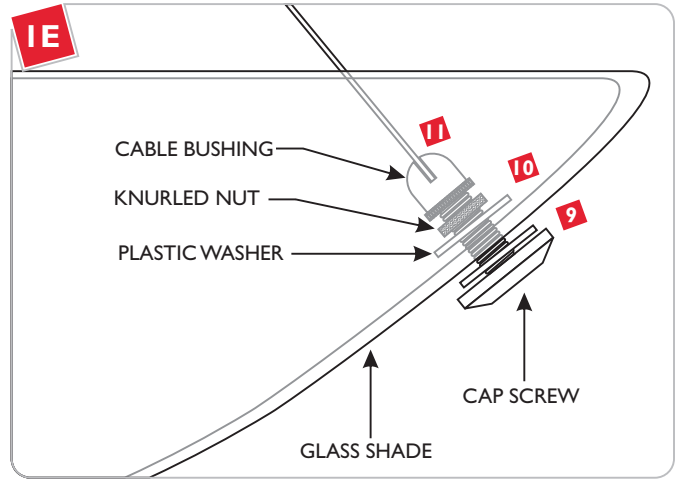
- 2** Feed the fixture wires through the exposed threaded nipple of the fixture stem. Slide the fixture stem down the cord.
- 3** On the socket bushing, loosen (**Do Not Remove**) the top M3 set screw with the provided 1.5MM Allen wrench.
- 4** Screw the fixture stem completely to the socket bushing and tighten the top M3 set screw with the 1.5MM Allen wrench.



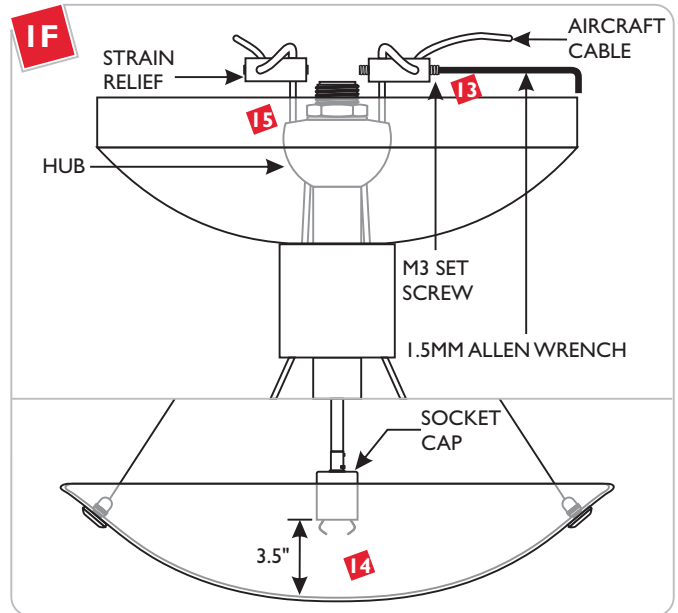
- 5 Feed the fixture wires coming out of the fixture stem through the canopy threaded nipple.
- 6 Tighten the fixture stem completely to the canopy threaded nipple. Make sure that the aircraft cables do not get tangled up.



- 7 Remove the cap screw from the cable bushing.
- 8 Remove the knurled nut and one of the plastic washers from the cap screw.



- 9 From outside of the glass shade, insert the cap screw through one glass shade hole.
- 10 Place the second plastic washer onto the cap screw and finger tighten the knurled nut to secure the cap screw in place.
- 11 Screw the cable bushing completely to the cap screw.
- 12 Repeat steps 7 through 11 for the remaining glass shade holes.

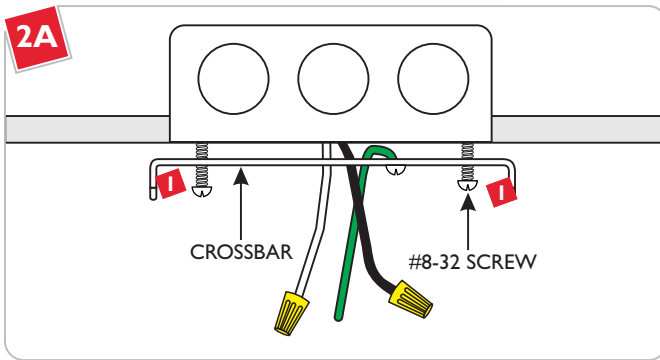


- 13 For each strain relief, loosen (**Do Not Remove**) the M3 set screws with the provided 1.5MM Allen wrench.
- 14 Mark the aircraft cables so that there is at least 3.5" space between bottom of the socket cap and the inside glass shade.
- 15 Adjust the marked aircraft cables in the strain relief and make sure that the strain relief sits against the hub; tighten the two M3 set screws with the 1.5MM Allen wrench.

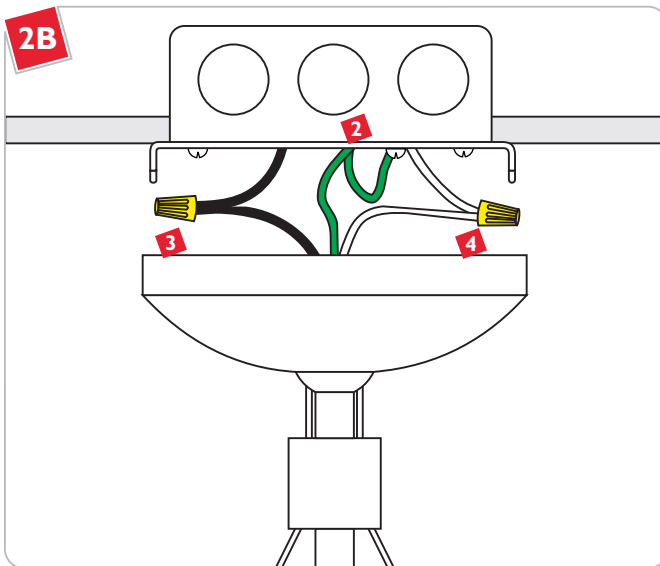
CAUTION: These set screws must be very tight to secure the glass in place. Failure to do so may cause the glass shade to fall.

- 16 For a nice and neat look, trim off excess aircraft cables coming out of the strain reliefs.

Install the Fixture

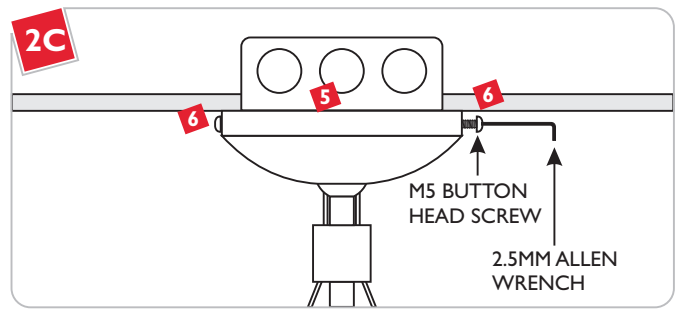


- 1 Mount the crossbar to the electrical box with the provided two #8-32 screws.



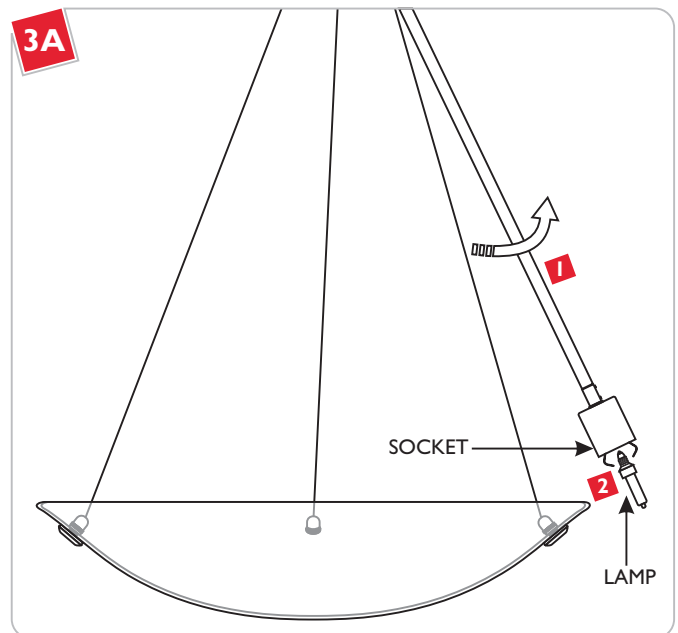
NOTE: To ease the installation, it is recommended to remove the glass shade by unscrewing the cable bushings (refer to drawing 1E).

- 2 Connect the fixture bare wire and the crossbar green wire to the ground in accordance with local electrical codes.
- 3 Connect the fixture black wire to the hot power line wire with a wire nut.
- 4 Connect the fixture white wire to the neutral power line wire with a wire nut.



- 5 Place all wire and wire nut connections inside the electrical box.
- 6 Align the canopy holes with the crossbar holes. Secure the canopy in place by tightening the two M5 button head screws with the provided 2.5MM Allen wrench.
- 7 Tighten the three aircraft cable bushings to the glass shade cap screws (refer to step 11 and figure 1E on page 2).

Install the Lamp



CAUTION: To reduce the risk of a burn or electric shock during relamping, disconnect the power to the fixture.

NOTE: Use only your fingers and a soft cloth to replace the lamp.

Use **MAX** 120 Volt, **150** Watt Type E11 Base Mini Candelabra Lamp.



- 1 Carefully swing the socket assembly out of the glass shade.
- 2 Screw the lamp completely into the socket.

IMPORTANT SAFETY INSTRUCTIONS

To reduce the risk of fire, electrical shock, exposure to excessive UV radiation, or injury to person:

- Use this fixture indoors only.
- Do not look directly at the lighted lamp.
- Do not remain in light if skin feels warm.
- Risk of fire: Use only the type of lamp and maximum wattage indicated in this instruction manual.
- Never cover the halogen lamp with anything other than a LBL Lighting lamp shield and never place flammable material close to your fixture.
- Never turn the fixture on and off by connecting and disconnecting the halogen lamp.
- Do not touch the fixture shades or lamp shield while the fixture is on. These surfaces may be HOT.

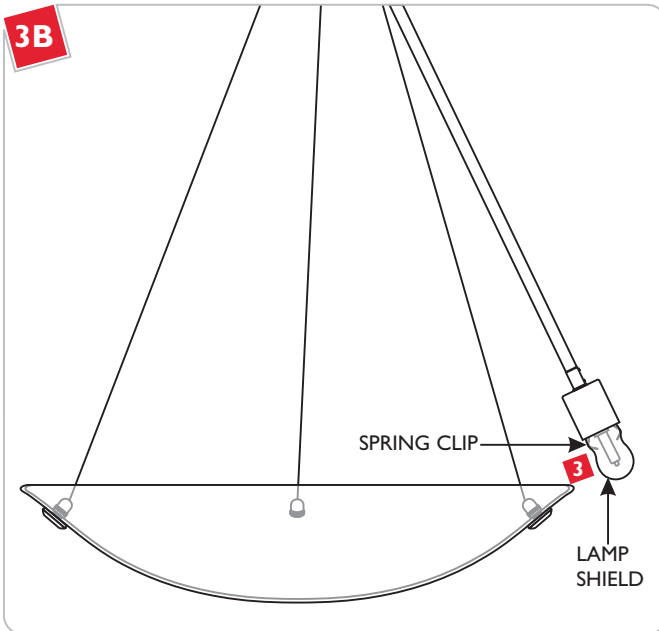
Halogen Lamp General Information

- A new halogen lamp may smoke slightly when it is used for the first time. This is perfectly normal; the protective coating is simply being vaporized.

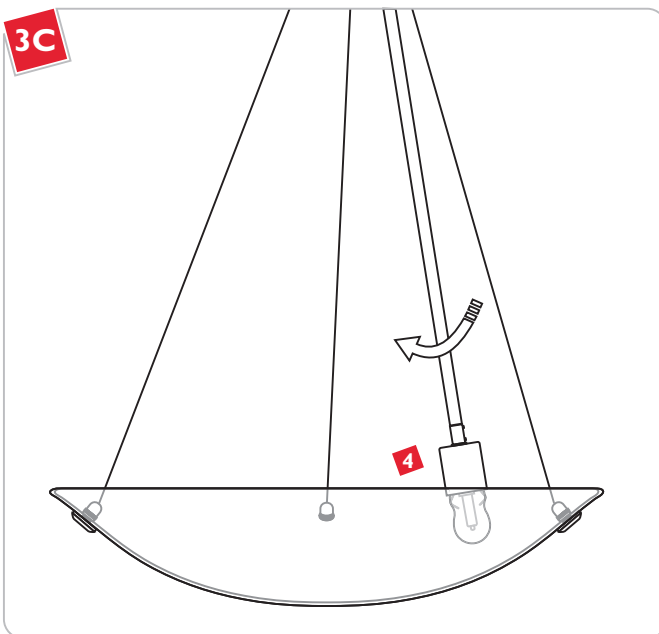
Two Tips For Prolonging Halogen Lamp Life

- First avoid touching the lamp with bare hands during installation. Any contaminant, even the oil from your hands can deteriorate the lamp. Rubbing alcohol can be used to remove any contaminant.
- Second, do not run the lamps at full power when you do not need to. However, if dimming the fixture for an extended period of time, occasionally bring the light up to full brightness for a few minutes to complete the halogen cycle.

SAVE THESE INSTRUCTIONS!



3 Push the lamp shield completely onto the socket spring clips.



4 Carefully swing the socket assembly back into the glass shade.

 **LBL Lighting**

7400 Linder Ave, Skokie, IL 60077
800.323.3226 - 847.626.6300

www.lblighting.com

© 2008 LBL Lighting. All rights reserved. The "LBL Lighting" graphic is a registered trademark of LBL Lighting. LBL Lighting reserves the right to change specifications for product improvements without notification.

A Generation Brands Company