

Casino Two Wall

HW3102_2H50

I.3



Wall Sconces

GENERAL PRODUCT INFORMATION:



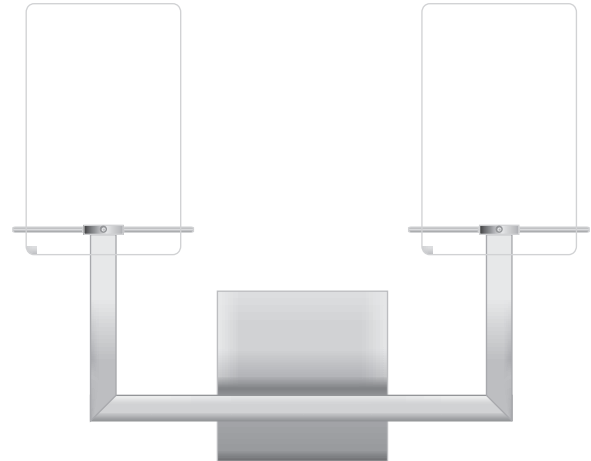
This product can mount to either a 4" square electrical box with round plaster ring or an octagon electrical box.

This product is suitable for indoor dry locations only.

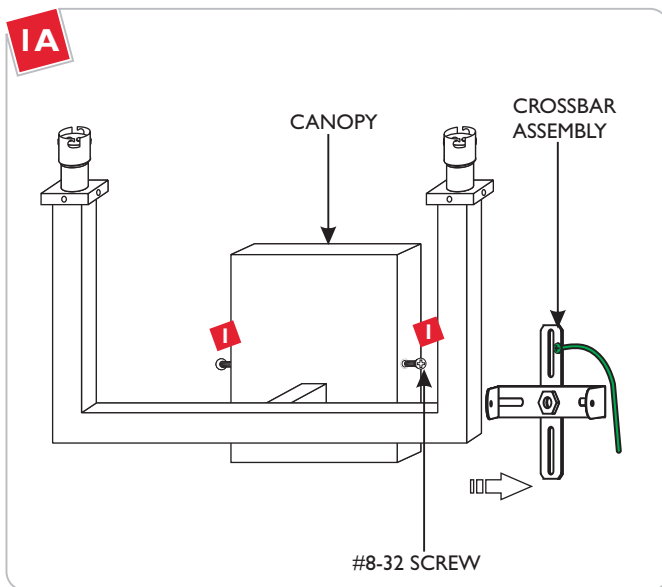
This product can be dimmed with a standard incandescent dimmer.

CAUTION - RISK OF FIRE

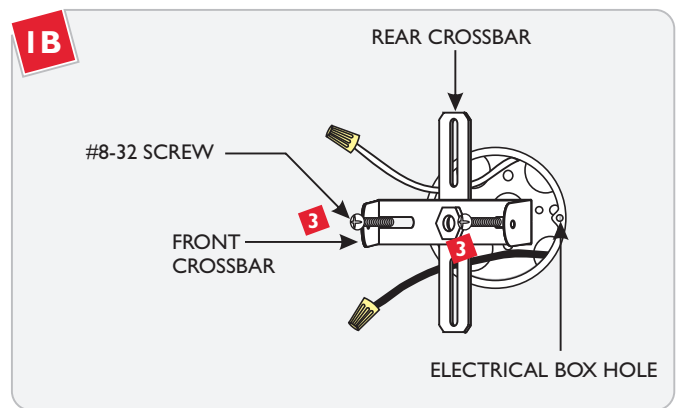
This product requires installation by a qualified electrician. Before installing be sure to read all instructions and **TURN THE POWER TO THE ELECTRICAL BOX OFF.**



Install the Fixture

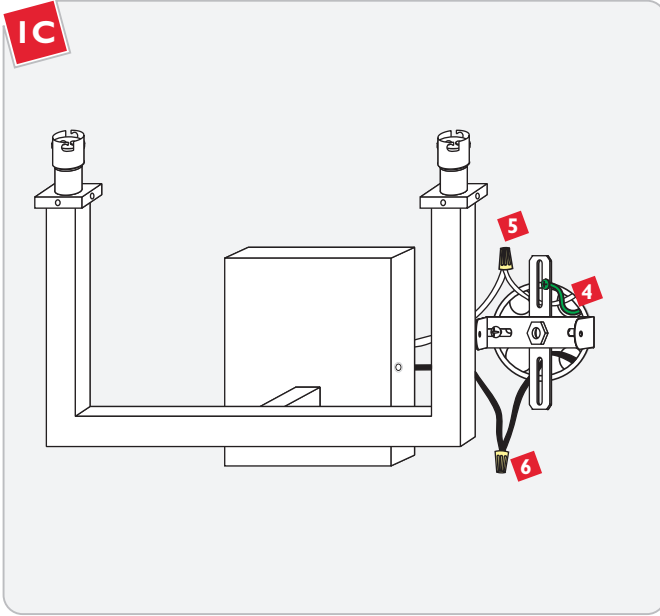


- 1** Remove the two #8-32 Phillips head screws on side of the canopy.
- 2** Remove the crossbar assembly.

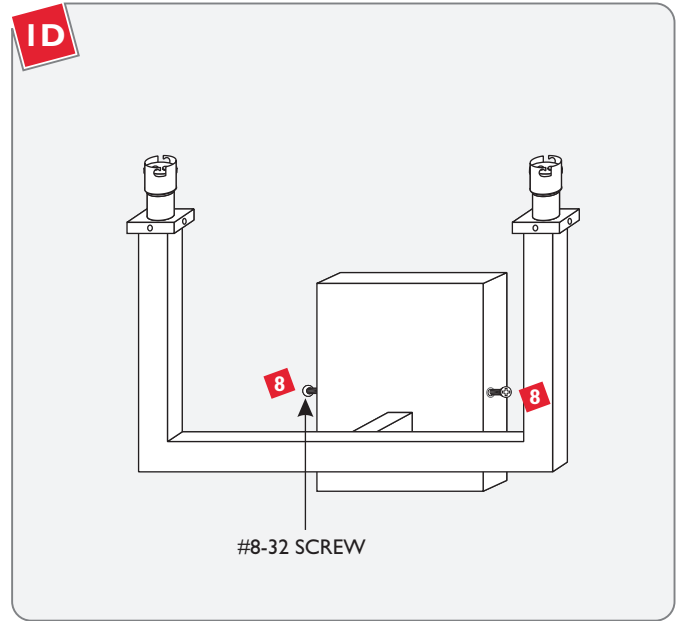


NOTE: To mount the crossbar assembly, use the front crossbar, with the electrical box containing a plaster ring, or use the rear crossbar, with the octagon electrical box.

- 3** Mount the crossbar assembly to the electrical box holes with the two #8-32 screws provided.

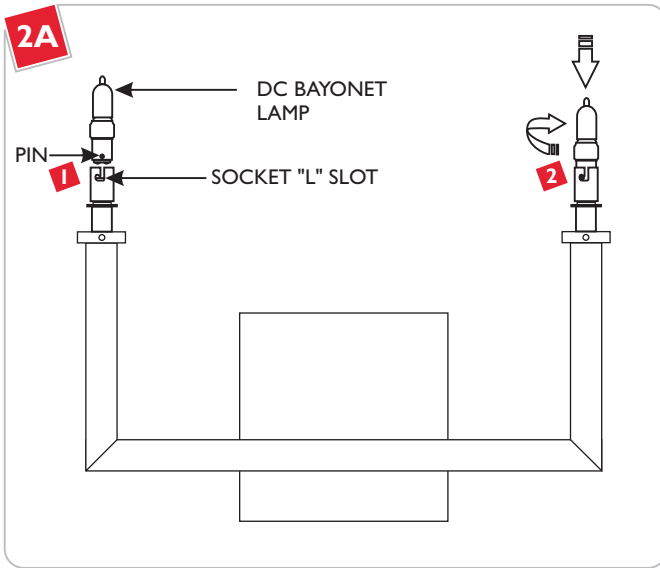


- 4** In accordance with local electrical codes, make sure that the crossbar assembly is grounded.
- 5** Connect the fixture white wire to the neutral power line wire with a wire nut.
- 6** Connect the fixture black wire to the hot power line wire with a wire nut.



- 7** Place all wires and wire nut connections properly inside the electrical box.
- 8** Place the fixture canopy onto the crossbar assembly. Level the fixture vertically; replace and tighten the two #8-32 Phillips head screws.

Install the Lamp & Shade



NOTE: Use only your fingers and a soft cloth to install the lamp.

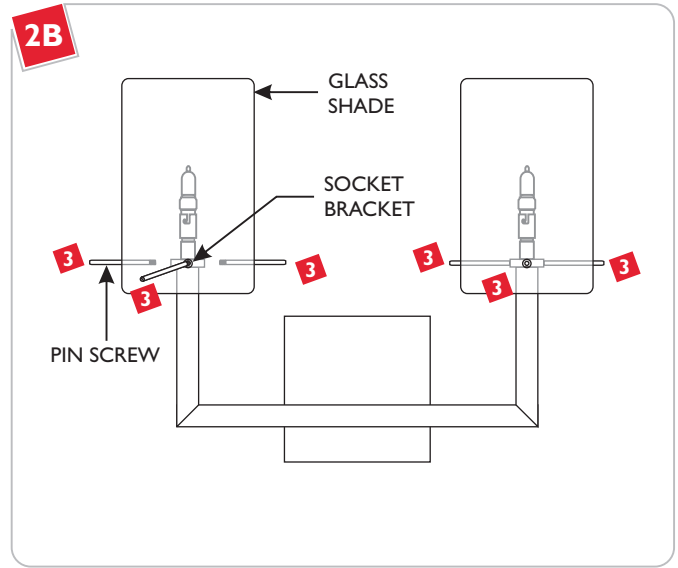
Use **MAX** 120 Volt, **50** Watt Type DC Bayonet, BA15d Base, Xenon (Xelogen) Lamp With Each Socket.



- 1 For each socket, align the pins on the DC Bayonet lamp with the socket "L" slots.
- 2 Push the lamp completely into the socket and rotate it clockwise to lock it in place.

WARNING: RISK OF FIRE

Never replace a Xenon (Xelogen) lamp with a regular Halogen lamp. A regular Halogen lamp requires a protective glass shield.



- 3 Align the glass shade holes with the socket bracket holes and tighten the four pin screws to secure the glass shade in place.

SAVE THESE INSTRUCTIONS!



7400 Linder Ave, Skokie, IL 60077

800.323.3226 - 847.626.6300

www.lblighting.com

© 2008 LBL Lighting. All rights reserved. The "LBL Lighting" graphic is a registered trademark of LBL Lighting. LBL Lighting reserves the right to change specifications for product improvements without notification.

A Generation Brands Company