

Linear Compact Fluorescent Wall

PW5497_PLI3

I.4



GENERAL PRODUCT INFORMATION:



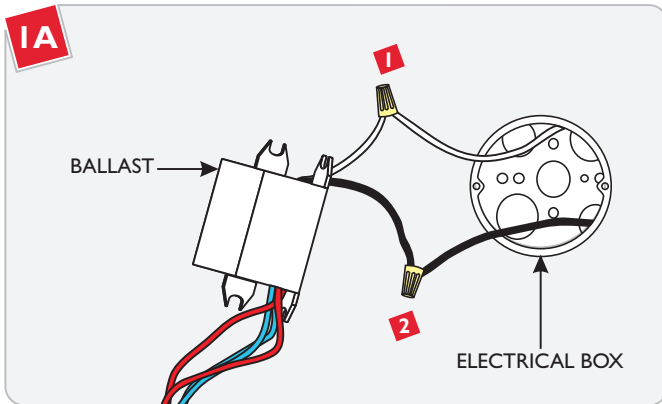
This product can mount to either a 4" square electrical box with round plaster ring or an octagon electrical box.

This product is suitable for damp locations.

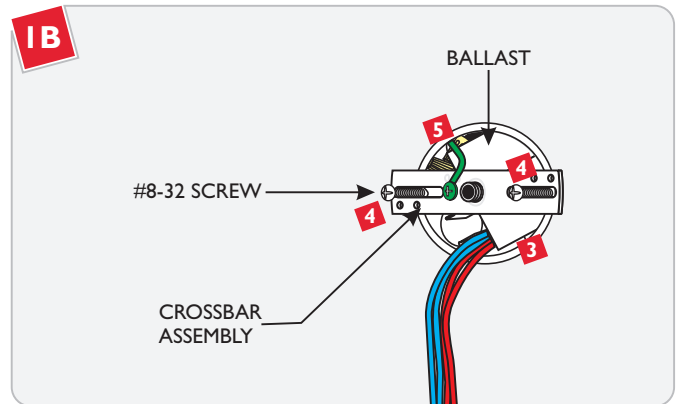


CAUTION - RISK OF FIRE
This product requires installation by a qualified electrician. Before installing be sure to read all instructions and **DISCONNECT POWER TO THE ELECTRICAL BOX.**

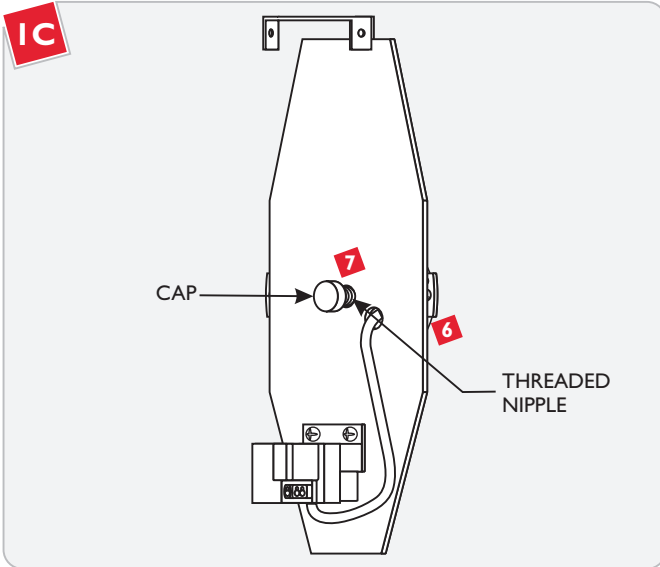
Install the Fixture



- 1** Connect the white ballast wire to the neutral power line wire with a wire nut.
- 2** Connect the black ballast wire to the hot power line wire with a wire nut.

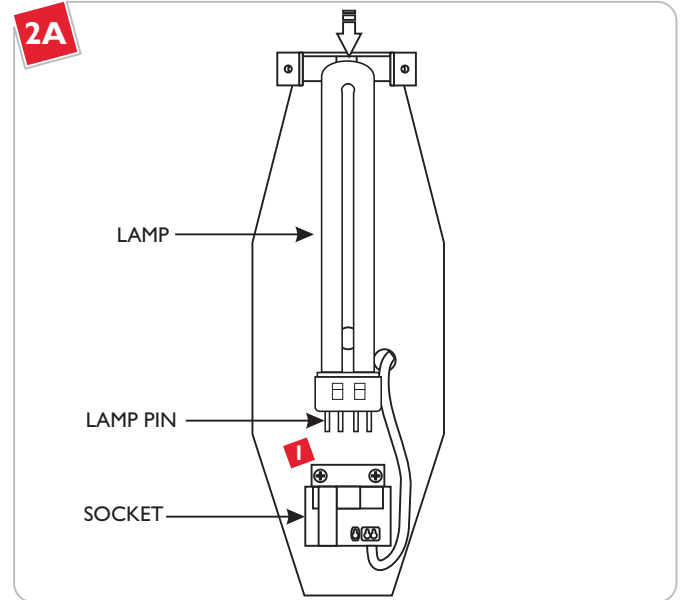


- 3** Place the ballast inside the electrical box.
- 4** Mount the crossbar assembly to the electrical box holes with the two #8-32 screws provided.
- 5** Connect the crossbar to a suitable ground in accordance with local electrical codes.



- 6** Place all wires and wire nut connections properly inside the electrical box.
- 7** Slide the mounting plate center hole onto the exposed threaded nipple. Secure the mounting plate in place by tightening the cap to threaded nipple.

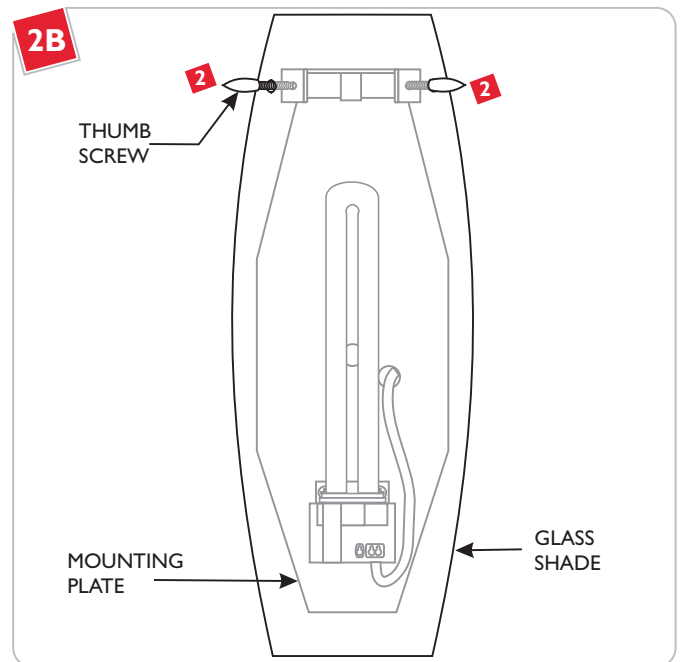
Install the Lamp & Shade



Use **MAX 13** Watt Twin Tube
2GX7 Base Compact Fluorescent Lamp.



- 1** Push the lamp pins completely into the socket holes.



NOTE: Do not over tighten the thumb screws.
Overtightening may break the glass and result in injury.

- 2** Place the glass shade onto the mounting plate. Align the glass shade holes with the mounting plate holes and tighten (**Do Not Over Tighten**) the thumb screws to secure the glass shade in place.

SAVE THESE INSTRUCTIONS!

LBL Lighting

7400 Linder Ave, Skokie, IL 60077
800.323.3226 - 847.626.6300

www.lblighting.com

© 2008 LBL Lighting. All rights reserved. The "LBL Lighting" graphic is a registered trademark of LBL Lighting. LBL Lighting reserves the right to change specifications for product improvements without notification.
A Generation Brands Company