

Top Compact Fluorescent Wall II

PW240OP_13QNM 1.2



Wall Sconces

GENERAL PRODUCT INFORMATION:

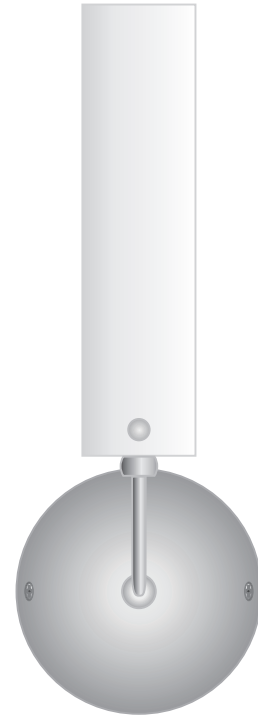


This product can mount to either a 4" square electrical box with round plaster ring or an octagon electrical box.

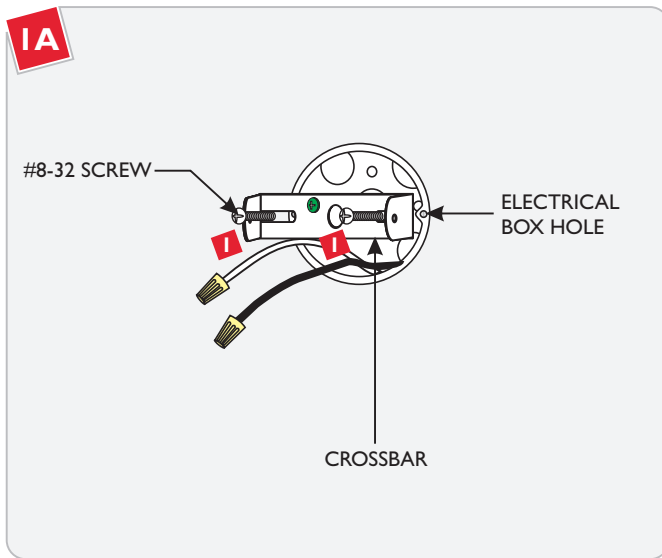
This product is suitable for indoor dry locations only.

CAUTION - RISK OF FIRE

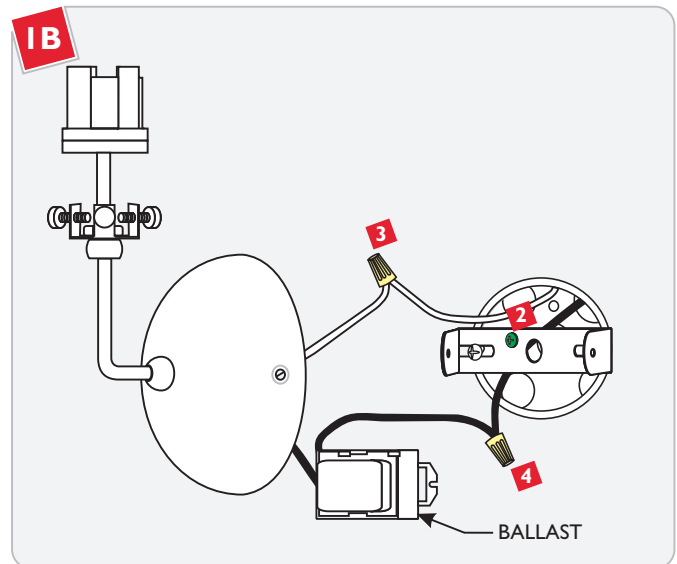
This product requires installation by a qualified electrician. Before installing be sure to read all instructions and **TURN THE POWER TO THE ELECTRICAL BOX OFF.**



Install the Fixture



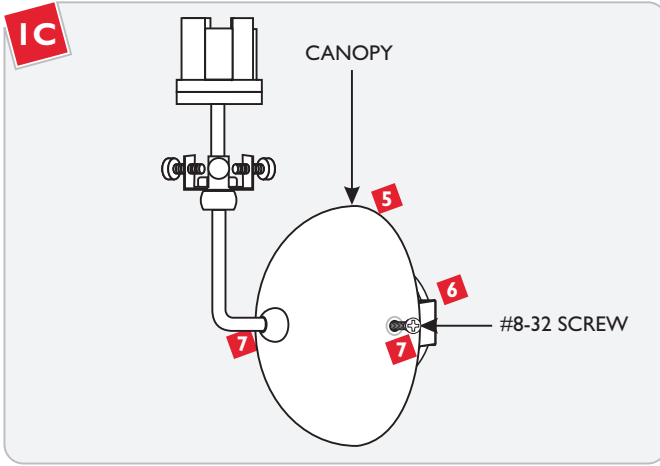
1 Mount the crossbar to the electrical box holes with the two #8-32 screws provided.



2 In accordance with local electrical codes, make sure that the crossbar is grounded.

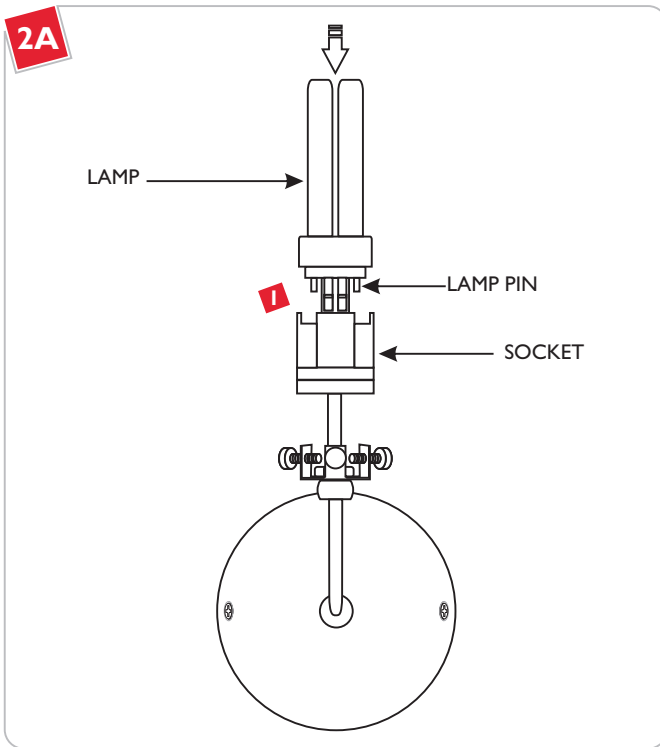
3 Connect the fixture white wire to the neutral power line wire with a wire nut.


4 Connect the ballast black wire to the hot power line wire with a wire nut.



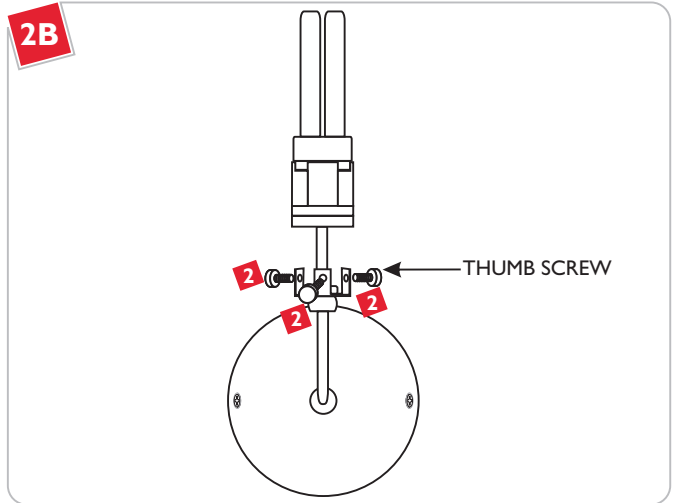
- 5** Place the ballast properly inside the canopy.
- 6** Place all wires and wire nut connections properly inside the electrical box.
- 7** Place the fixture canopy onto the crossbar assembly. Level the fixture vertically; replace and tighten the two #8-32 Phillips head screws.

Install the Lamp & Shade

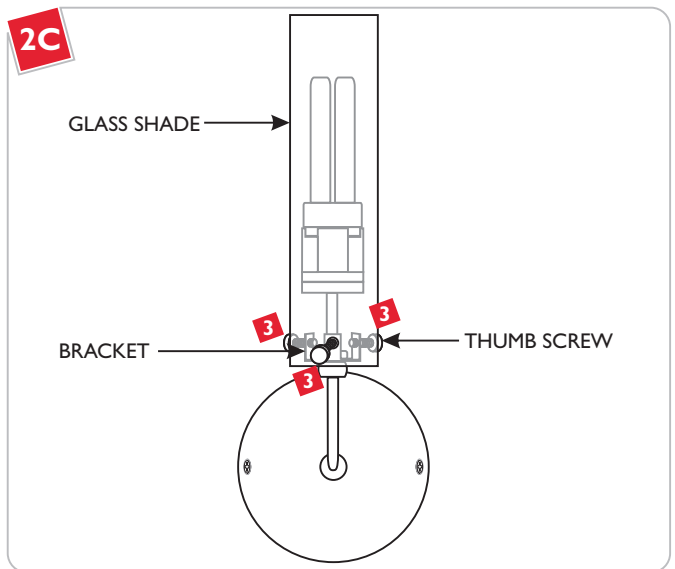


Use **MAX 13** Watt Type Quad Tube GX23-2 Base Compact Fluorescent Lamp. 

- 1** Push the lamp pins completely into the socket holes.



- 2** Remove the three thumb screw.



- 3** Align the glass holes with the bracket holes. Replace and tighten the three thumb screws to secure the glass shade in place.

NOTE: To replace the lamp:

- Turn the power to the fixture off.
- While supporting the glass shade, remove the three thumb screws.
- Remove the old lamp.
- Follow 1 through 3 on this page.

SAVE THESE INSTRUCTIONS!

 **LBL Lighting**

7400 Linder Ave, Skokie, IL 60077
800.323.3226 - 847.626.6300

www.lblighting.com

© 2008 LBL Lighting. All rights reserved. The "LBL Lighting" graphic is a registered trademark of LBL Lighting. LBL Lighting reserves the right to change specifications for product improvements without notification.
A Generation Brands Company