

IMPORTANT! READ AND FOLLOW THESE INSTRUCTIONS CAREFULLY AND KEEP FOR FUTURE REFERENCE

If you sell or give away this product,
make sure you give this instruction to the new owner.

This safety gate complies with EN1930:2011

F160/F190 fits openings 71-82cm (28-32in).



WARNING

WARNING - Incorrect installation can be dangerous;

WARNING - Do not use the safety barrier if any components are damaged or missing;

WARNING - The safety barrier must not be fitted across windows;

WARNING - Never use without mounting cups;

This safety barrier is for domestic use only;

This safety barrier is suitable for use with children up to 24 months of age;

Never use with a child able to climb or dislodge/open gate;

The surfaces that the gate is to be fixed to must be suitable for the purpose and must be structurally sound;

If the barrier is to be used at the top of the stairs, it should not be positioned below top level;

If the safety barrier is used at the bottom of the stairs, it should be positioned at the front of the lowest tread possible;

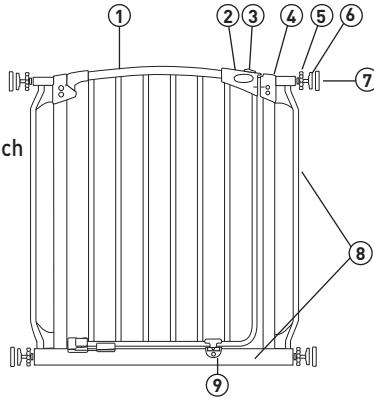
This gate has an automatic close system;

This gate is intended for indoor use and is not to be exposed to outdoor elements;

Install this gate away from heaters and other sources of heat.

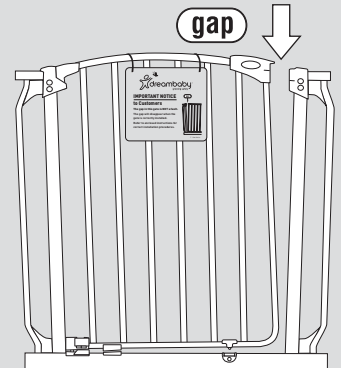
PARTS LIST

- ① Gate Panel
- ② Upper Locking Set
- ③ Release Switch with Latch
- ④ Right Upper Corner
- ⑤ Tension Knobs
- ⑥ Bolts with Rubber Pads
- ⑦ Mounting Cups
- ⑧ Gate Frame
- ⑨ Lower Locking Set



NOTICE TO CUSTOMERS

THE GAP IN THIS GATE IS NOT A FAULT. THE GAP WILL DISAPPEAR WHEN THE GATE IS CORRECTLY INSTALLED. PLEASE INSTALL GATE ACCORDING TO MANUFACTURER'S INSTRUCTIONS.

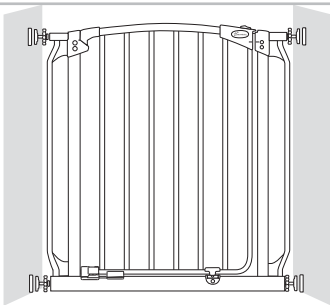


WARNING: This package contains small parts and sharp points in an unassembled state. Keep out of reach of children. Adult assembly required.

INSTALLATION

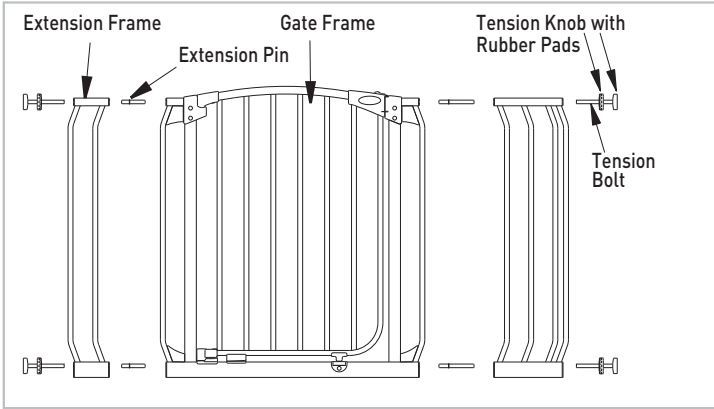
1. Measure the width of the opening of where you intend to install the gate. Ensure the surface that you are mounting the gate is structurally sound such as solid timber, brick or masonry. For plaster/gyprock surface, locate the timber beam or stud behind and mount in this location (mounting on plaster/gyprock alone is not strong enough and not safe). Do not mount to glass. For openings over 82cm (32in) select the appropriate Gate Extension(s).

1A

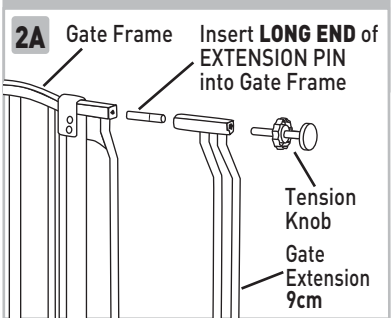
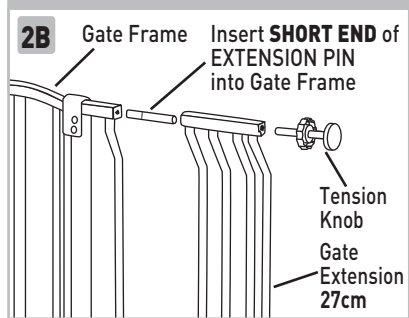


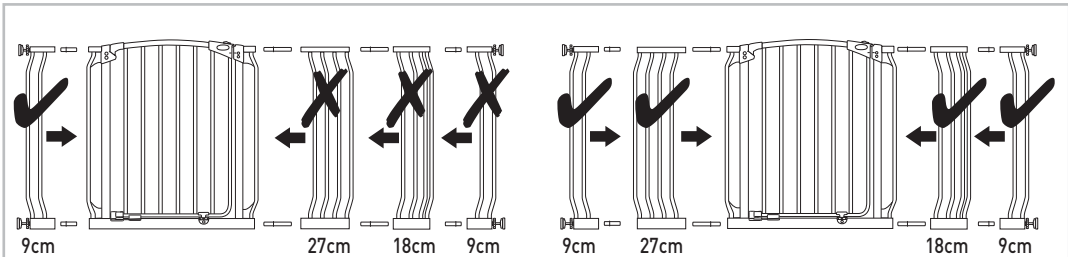
71 - 82cm (28.3 - 32in)

2. To use with Gate Extensions.



Insert Extension pins into the holes on the outside of the Gate Frame (2A / 2B).
 Next, slip Extension Frames over the Pins.
 Finally, slide the Tension Knobs and Bolts with Rubber Pads.

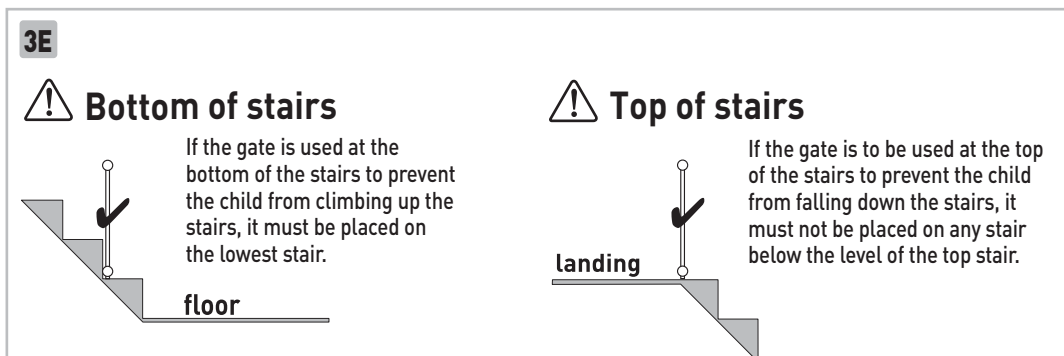
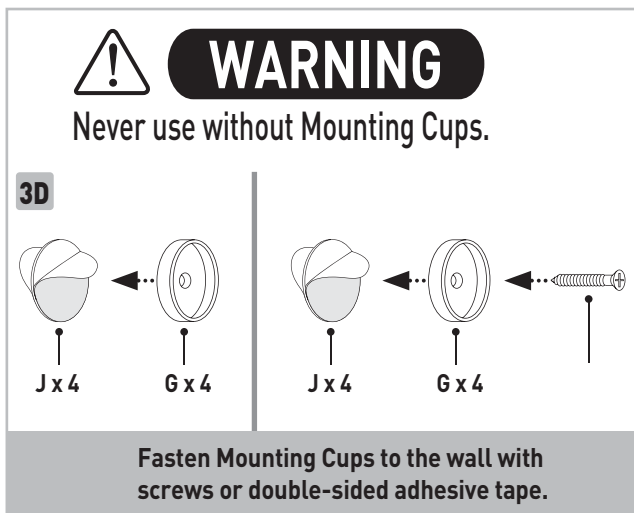
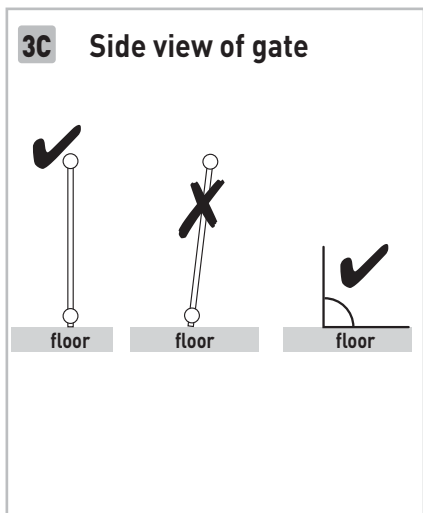
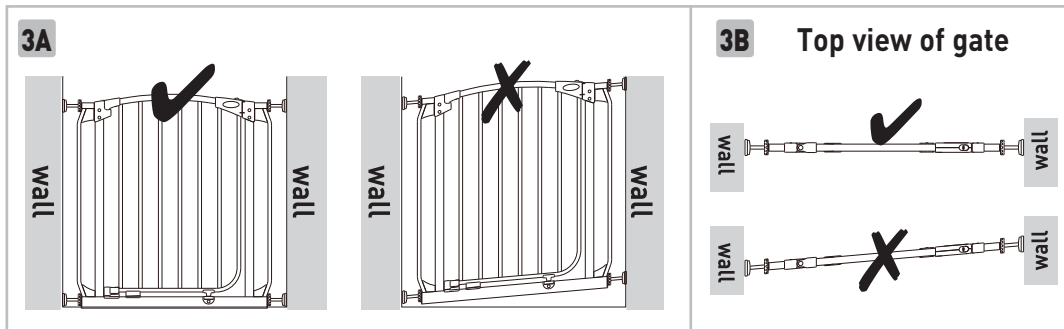
* For 9cm (3.5in) Gate Extensions	For all other Gate Extensions	Gate Extensions
<p>2A Gate Frame Insert LONG END of EXTENSION PIN into Gate Frame</p>  <p>Tension Knob Gate Extension 9cm</p>	<p>2B Gate Frame Insert SHORT END of EXTENSION PIN into Gate Frame</p>  <p>Tension Knob Gate Extension 27cm</p>	<p>#159/#192 - 9cm (3.5in) #171/#193 - 18cm (7in) #172/#194 - 27cm (10.5in) #831/#841 - 36cm (14in) #832/#842 - 45cm (17.5in) #833/#843 - 54cm (21in) #834/#844 - 63cm (24.5in) #835/#845 - 100cm (39in)</p>



WARNING

A maximum of 4 Gate Extensions can be used, 2 on each side of gate. Do NOT install 3 Gate Extensions on the same side of gate.

3. To Install, place the gate in the opening so that the bottom of the Gate Frame is completely flat on the floor (3A), and it is perpendicular to the openings and the floor (3B & 3C).
 For use on stairs (3E).
 Then fasten the Mounting Cups to the wall with screws or double-sided adhesive tape (3D).
 Note: Ensure that they are aligned vertically, so that the Mounting Cups at the top are directly above the ones at the bottom.

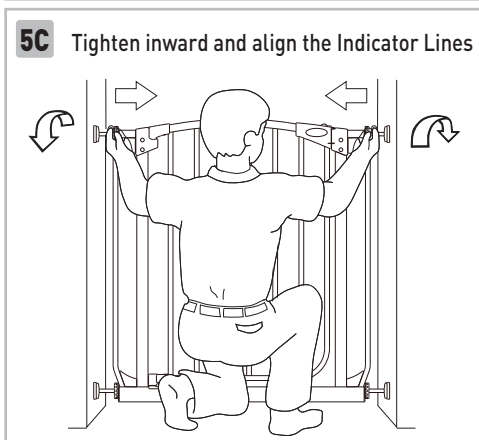
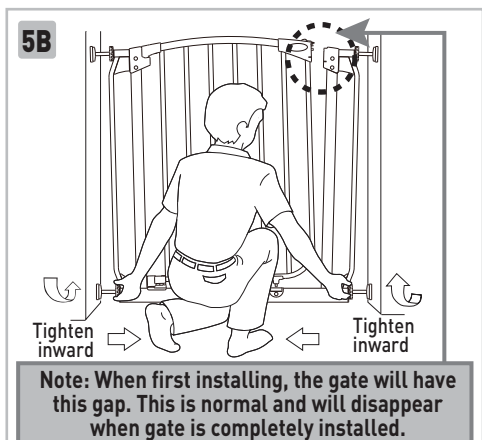
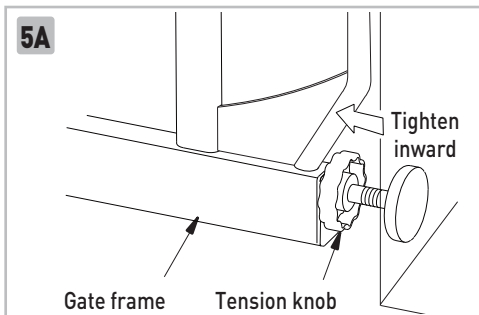


4. Partially slide the Bolts with Rubber Pads and Tension Knobs outwards from the Gate Frames / Extension Frames into Mounting Cups.

5. Tighten both of the bottom Tension Knobs (5A) by turning them clockwise at the same time (5A & 5B).

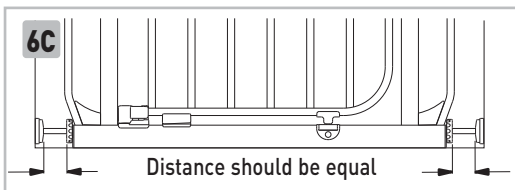
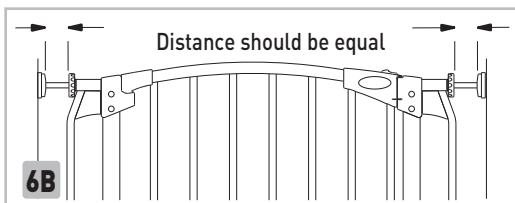
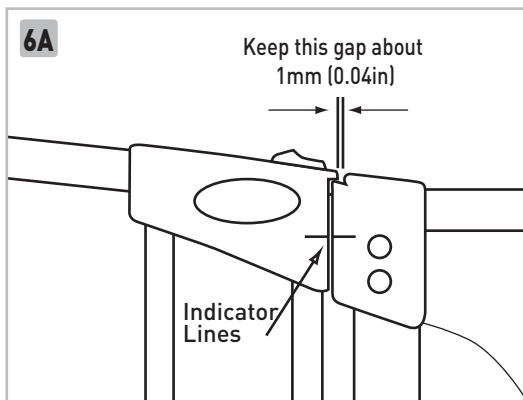
NOTE: Make sure the bottom of the gate frame remains completely flat on the floor.

Next, tighten both of the Tension Knobs at the top at the same time by turning them clockwise (5C).



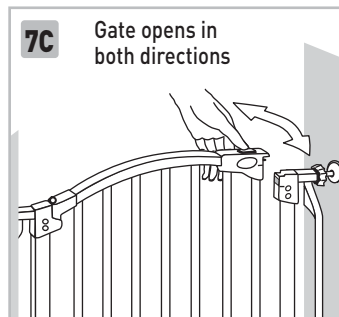
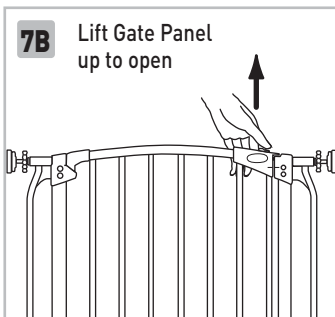
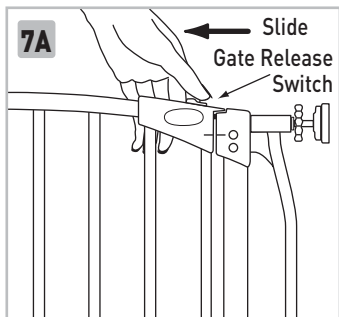
6. Tighten the Tension Knobs until the two Indicator Lines, located on the Upper Locking Set and on the Right Upper Corner, align horizontally (6A).

When correctly tightened, the distances between Tension Knobs and Rubber Pads should be equal (6B, 6C).



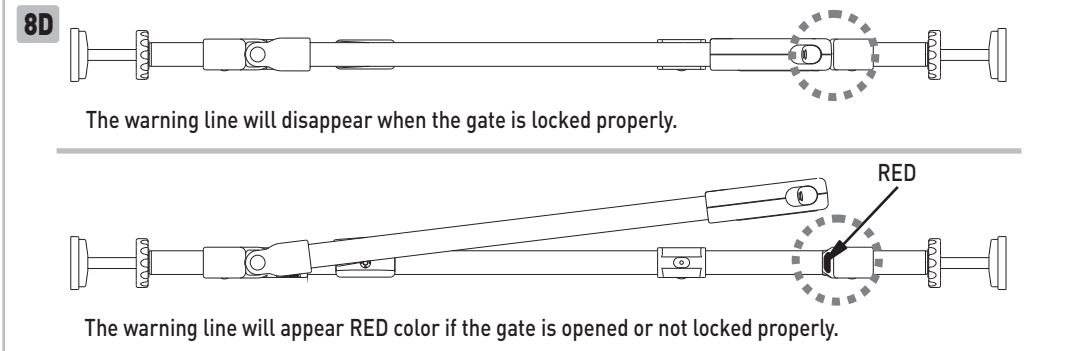
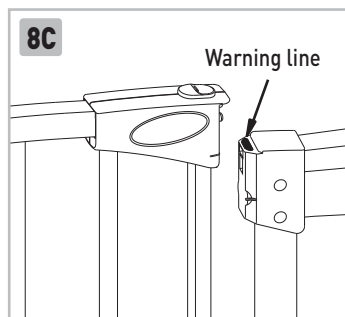
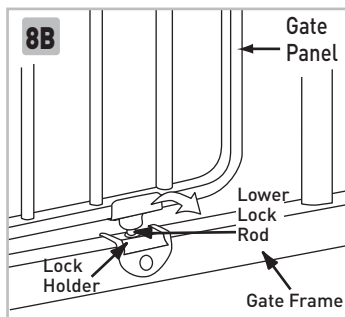
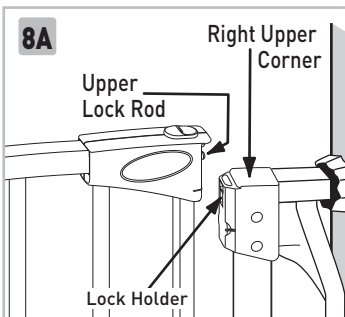
OPERATION

7. To open the gate: Slide the Gate Release Switch (7A). Lift the Gate Panel upward (7B). Gate swings open in both directions (7C).



8. To close the gate: Release the Gate and it will swing closed automatically. Try this action several times and make sure:

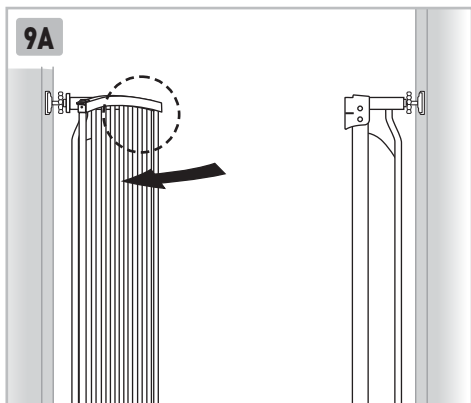
- The Upper Lock Rod and the latch of the Switch are completely latched within the Lock Holder at Right Upper Corner (8A).
- The Lower Lock Rod of the Gate Panel fits securely into the Lock Holder of Gate Frame (8B).
- The Warning Line has disappeared (8C & 8D).



9. For easy walk through use Smart Stay Open System:

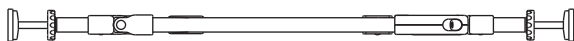
To engage the Smart Stay Open System swing gate in chosen direction to its maximum opening (9A). Gate will stay open. Close as required.

Caution: When using the Stay Open System, the automatic closing feature is not in operation. Keep gate closed when children are present.

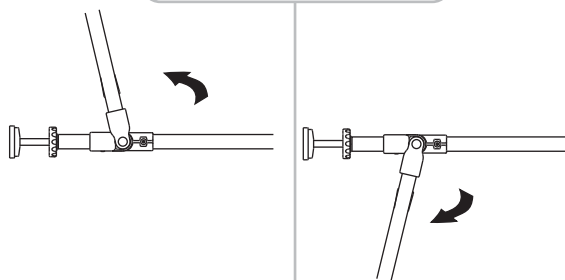


TOP VIEW OF GATE

Gate in CLOSED position



Swing to OPEN positions



MAINTENANCE & CARE

- Gate must be fitted according to instructions, to ensure it works correctly.
- Regularly check gate to ensure it is fitted properly and securely. Adjust as required.
- Regularly check tension knobs and rubber pads to make sure the gate is securely in place.
- Do not use the safety gate if any components are damaged or missing.
- To clean, wipe surface with a damp cloth or sponge using mild detergent and warm water. Never clean with abrasive, ammonia based bleach based or spirit type cleaners.
- If the gate does not stay in position or does not swing closed properly, the gate may not be installed properly.
Remove and re-install gate, make sure the gate is installed vertically.
- Indicator Lines must be correctly aligned. Keep 1mm (0.04in) gap.
- Any additional and replacement parts should be obtained from Tee-Zed Products.

CONTACT DETAILS

Tee-Zed acknowledges that its customers may be entitled to statutory consumer guarantees and does not seek to exclude or limit them. These guarantees include that Tee-Zed's products are of acceptable quality. This Tee-Zed product is for the specific purpose detailed in the instructions and packaging and Tee-Zed considers use outside of that purpose to be abnormal use. To the maximum extent permitted by law, Tee-Zed does not accept any liability for damage:

- arising from abnormal use of the products;
- caused by installation or removal of the products other than in accordance with the supplied installation and removal instructions; or
- arising under the law of tort or contract.

Dreambaby® products by 

Made in Dongguan, China.

©2015 Tee-Zed Products Pty Ltd



Tee-Zed Products Pty Ltd,
PO Box 2022, Bondi Junction NSW 1355
Australia Tel: +61 (0)2 9386 4000
info@tee-zed.com.au

Tee-Zed Products (N.Z.) Ltd
PO Box 64013, Botany Town Centre, Auckland
New Zealand Tel: +64 (0)9 274 8788
info@tee-zed.co.nz

Tee-Zed Products Ltd
PO Box 29227, Dunfermline, KY12 2DN
United Kingdom Tel: +44 (0)1844 800 9445
info@tee-zed.co.uk



www.dreambaby.com.au
www.dream-baby.co.nz
www.dreambaby.co.uk

www.youtube.com/dreambabytv
www.facebook.com/dreambabysafety
www.twitter.com/dreambabysafety

