



INSTRUCTIONS

Nelson Adjustable Wood Swing Gate

F826
F829

Important: Keep instructions for future reference
Read INSTRUCTIONS thoroughly before assembling and installing gate.

Fits openings between 76-122cm (30 - 48in)

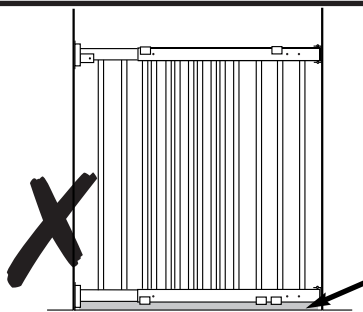
Complies with Standards: ASTM F1004-13



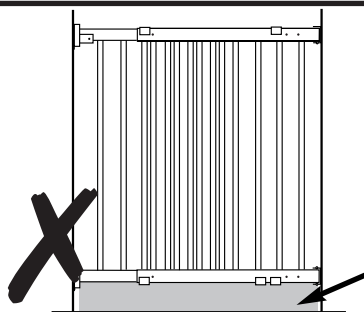
WARNING



- To prevent serious injury or death, securely install gate and use according to manufacturer's instructions and warnings.
- Never use with a child who is able to open, climb over or dislodge the gate.
- Never leave child unattended. This product does not replace proper adult supervision.
- This product is intended for use with children from 6 - 24 months.
- Use ONLY on openings between 76cm (30in) and 122cm (48in) wide; can also fit openings 157cm (61.8in) - 220cm (86.5in) when joining two Swing Gates.
- Use ONLY with locking mechanism securely engaged.
- NOTE: Never use without 4-point mounting hardware.
- DO NOT allow space between bottom of gate and floor to exceed 7.5cm (3in).
- Regularly check all fasteners to be sure they are tight and secure.
- Do not use the safety gate if any components are damaged or missing.
- The surfaces that the safety gate is to be fixed to must be suitable for the purpose and must be structurally sound. NOTE: Do not use this gate if it can't be installed to wall, door frames or posts - tightly and flatly.
- When installing against drywall, make sure mounting surface is reinforced with a wall stud.
- DO NOT install this gate to hollow walls.
- This safety gate must **NOT** be fitted across window openings and the like.
- Install this gate away from heaters and other sources of heat.
- This gate must **NEVER** be used as a pool or pond barrier.
- Gate **MUST ALWAYS** swing away from stairs. Swing Control Mechanism **MUST** be used to ensure gate swings one-direction only.
- If the gate is used at the bottom of the stairs to prevent the child from climbing up the stairs, it must be placed on the lowest stair.
- If the gate is to be used at the top of the stairs to prevent the child from falling down the stairs, it must not be placed on any stair below the level of the top stair.

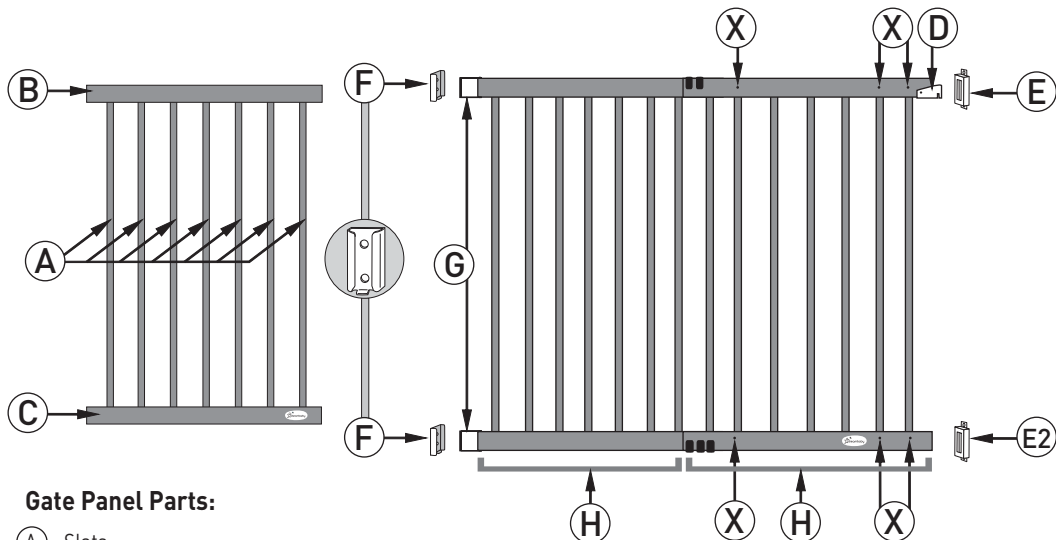


 **WARNING**
TOO LOW! NOT LESS than 5 cm (2 in)



 **WARNING**
TOO HIGH! NOT MORE than 7.5 cm (3 in)

CONTENTS & PARTS



Gate Panel Parts:

- (A) Slats
- (B) Top Rail
- (C) Bottom Rail
- (D) Latch Mechanism
- (E) Upper & (E2 lower) Latch Housing
- (F) Hinge Brackets
- (G) Gate Hinges
- (H) Gate Panels
- (X) Joining points

Hardware Bag Contents:

- Long Hinge Screws (x8)
- Paper Mounting Template (x1)
- Hinge Plates (x2)
- Latch Housings (x2)
- Swing Stop (x1)
- #10 x 1.25cm (1/2in) Screws (x2)
- Joining Screws (x2)

INSTALLATION

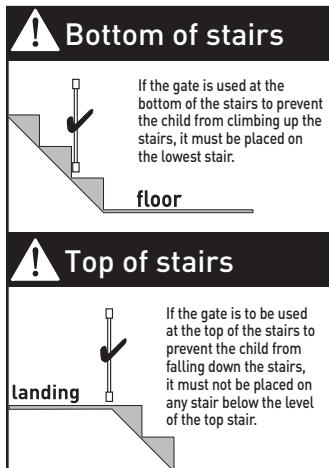
TOOLS REQUIRED:

An electric drill with 3mm (1/8in) drill bit, Phillips screwdriver, pencil, and adhesive tape. Use a Phillips screwdriver when installing screws.

BEFORE YOU START - IMPORTANT:

You can use this gate at the top or bottom of stairs **ONLY** if:

- the gate is mounted at the top of a stairwell to prevent the child from falling down the stairs, it must not be placed on any stair below the level of the top stair. Swing Control Mechanism **MUST** be used to ensure gate swings one-direction only.
- the gate is mounted at the bottom of a stairwell to prevent the child from climbing up the stairs, it must be placed on the lowest stair.
- the gate is mounted into a solid structure, e.g. wooden doorway jamb, solid wood banister post, or wall stud behind dry wall.
- the gate is installed according to these instructions, using 4-point mounting hardware and screws provided.
- the stairwell allows the gate to be mounted less than 7.5cm (3in) above the floor.



INSTALLATION

DO NOT mount the Hinge Brackets or Latch Housing on to uneven molding or wall base board trim (skirting board), as the gate will not function properly.

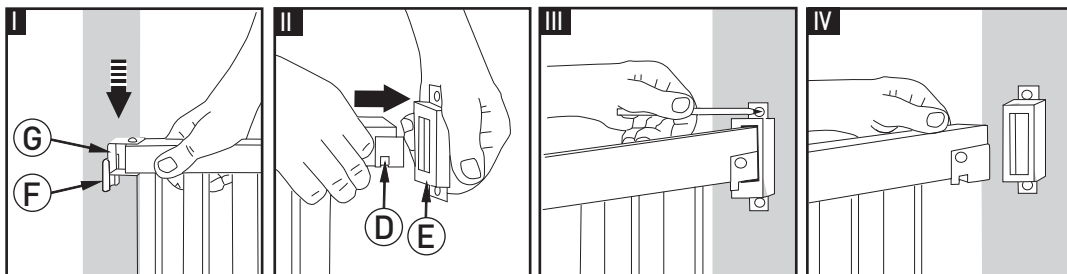
For plaster/gyprock surface, locate the timber beam or stud behind and mount in this location (mounting on plaster/gyprock alone is not strong enough and not safe). Do not mount to glass.

DO NOT mount the gate less than 5cm (2in) or more than 7.5cm (3in) above the floor.

Make sure the mounting template is in a straight vertical position.

- Using adhesive tape, attach the mounting template on the solid wood surface that you have chosen for the hinged side of the gate.
- Drill four 3mm (1/8in) diameter starter holes into the mounting surface at the crosshatch marks on the template.
- Remove the template from the wall.
- Drill each hole to a depth of 5cm (2in).
- Using Hinge Bracket screws, screw the two Hinge Brackets "F" into the mounting surface with the tabbed edge down. Tighten the screws until the Hinge Brackets are securely fastened to the mounting surface.
- Simultaneously slide the side of both Gate Hinges "G" down into both Gate Hinge Brackets "F" until it is securely seated (I).
- Squeeze the Latch Mechanism "D" and slide the upper Latch Housing "E" over the Latch Mechanism until it snaps into place (II). Also slide Latch Housing "E2" over the bottom gate rail.
- Swing the gate into the closed position and extend the Gate Panels by sliding out, until the gate contacts the latch side of the mounting surface.
- Make sure that the top of the gate is level with the floor. Carefully mark the position of the holes for the upper Latch Housing "E", using a pencil (III).
- Swing the gate out of the way. Remove the upper Latch Housing "E".
- Drill holes as in point 4. Using the correct screws, secure the upper Latch Housing to the mounting surface.
- With lower Latch Housing "E2" in place on lower gate rail, slide the Latch Mechanism into Latch Housing until snaps in.
- Using a pencil, carefully mark the position of the holes of the lower latch housing.
- Squeeze Latch Mechanism, open and swing the gate out of the way. Remove the lower Latch Housing from the rail.
- Drill holes, repeat points 4 and 5.
- Test that the gate is securely installed by firmly shaking the top rail of gate.

NOTE: If there is a skirting board (base board) to which the gate is to be attached, build up the wall area where top mounts are to be fitted using a piece of timber of equal thickness. Alternatively remove the skirting board (base board) prior to mounting gate.

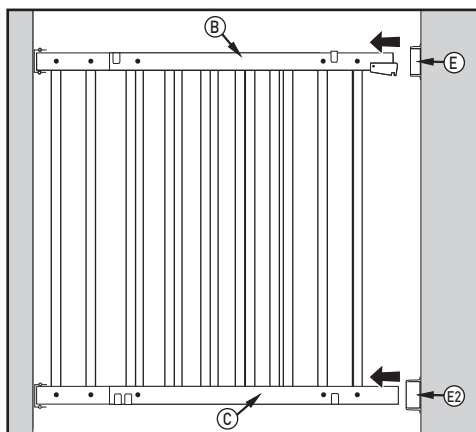
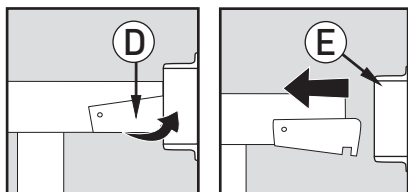


OPERATION

TO OPEN GATE:

- Squeeze the Latch Mechanism "D" upward to unlock;
- Slide the gate in the direction of the arrow to disengage from the upper Latch Housing "D" and lower Latch Housing "E2";
- Swing gate open.

IMPORTANT: The end of the bottom rail "C" is slightly longer than the top rail "B". Before attempting to swing the gate open, make sure the bottom rail is disengaged.



OPTIONAL SWING CONTROL

FOR EXTRA SECURITY:

The optional swing control mechanism provides extra security.

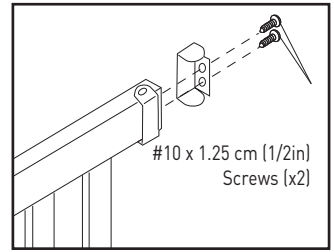
The swing control mechanism **MUST** be used to prevent the gate from swinging into a hazard such as over stairs or into a heavy traffic area.

1. Mount the gate according to instructions.
2. Determine the direction you want to prevent the gate from swinging.

3. Attach the swing control mechanism to the top rail with the solid surface of the swing control mechanism toward the direction of the hazard, i.e. the direction you want to prevent the gate from swinging.

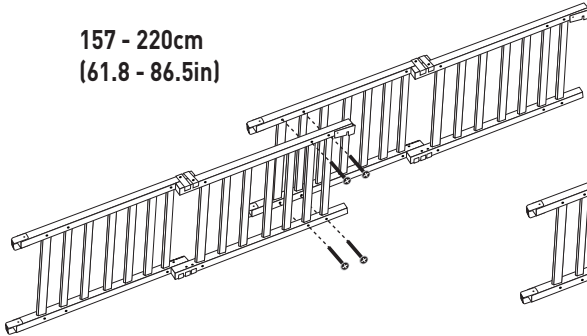
4. The optional swing control mechanism should not be used in place of the latching mechanisms.

Always keep the latching mechanism securely engaged when using the gate. Remove the gate from opening when not in use.

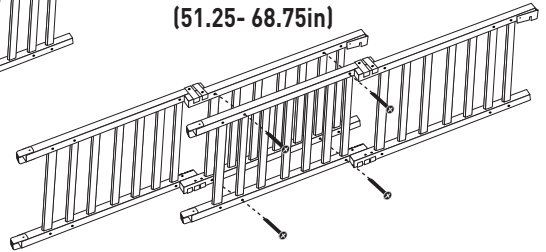


JOINING SWING GATES

157 - 220cm
(61.8 - 86.5in)



130.5 - 175cm
(51.25 - 68.75in)



COMPOSITION

Timber gate with metal and plastic parts.

Plastic parts: Nylon & Polyoxymethylene (POM) materials.

CARE & MAINTENANCE

- Wash gate with mild soap and warm water and dry thoroughly before using.
- Metal and plastic parts can be wiped clean with a soft cloth and dried with a soft cloth. Never clean with abrasive, ammonia based, bleach based or spirit type cleaners.
- An occasional drop of vegetable oil may reduce wear and tear on moving parts.
- Any additional and replacement parts should be obtained from Tee-Zed Products.

CONTACT DETAILS

Tee-Zed acknowledges that its customers may be entitled to statutory consumer guarantees and does not seek to exclude or limit them. These guarantees include that Tee-Zed's products are of acceptable quality. This Tee-Zed product is for the specific purpose detailed in the instructions and packaging and Tee-Zed considers use outside of that purpose to be abnormal use. To the maximum extent permitted by law, Tee-Zed does not accept any liability for damage:

- arising from abnormal use of the products;
- caused by installation or removal of the products other than in accordance with the supplied installation and removal instructions; or
- arising under the law of tort or contract.


Tee-Zed Products Pty Ltd,
PO Box 2022, Bondi Junction NSW 1355
Australia Tel: +61 (0)2 9386 4000
info@tee-zed.com.au

Tee-Zed Products (N.Z.) Ltd
PO Box 64013, Botany Town Centre, Auckland
New Zealand Tel: +64 (0)9 274 8788
info@tee-zed.co.nz

Tee-Zed Products Ltd
PO Box 29227, Dunfermline, KY12 2DN
United Kingdom Tel: +44 (0)844 800 9445
info@tee-zed.co.uk

www.dreambaby.com.au
www.dream-baby.co.nz
www.dreambaby.co.uk

www.youtube.com/dreambabytv
www.facebook.com/dreambabysafety
www.twitter.com/dreambabysafety

Dreambaby® products by 

Made in Jiaxing, China. ©2015 Tee-Zed Products Pty Ltd

