

**BERNINI**  
SERIES

**HBL60**



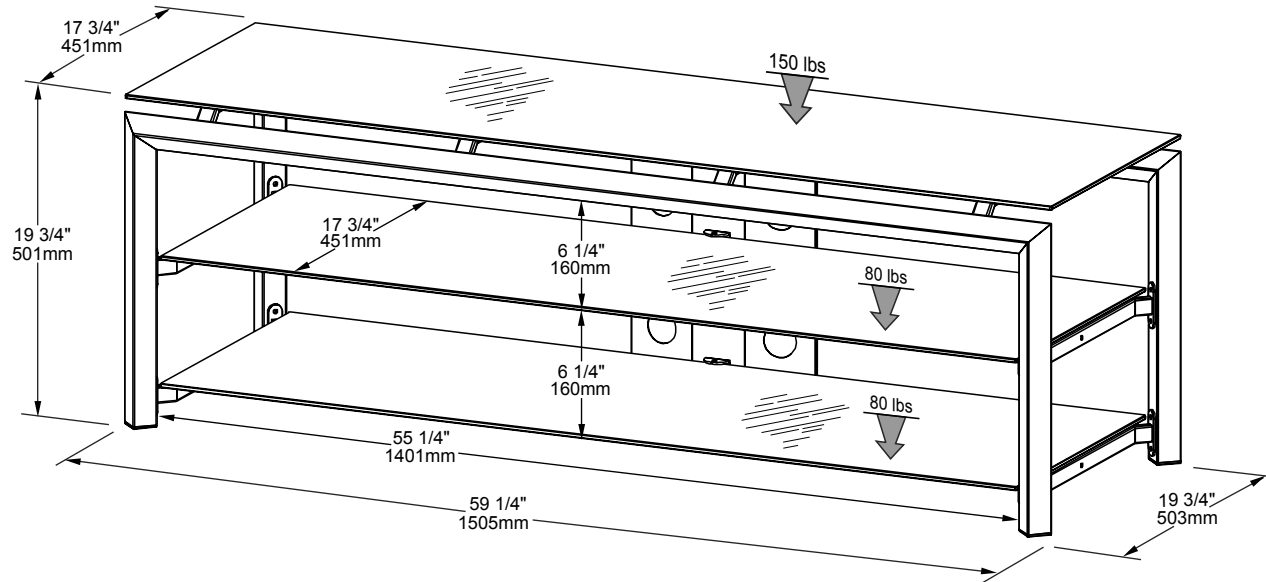
#### GENERAL FEATURES

- 60" Wide TV Stand fits most 60" and smaller Flat Panels.
- Heavy gauge diamond shaped tubing for strength and durability.
- Ample component space provided.
- Brilliant black silkscreen glass to match today's Flat Panels.
- Easy access to wire management.

**TECH  
CRAFT**

# HBL60

	Carton dimensions	Gross Weight	Volume	No. of units per pallet	UPC code
	(h) 5" / 127mm	105.16 lbs / 47.8 kg	4.59 cu ft / 0.13 cu m	18 units	6-23788-00493-2
	(w) 24" / 607mm	<i>Dimension and weight / volume information on this sheet is rounded. Specifications subject to change without notice.</i>			
	(d) 66 1/2" / 1690mm				



## Techcraft Manufacturing Inc.

Copyright © Techcraft 2008. All rights reserved. No part of this drawing may be reproduced in any form by any photographic, electronic, mechanical or other means, or used in any information storage and retrieval system, without the written permission of Techcraft.

Hot Line : 1-888-476-8896

Fax: (450) 622-3452

Email: sales@techcraft.net

Email: services@techcraft.net