

SPECIFICATIONS

PRINCE™ SINGLE HANDLE LAVATORY FAUCET

Model

D236010

Description

- Ceramic disc valve
- 4 ½" high spout, 4 ½" spout length, laminar flow
- Metal touch down drain assembly
- Single hole mount with optional deck plate
- Flow rate: 1.5 gpm @ 60 psi

Standards



- NSF 61-9
- Energy Policy Act of 1992



- ASME A112.18.1M/A112.18.1
- NSF/ANSI 372

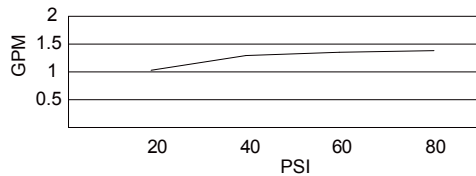


- ADA Accessibility Guidelines for Buildings and Facilities - 4.27.4 Controls and Mechanisms

Warranty

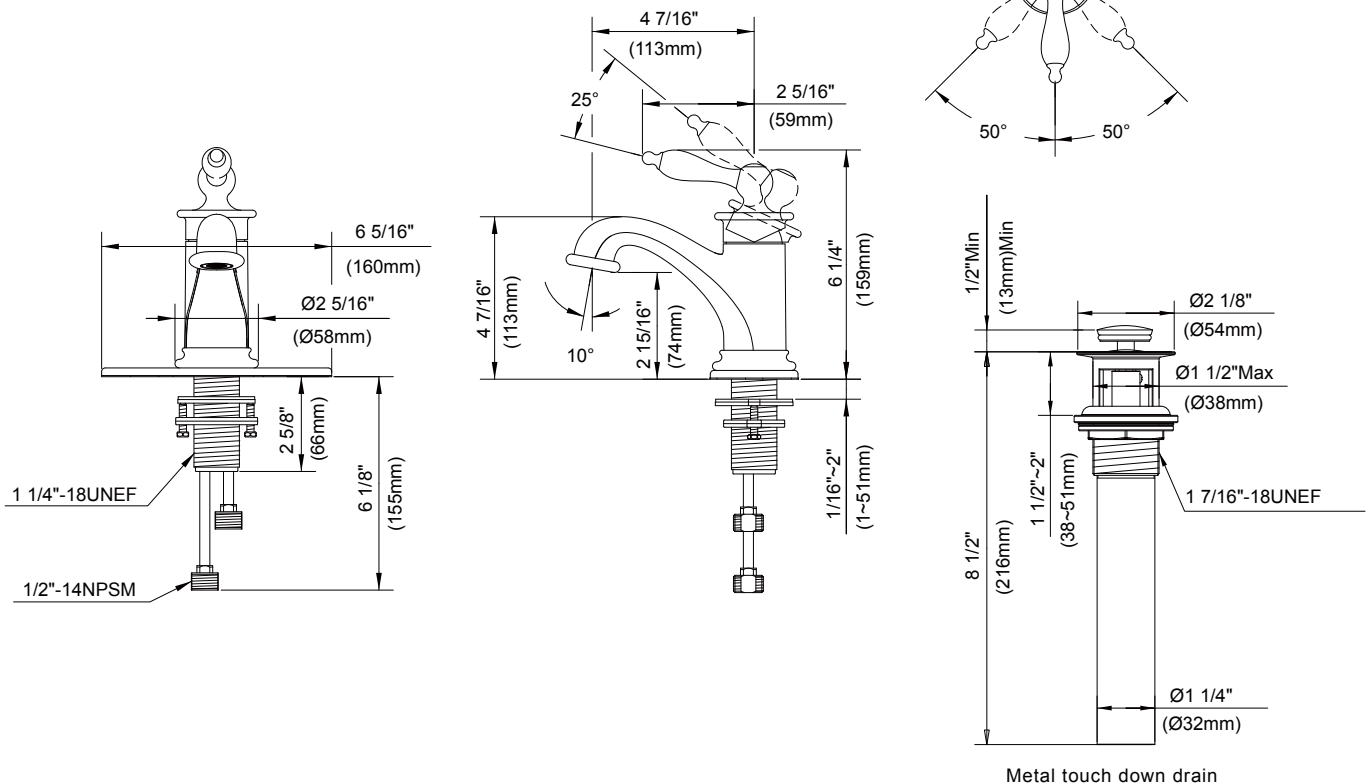
Danze products are covered by a manufacturer's limited "lifetime" warranty for manufacturing defects.

Flow Rate



Finishes Available

- Chrome
- Other: Refer to Price List for additional finish



Submittal Information:

Job Name: _____

Location: _____

Contractor: _____

Contact #: _____