

SPECIFICATIONS

BIDET

Model

DC034110

Description

- Vertical spray with rim wash
- Overflow
- Mounting hardware included

Standards



MEET ASME
A112.19.2



Warranty

Five Year Limited Warranty (Vitreous China)

Technical Information

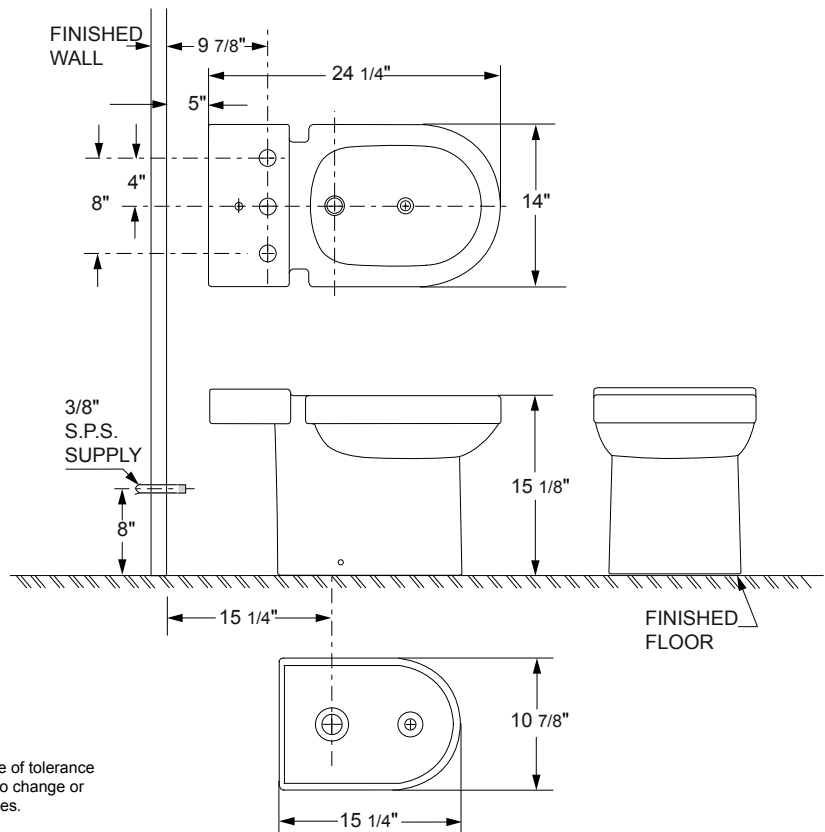
Fixture:	
Configuration	rim wash
Drain hole	1 3/4" (4.4 cm)
Faucet holes	1 3/8" (3.5 cm)
Pop-up rod hole	5/8" (1.6 cm)
Spray hole	15/16" (2.4 cm)
Diverter	1 3/8" (3.5 cm)

Ziga Zaga® Collection



Available Colors

- White (WH)



IMPORTANT: Dimensions of fixtures are nominal and may vary within the range of tolerance established by ANSI Standard A112.19.2M. These measurements are subject to change or cancellation. No responsibility is assumed for use of superseded or voided pages.