

DECK FAUCET EXTENSION KIT

Description

- 1 3/8" diameter hole
- Allows an additional 1 1/4" mounting thickness capability
- Maximum overall deck thickness when using the extension is 2 1/2"
- Extension kit can be used on 2 handle centerset lavatory, bar, laundry & kitchen faucets



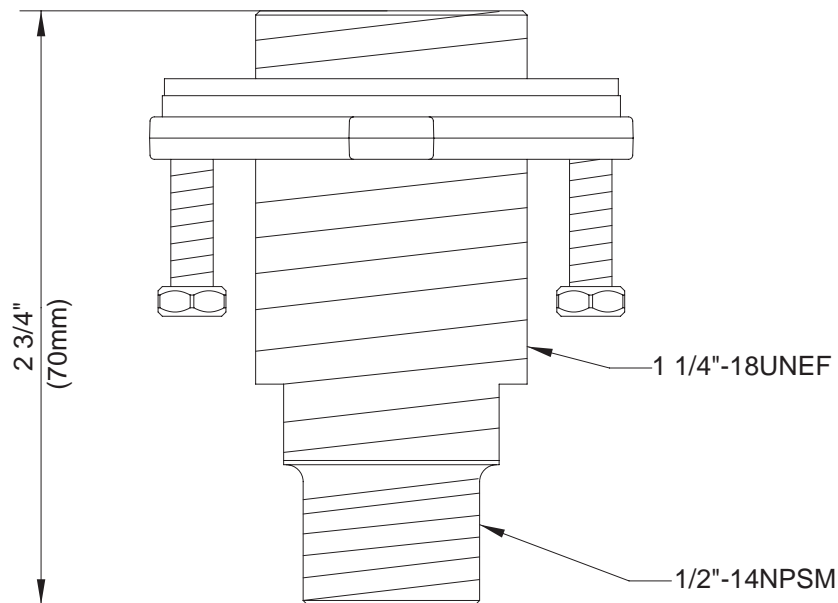
DA602500

Standards

- CSA B125
- Listed IAPMO/UPC

Warranty

Danze products are covered by a manufacturer's limited "lifetime" warranty for manufacturing defects.



Specific Features: _____ Submitted Model No.: _____

SDA602500/08-07.01