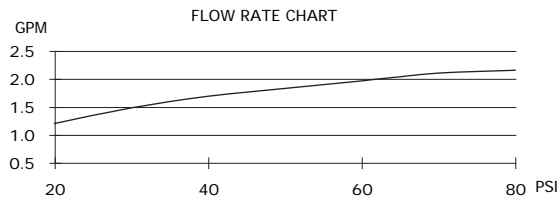


TWO FUNCTION WALL MOUNT BODY SPRAY

Description

- Spray & Massage setting
- Ball joint mount allows directional setting
- 1/2" IPS female connection

Flow & Valving



D460165

Available Colors & Finish

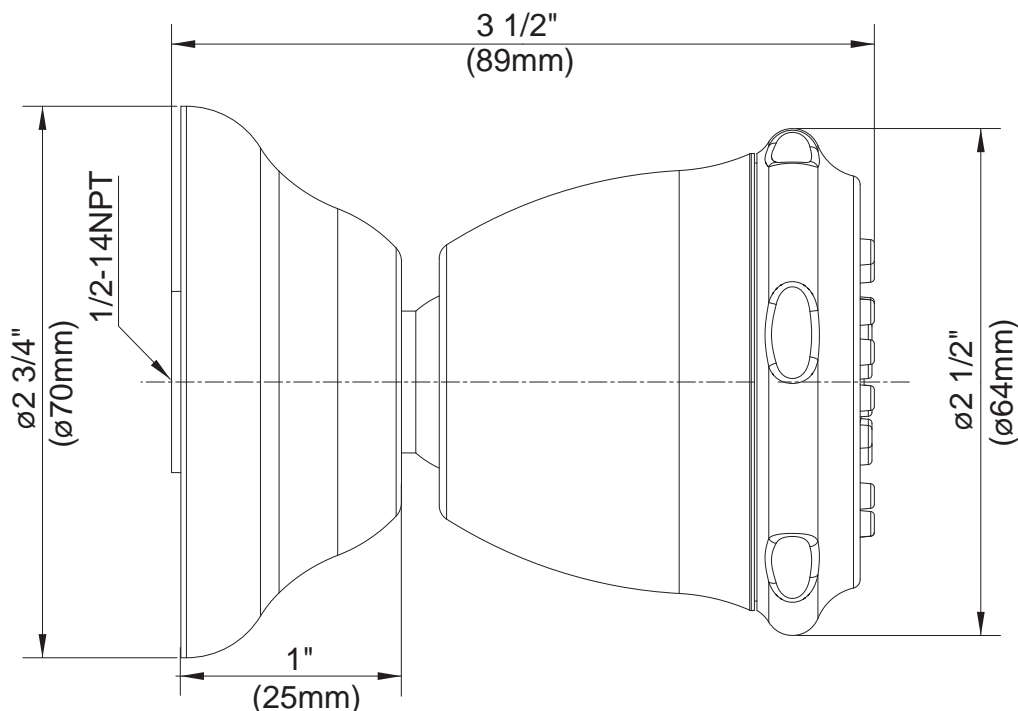
- Chrome
- Antique Copper (AC)
- Brushed Nickel (BN)
- Satin Black (BS)
- Distressed Nickel (DN)
- Polished Brass (PBV)
- Polished Nickel (PNV)
- Oil Rub Bronze (RB)
- Distressed Bronze (RBD)

Standards

- ASME A112.18.1
- CSA B125
- ASSE 1016
- Listed IAPMO/UPC

Warranty

Danze products are covered by a manufacturer's limited "lifetime" warranty for manufacturing defects.



Specific Features: _____ Submitted Model No.: _____

SD460165/06-08.02