

SPECIFICATIONS

ROMAN TUB FAUCET TRIM KIT

Model

D305658T

Description

- 2 handle with solid brass spout
- Slip spout mounting
- Fits 1 3/8" to 1 1/2" diameter mounting hole
- Use with valve: D210000BT (10" CC Fixed) or D215000BT (Widespread)

Standards



- UPC/cUPC
- Energy Policy Act of 1992



- ASME A112.18.1M/ A112.18.1



- ADA Accessibility Guidelines for Buildings and Facilities - 4.27.4 Controls and Mechanisms

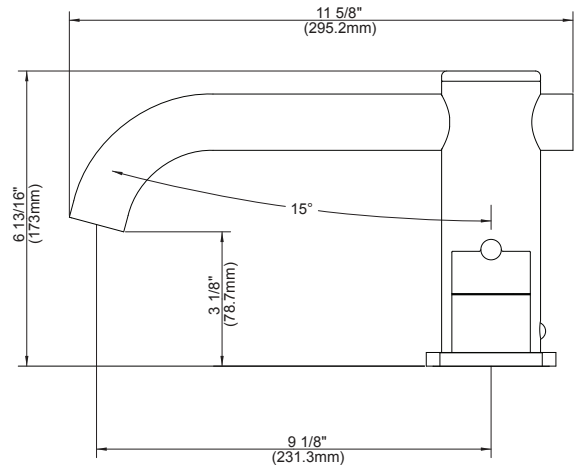
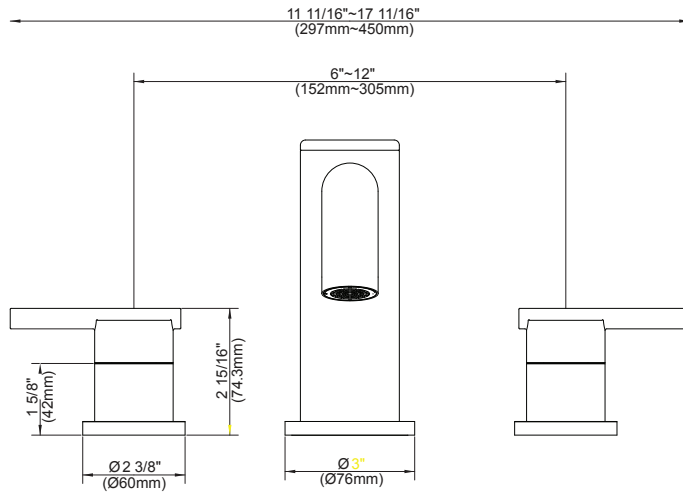


Finishes Available

- Chrome
- Brushed Nickel

Warranty

Danze products are covered by a manufacturer's limited "lifetime" warranty for manufacturing defects.



Submittal Information:

Job Name: _____

Location: _____

Contractor: _____

Contact #: _____