

SPECIFICATIONS

FAIRMONT™ SINGLE HANDLE BAR & CONVENIENCE FAUCET

Model

D151540

Flow Rate

Description

- Ceramic disc valve
- 11" high swivel spout, 5 1/2" spout length
- Single hole mount
- 2.2gpm (8.3L/min) maximum flow rate @60 psi

Standards



NSF/ANSI 372

- NSF/ANSI 372

MEETS ASME A112.18.1M/A112.18.1

- ASME A112.18.1M/A112.18.1



- ADA Accessibility Guidelines for Buildings and Facilities - 309.4 Operation for Operable Parts

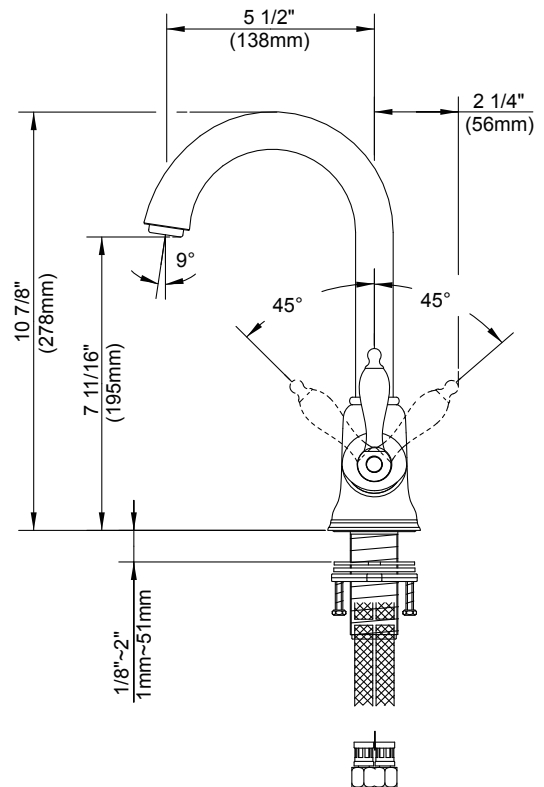
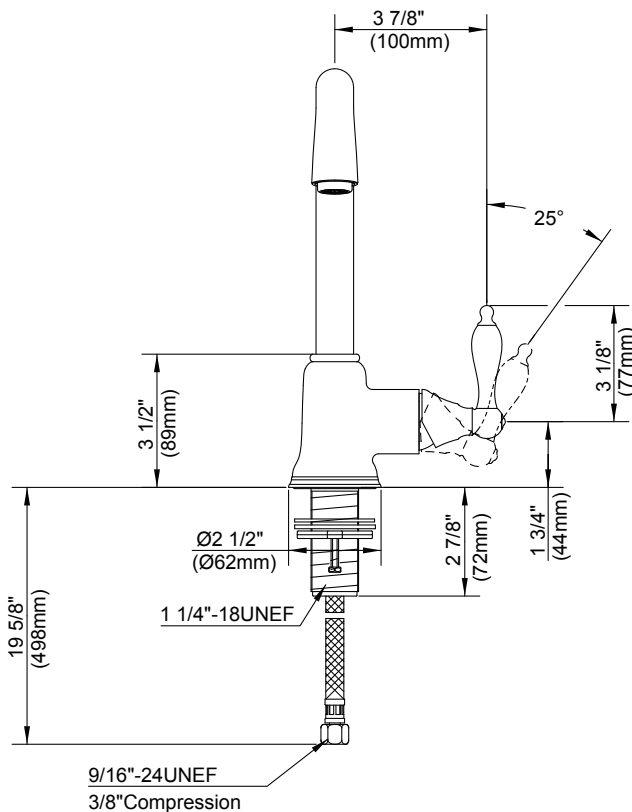
Warranty

Danze products are covered by a manufacturer's limited "lifetime" warranty for manufacturing defects.



Finishes Available

- Chrome
- Other: Refer to Price List for additional finish



Submittal Information:

Job Name: _____
 Contractor: _____

Location: _____
 Contact #: _____