

SPECIFICATIONS

PARMA™ SINGLE HANDLE KITCHEN FAUCET

Model

D401558

Description

- Ceramic disc valve
- 15" high spout, 9 1/4" spout length
- Matching brass spray
- 2 hole mount
- 2.2gpm (8.3L/min) maximum flow rate @60 psi

Standards



NSF/ANSI 372

• NSF/ANSI 372

MEETS ASME A112.18.1M/A112.18.1

• ASME A112.18.1M/A112.18.1

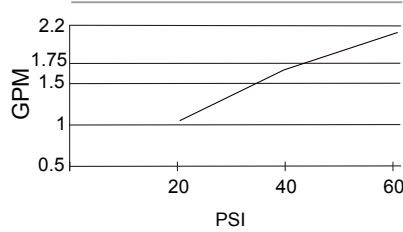


• ADA Accessibility Guidelines for Buildings and Facilities - 309.4 Operation for Operable Parts

Warranty

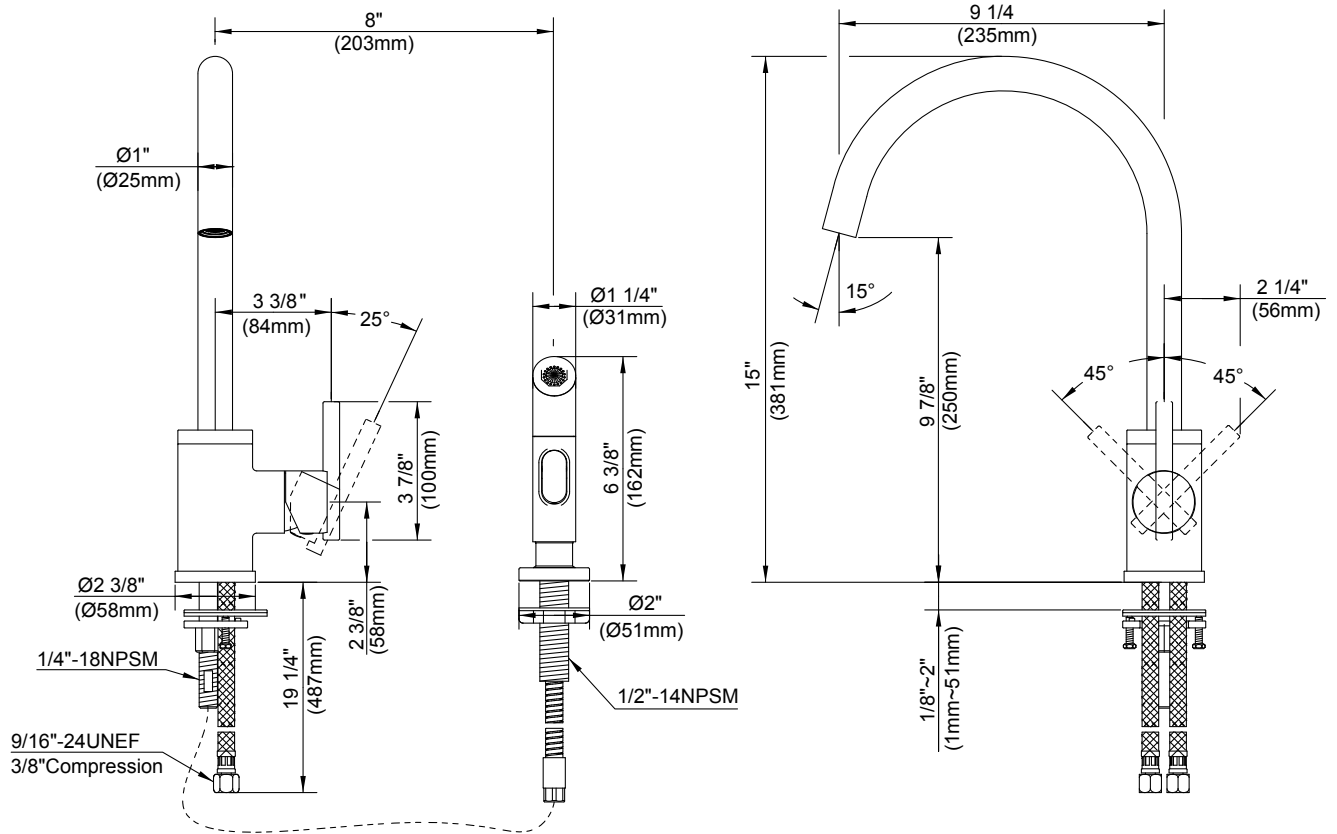
Danze products are covered by a manufacturer's limited "lifetime" warranty for manufacturing defects.

Flow Rate



Finishes Available

- Chrome
- Other: Refer to Price List for additional finish



Submittal Information:

Job Name: _____
 Contractor: _____

Location: _____
 Contact #: _____