

SPECIFICATIONS

AMALFI™ TWO HANDLE CENTERSET LAVATORY FAUCET

Model

D301030

Flow Rate

Description

- Ceramic disc valves
- 8" high spout, 3 3/4" spout length, laminar flow
- With 50/50 touch down drain assembly
- 3 hole mount
- 1.5gpm (5.7L/min) maximum flow rate @60 psi

Standards



NSF/ANSI 372

- NSF/ANSI 372

MEETS ASME A112.18.1M/A112.18.1

- ASME A112.18.1M/A112.18.1



- ADA Accessibility Guidelines for Buildings and Facilities - 309.4 Operation for Operable Parts

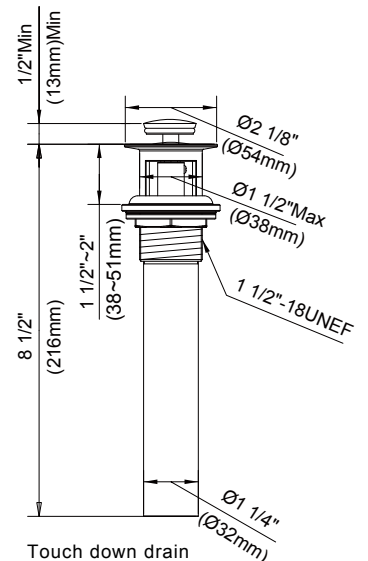
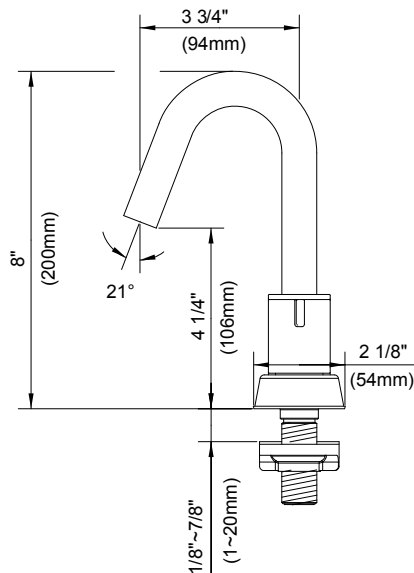
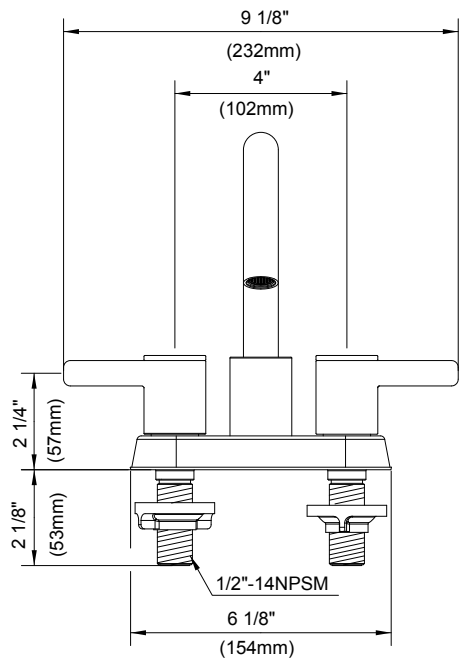
Warranty

Danze products are covered by a manufacturer's limited "lifetime" warranty for manufacturing defects.



Finishes Available

- Chrome
- Other: Refer to Price List for additional finish



Submittal Information:

Job Name: _____
 Contractor: _____

Location: _____
 Contact #: _____