

SPECIFICATIONS

EASTHAM™ TWO HANDLE CENTERSET LAVATORY FAUCET

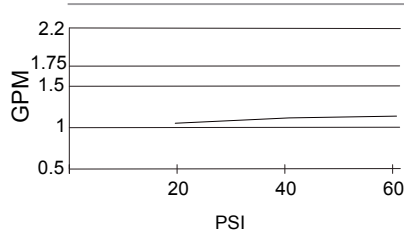
Model

D301015

Description

- Ceramic disc valves
- 6 3/4" high spout , 4 1/2" spout length, laminar flow
- With 50/50 pop-up drain assembly
- 3 hole mount
- 1.5gpm (5.7L/min) maximum flow rate @60 psi

Flow Rate



Standards



NSF/ANSI 372

• NSF/ANSI 372

MEETS ASME A112.18.1M/ A112.18.1

• ASME A112.18.1M/A112.18.1



• ADA Accessibility Guidelines for Buildings and Facilities - 309.4 Operation for Operable Parts

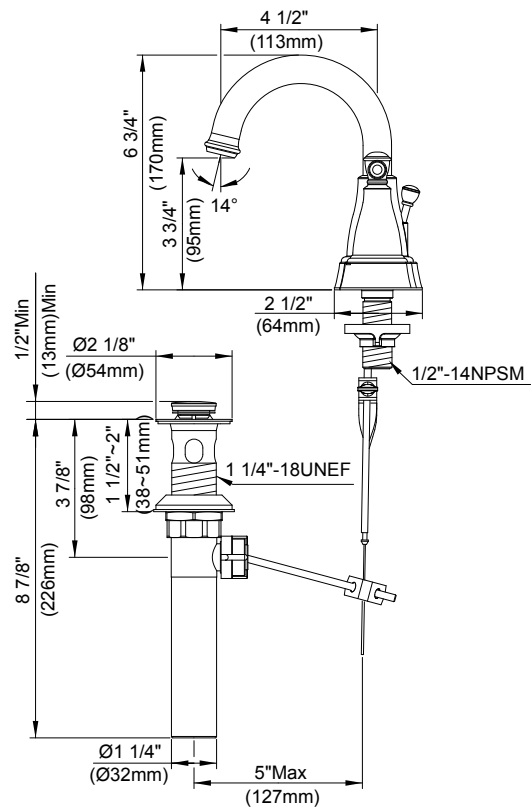
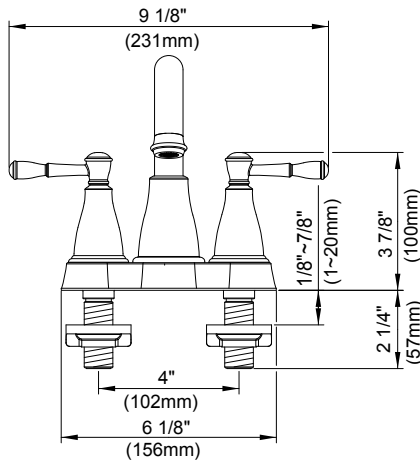


Finishes Available

- Chrome
- Other: Refer to Price List for additional finish

Warranty

Danze products are covered by a manufacturer's limited "lifetime" warranty for manufacturing defects.



Submittal Information:

Job Name: _____
 Contractor: _____

Location: _____
 Contact #: _____