

**SPECIFICATIONS**

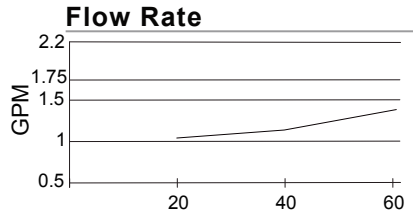
**REEF™ SINGLE HANDLE LAVATORY FAUCET**

**Model**

D225533

**Design Features**

- Ceramic disc valve
- 5 1/4" high spout, 4" spout length
- Metal lever handle
- With 50/50 touch-down drain assembly
- 4" deck plate DA607568 sold separately for single hole mounting
- Laminar Flow
- 1.5gpm (5.7L/min) maximum flow rate @60 psi



**Standards**



NSF/ANSI 372

• NSF/ANSI 372



• ASME A112.18.1M/A112.18.1



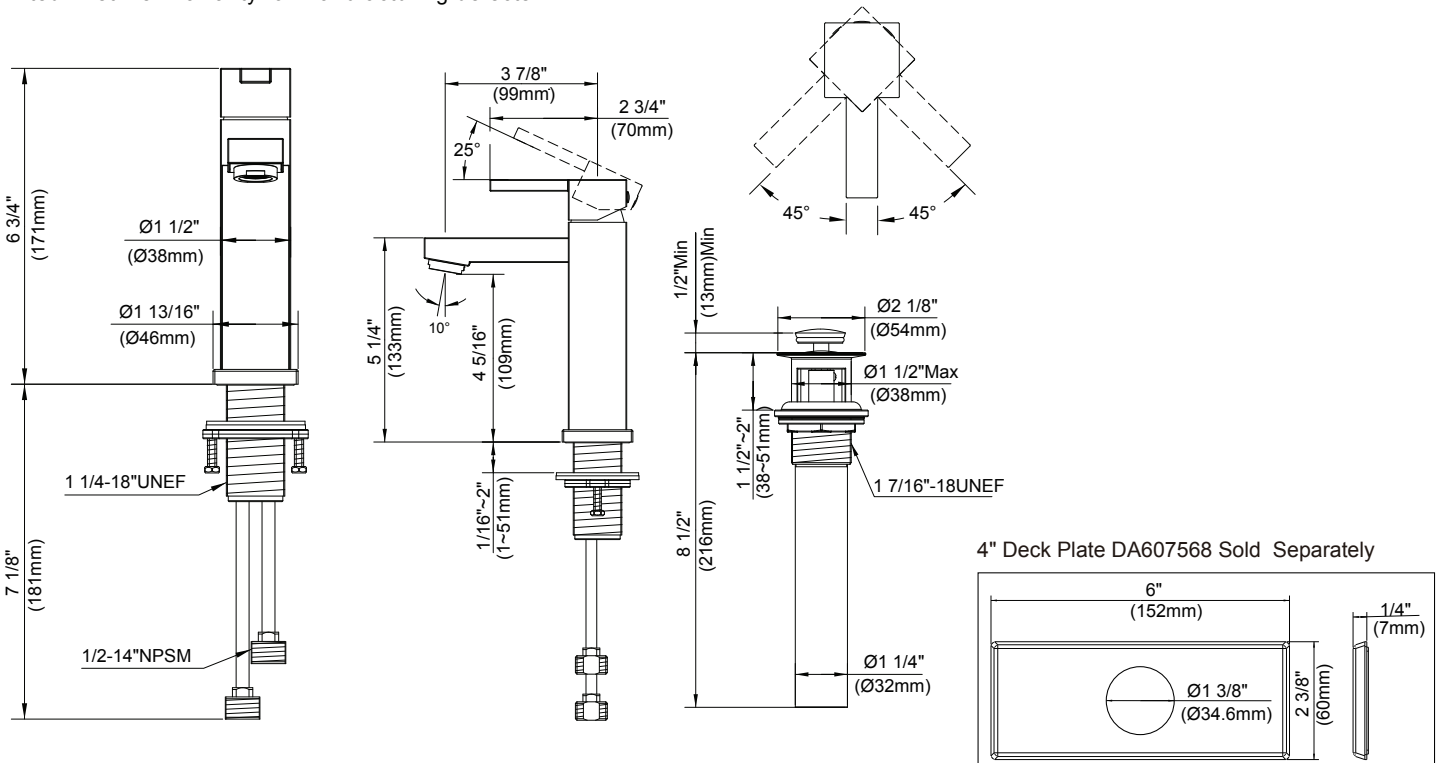
• ADA Accessibility Guidelines for Buildings and Facilities - 309.4 Operation for Operable Parts

**Finishes Available**

- Chrome
- Other: Refer to Price List for additional finish

**Warranty**

Danze products are covered by a manufacturer's limited "lifetime" warranty for manufacturing defects.



Submittal Information:

Job Name: \_\_\_\_\_  
 Contractor: \_\_\_\_\_

Location: \_\_\_\_\_  
 Contact #: \_\_\_\_\_