

Installation



For Models:
 813-971, 813-973, 813-912, 813-913, 813-684, 813-459
 813-579, 813-445, 559-319, 566-731, 323-936, 181-265
 323-867, 332-120, 348-485, 418-609, 291-226

Tools:

- Adjustable wrench
- Hex Wrench
- Groove joint plier
- Plumber's putty
- Pipe tape
- Phillips screwdriver

Safety Tips

- If you use soldering for the installation of the faucet, the seats cartridges and washers will have to be removed before using flame. Otherwise, warranty will be void on these parts
- Protect your eyes with safety glasses when cutting or soldering water supply line
- Cover your drain to avoid losing parts

Things You May Need

All installations can vary depending on how your previous faucet was installed. Necessary supplies to install your faucet are not all included; however they are available wherever plumbing supplies are sold. When choosing your installation supplies, make sure they are IAPMO and/or CSA approved products.

Need help?
For additional assistance or service call:
 1 888 328-2383 USA
 8 a.m. to 8 p.m. EST Monday-Friday
 9 a.m. to 5 p.m. EST Saturday & Sunday

What you need to know

Maintenance

Your new bathroom faucet is designed for years of trouble-free performance.

Keep it looking new by cleaning it periodically with a soft cloth. Avoid abrasive cleaners, steel wool and harsh chemicals as these will dull the finish and void your warranty.

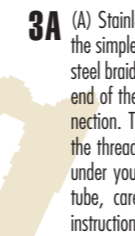
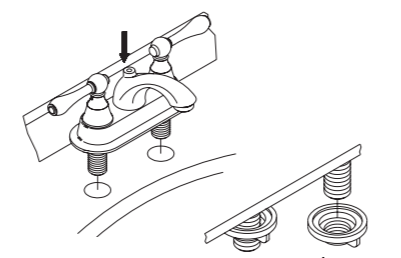
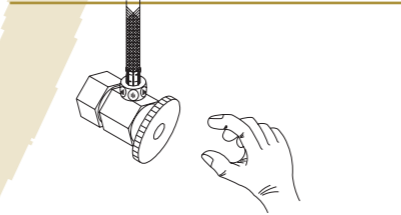
Important points

Prior to beginning installation, turn off the cold and hot water lines and open the old faucet to release build-up pressure.

When installing your new faucet, turn the connector nuts finger-tight, then use one wrench to anchor the fitting and a second wrench to tighten the nut one additional turn. Connections that are too tight will reduce the integrity of the system.

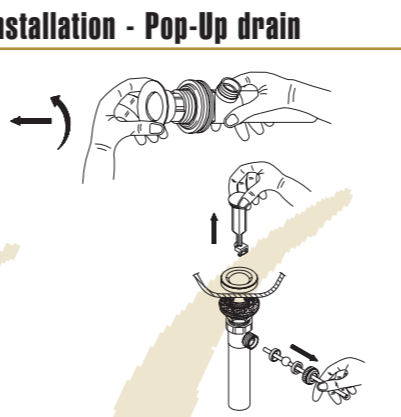
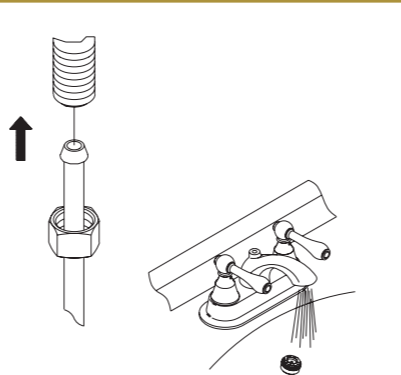
Wrap all threaded connections with Teflon tape available at your local hardware or plumbing supply store. Always wrap in a clockwise direction.

Preparation/Assembly

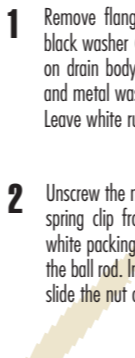


3A (A) Stainless Steel Braided Faucet Supply Tubes: This is the simplest of all installations. If you are using stainless steel braided faucet supply tubes, this faucet requires one end of the supply tube to have a 1/2" female IPS connection. The other end of this supply tube must match the thread on the water supply fittings or shut off valve under your sink. Once you have identified the required tube, carefully follow the manufacturer's installation instructions for each tube.

Installation



Installation - Pop-Up drain

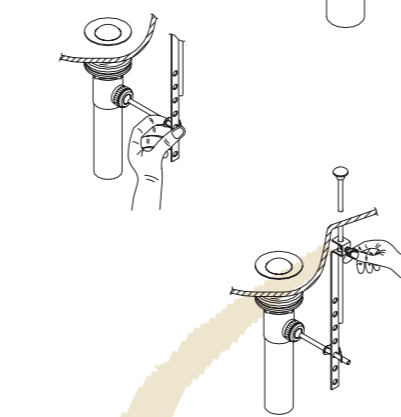
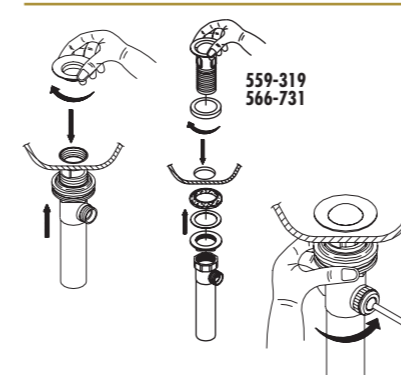


1 Remove flange from pop up main body. Leave large black washer (not included with plastic pop ups) and nut on drain body. (For 559-319 & 556-731: Remove nut and metal washer and black rubber washer from flange. Leave white rubber washer on the flange.)

2 Unscrew the nut from the pop up body and take off the spring clip from the ball rod (please note: retain the white packing ring on the ball rod), and place the nut in the ball rod. Insert the ball rod into the side hole of drain, slide the nut on and tighten securely.

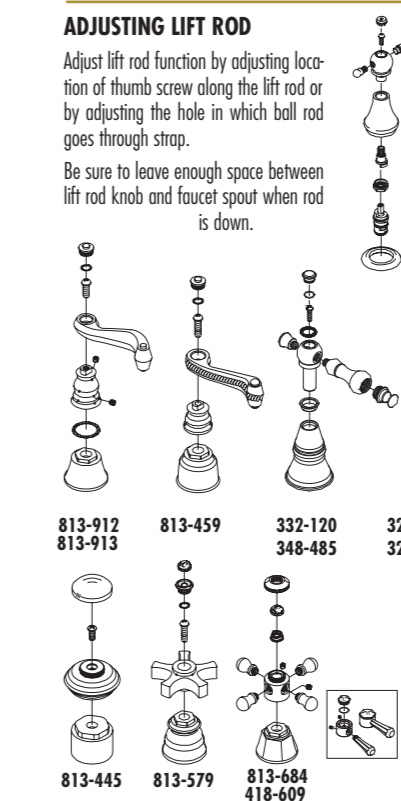
Steps 3B-6

Installation



Steps 7-10

Installation



Parts diagram

Troubleshooting

- PROBLEM** Leaks underneath handle.
CAUSE Retainer nut has come loose or O-ring on cartridge is dirty or twisted.
ACTION
 1. Move the handle to the off position. Unscrew the handle screw and remove the handle (Diagram A).
 2. Tighten the retainer nut by turning it clockwise (Diagram B). Move the cartridge stem to the on position. The leak should stop draining out from around the cartridge stem.
 3. If the leak does not stop, shut off the water supply. Remove the retainer nut by turning it counter clockwise. Lift out the cartridge valve (Diagram C). Inspect the larger O-ring on the cartridge bonnet and the smaller O-ring on the cartridge stem. Remove any debris from the O-rings. If either O-ring is twisted, straighten it out. If either O-ring is damaged, replace it.
 4. Position the cartridge back to the faucet body (Diagram D). Make sure the wings on the two sides of the cartridge bonnet fit into the cuts on the two sides of the faucet body. Tighten the retainer nut onto the faucet body.
 5. Re-install the handle.
- PROBLEM** Faucet leaks around aerator.
CAUSE Aerator incorrectly fitted.
ACTION
 1. Unscrew the aerator by turning it clockwise (Diagram G). Inspect the black rubber packing inside the aerator. The rubber packing should be flat.
 2. Screw the aerator onto the spout end and tighten.
- PROBLEM** Improper water pattern.
CAUSE Aerator dirty or small parts inside aerator improperly installed.
ACTION
 1. Remove the aerator from the spout end by turning it clockwise.
 2. Gently flush the small parts inside the aerator to clear away any debris.
 3. Re-install the small parts as shown in the exploded diagram (Diagram H). Metal screens must be flat and plastic supporter must be straight.
 4. Screw the aerator onto the spout end and tighten.
- PROBLEM** Water does not completely shut off.
CAUSE Rubber valve seat is dirty, stuck or broken.
ACTION
 1. Shut off the cold water supply. If leakage stops, the problem is on the cold side. If leakage continues, the problem is on the hot side. Shut off the hot water supply to determine if both the cold and hot sides have a problem.

